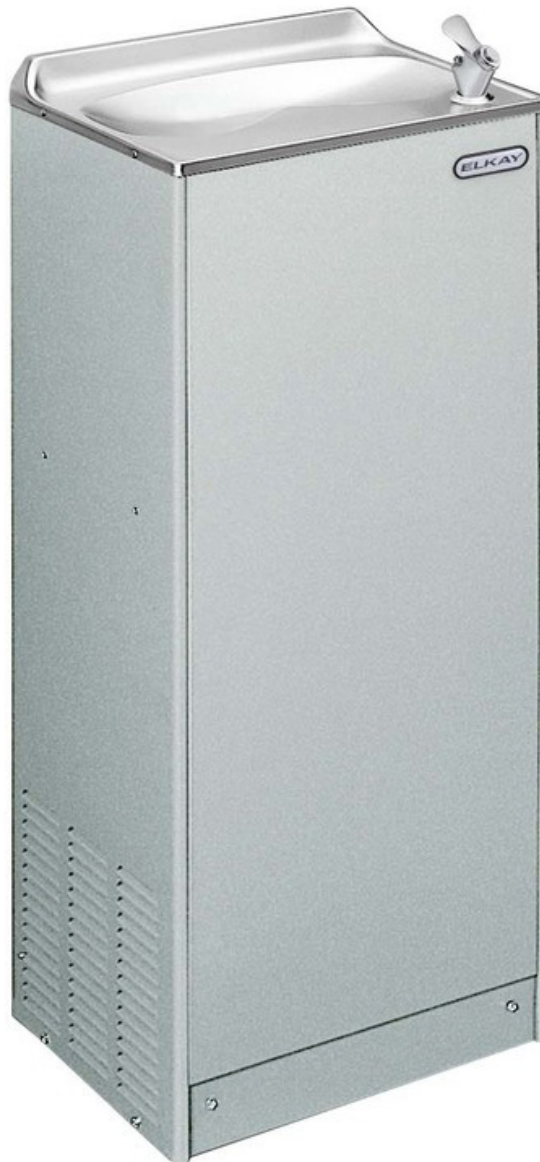


ELKAY®

INSTALLATION, CARE & USE MANUAL

EFWC™ Series Barrier-Free Water Cooler



Note: Danger! Electric shock hazard. Disconnect power before servicing unit.

USES HFC-134A REFRIGERANT

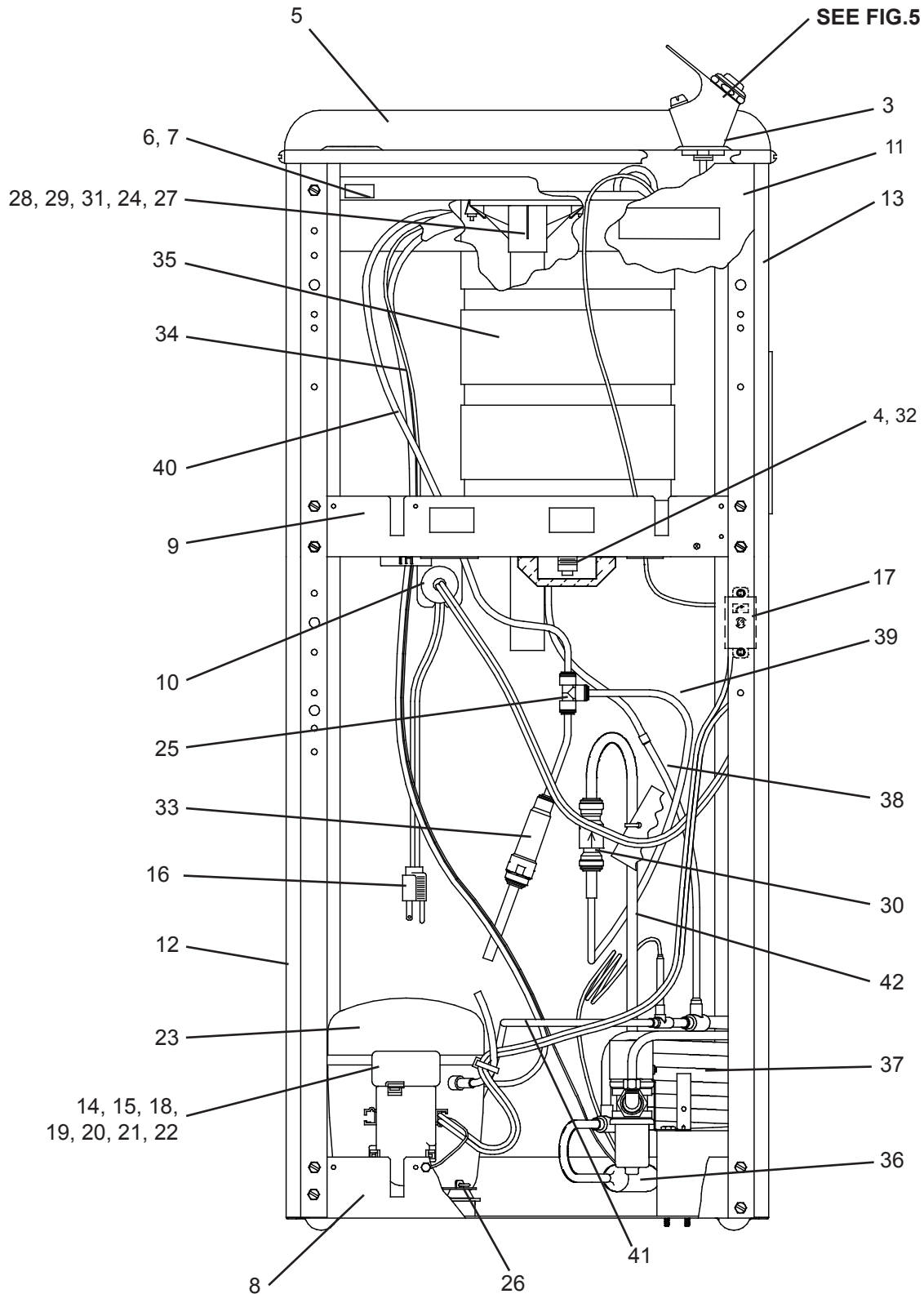


FIG. 1

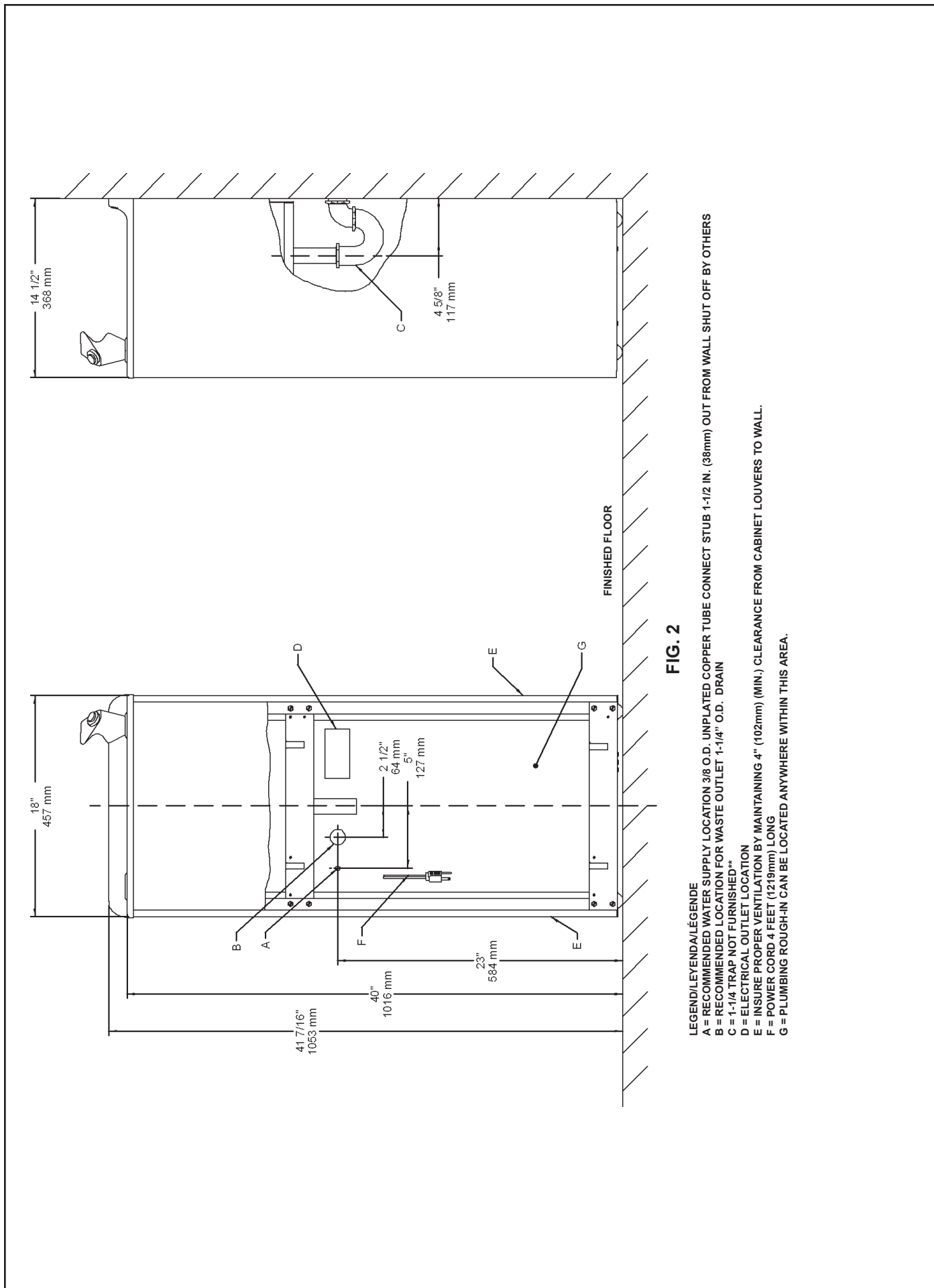


FIG. 2

LEGEND/LEYENDA/LÉGENDE
 A = RECOMMENDED WATER SUPPLY LOCATION 3/8 O.D. UNPLATED COPPER TUBE CONNECT STUB 1-1/2 IN. (38mm) OUT FROM WALL SHUT OFF BY OTHERS
 B = RECOMMENDED LOCATION FOR WASTE OUTLET 1-1/4" O.D. DRAIN
 C = 1-1/4" TRAP NOT FURNISHED**
 D = ELECTRICAL OUTLET LOCATION
 E = INSURE PROPER VENTILATION BY MAINTAINING 4" (102mm) (MIN.) CLEARANCE FROM CABINET LOUVERS TO WALL.
 F = POWER CORD 4 FEET (1219mm) LONG
 G = PLUMBING ROUGH-IN CAN BE LOCATED ANYWHERE WITHIN THIS AREA.

CONDENSER WATER VALVE ADJUSTMENT

The condenser water valve is factory preset for a condenser water outlet temperature of 95° to 105° F. If actual temperature varies greatly from this, readjust water flow rate at the valve using the following procedures.

1. START UP COMPRESSOR

This can be accomplished by depressing the cooler push button. Keep water running during the entire readjustment procedure.

2. ADJUSTMENT CONDENSER WATER VALVE

Adjust valve by rotating adjustment stem. Rotating stem clockwise will increase water flow. Counterclockwise rotation will decrease water flow. Increasing water flow will result in a lower condenser outlet temperature, while decreasing water flow will result in a higher outlet temperature. Proper adjustment is attained when condenser outlet temperature is 95° to 105° F.

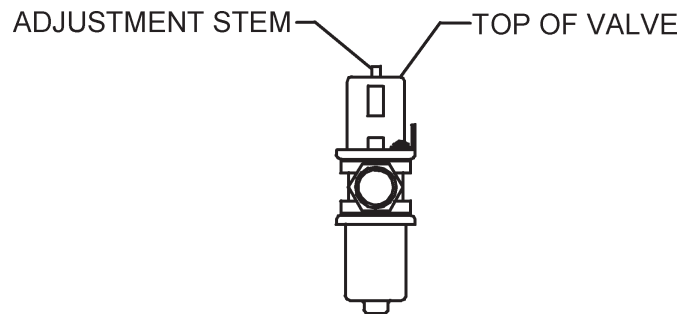


FIG. 3

STREAM HEIGHT ADJUSTMENT: Stream height is factory set at 45-50 PSI. If supply pressure varies greatly from this, remove items Cover Nut & Button (See figure 5) from bubbler assembly and adjust the screw on the regulator (Item 35). Clockwise adjustment will raise stream height and counterclockwise will lower the stream height. A stream height of 1-1/2" (38mm) is recommended.

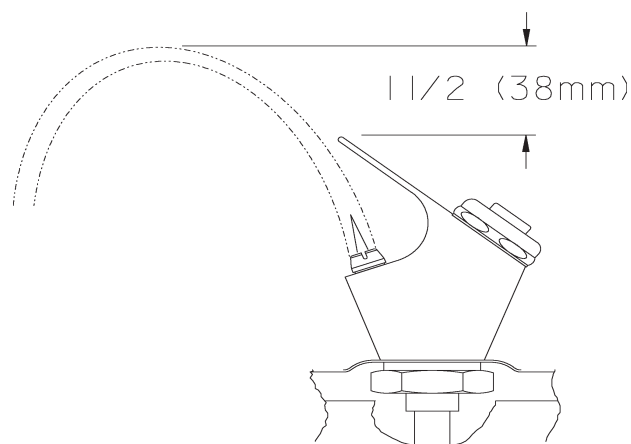


FIG. 4

PARTS LIST 115V

ITEM NO.	PART NO.	DESCRIPTION
1	100002024	Kit - Bubbler Pushbutton
2	45703C	Bubbler Assy
3	15009C	Nipple-Bubbler
4	70772C	Drain Plug
5	27317C	Basin
6	28270C	Brace-Cross Rear
7	28271C	Brace-Cross Front
8	28272C	Baseplate
9	28273C	Shelf
10	28631C	Bracket-Strain Relief
11	28277C	Panel-Front
12	28278C	Panel-LH Side
13	28279C	Panel-RH Side
14	35843C	Relay
15	35840C	Overload
16	36219C	Cord-Power
17	35892C	Cold Control
18	35768C	Cover-Relay
19	35845C	Cap-Capacitor
20	35874C	Clip-Capacitor
21	35844C	Capacitor
22	36095C	Bracket-Capacitor
23	36318C	Compressor Service Pak
24	70750C	Hose Clamp
25	100001994	Kit - 1/4" Tee (3-Pack)
26	000000253	Kit - Compressor Mtg Hardware
27	75603C	Nut Hex SS
28	45718C	Assy-Tailpipe
29	50005C	Gasket-Tailpipe
30	75494C	Check Valve
31	50368C	Drain Receptor
32	70767C	Evaporator Retaining Clip
33	55996C	Strainer
34	98849C	Kit - Heat Exchanger/Drier
35	66685C	Assy-Evaporator
36	66203C	Drier
37	66802C	Assy-WC Condenser
38	66677C	Tube-WC Condenser
39	66693C	Tube-Tee To Check Vlv
40	66679C	Tube-CU 1/4 x 30
41	66680C	Tube-CU 1/4 x 22
42	66681C	Tube-Water Vlv To Check Vlv

*INCLUDES RELAY, OVERLOAD & CAPACITOR. IF UNDER WARRANTY, REPLACE WITH SAME COMPRESSOR USED IN ORIGINAL ASSEMBLY.

NOTE: All correspondence pertaining to any of the above water coolers or orders for repair parts MUST include Model No. and Serial No. of cooler, name and part number of replacement part.

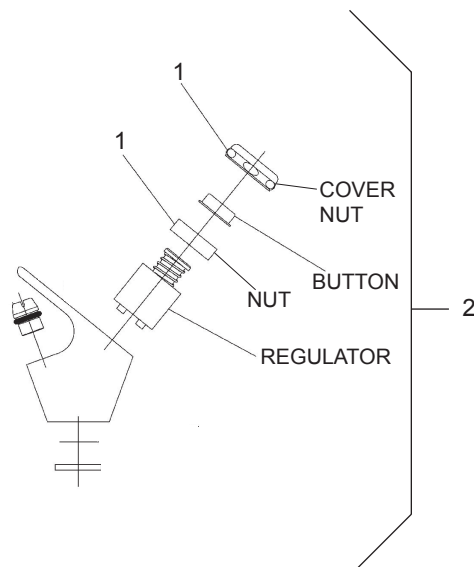


FIG. 5

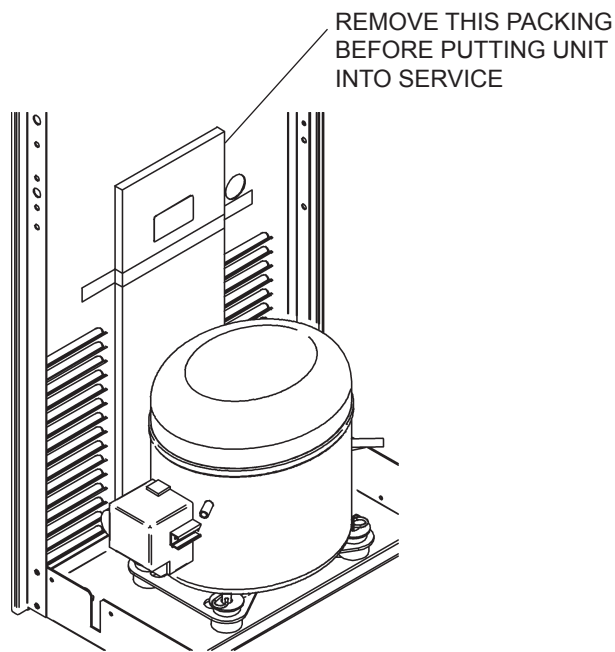


FIG. 6