



model VRKH01  
Sensor

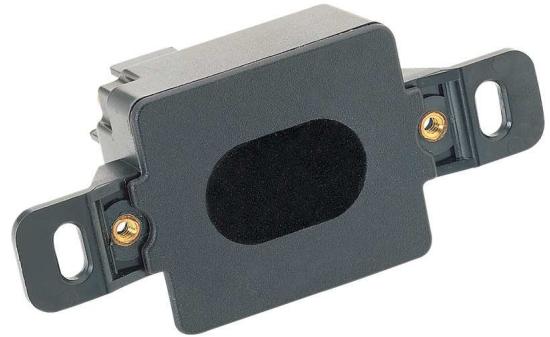
## FEATURES & BENEFITS

---

## OPTIONS

---

For more information, visit [www.hawsc.com](http://www.hawsc.com) or call (888) 640-4297.



## SPECIFICATIONS

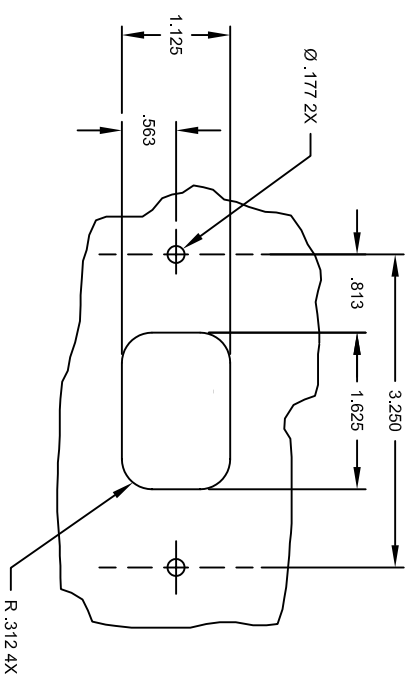
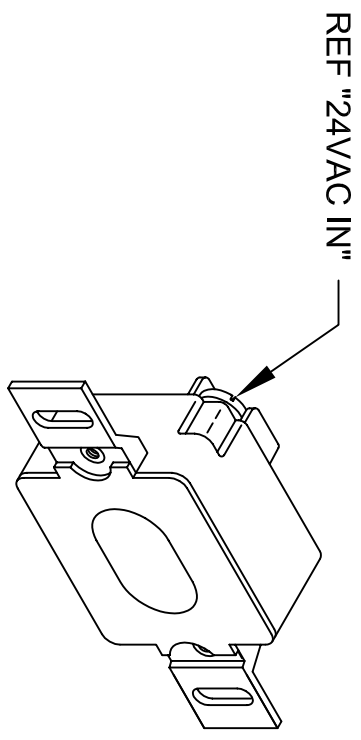
---

Model VRKH01 operates as an electronic eye, emitting a continuous beam of infrared light from the transmitting sensor. When user enters sensor's range, the signal activates the water stream. Built-in delay mode prevents activation by passers-by. A 30-35 second "maximum on" safeguards against accidental or malicious blocking of sensor and sensor burn-out. When blockage is removed, sensor automatically resets. Complete wiring harness furnished with each unit. Sensor is standard on extended bracket only.

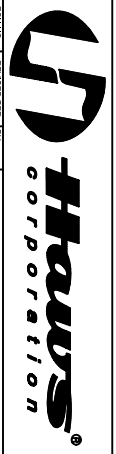
## APPLICATIONS

---

\* MUST BE USED IN CONJUNCTION WITH 24VAC TRANSFORMER AND SOLENOID



PANEL CUT-OUT



1455 KLEPPE LANE  
 SPARKS, NEVADA 89431  
 (775) 359-4712 FAX (775) 359-7424  
 E-MAIL: HAWS@HAWS.CO.COM  
 WEBSITE: WWW.HAWS.CO.COM

|                    |           |          |    |                       |    |      |    |
|--------------------|-----------|----------|----|-----------------------|----|------|----|
| FIG. NO. 1370      | REVISIONS | DATE     | BY | DATE                  | BY | DATE | BY |
| 1370               | ECH: 1628 | 05/10/94 | GE |                       |    |      |    |
| Q. EX. LINE        | APPROVER  |          |    |                       |    |      |    |
| MODEL(S):          |           |          |    | SENSOR, 24VAC H.O.    |    |      |    |
| INFO. FAX, DOC. #: |           |          |    | INSTALLATION/FABR/CAT |    |      |    |
| PART NO.:          |           |          |    | 0002080407.D          |    |      |    |
| REV.:              |           |          |    | 11393C00              |    |      |    |
| SIZE:              |           |          |    | A                     |    |      |    |
| SHEET:             |           |          |    | 1 OF 1                |    |      |    |