



Illustrated Parts Breakdown

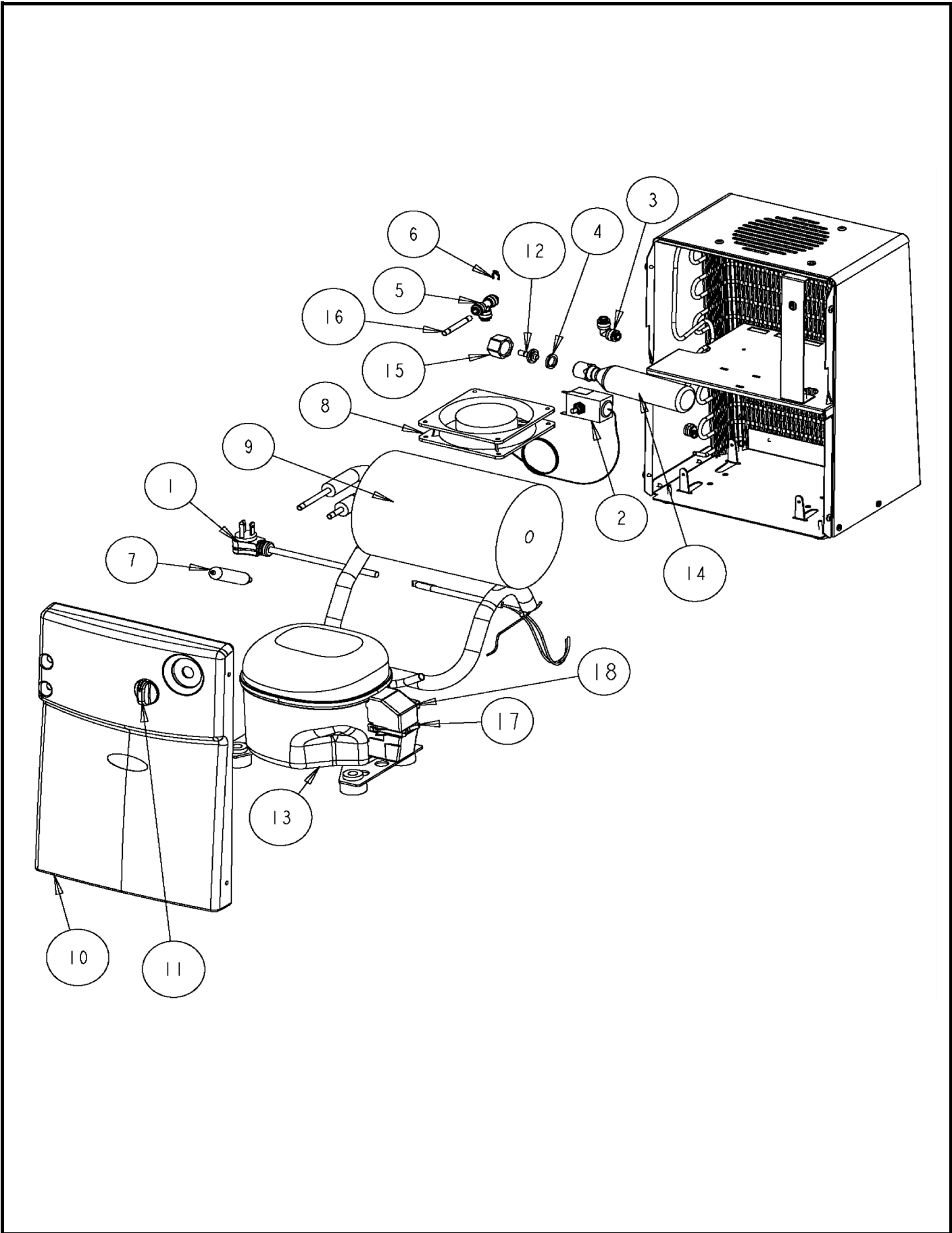


Specifications:

Model: R1P

Voltage	115VAC, $\pm 10\%$, 1 PH, 60 Hz
Size	14-5/8" H, 10-5/16" W, 8-23/32" D
Shipping Weight	30 lbs.
Cold Water Capacity*	1 GPH
Compressor	1/20 hp
Compressor (Full Load)	
Huayi or Danfoss	1.2 amps
Refrigerant	134a
Refrigerant Charge	1.8 oz.

* A.R.I. Ratings: Room Temperature 90°F; Supply Water Temperature 80°F; Drinking Water Temperature 50°F

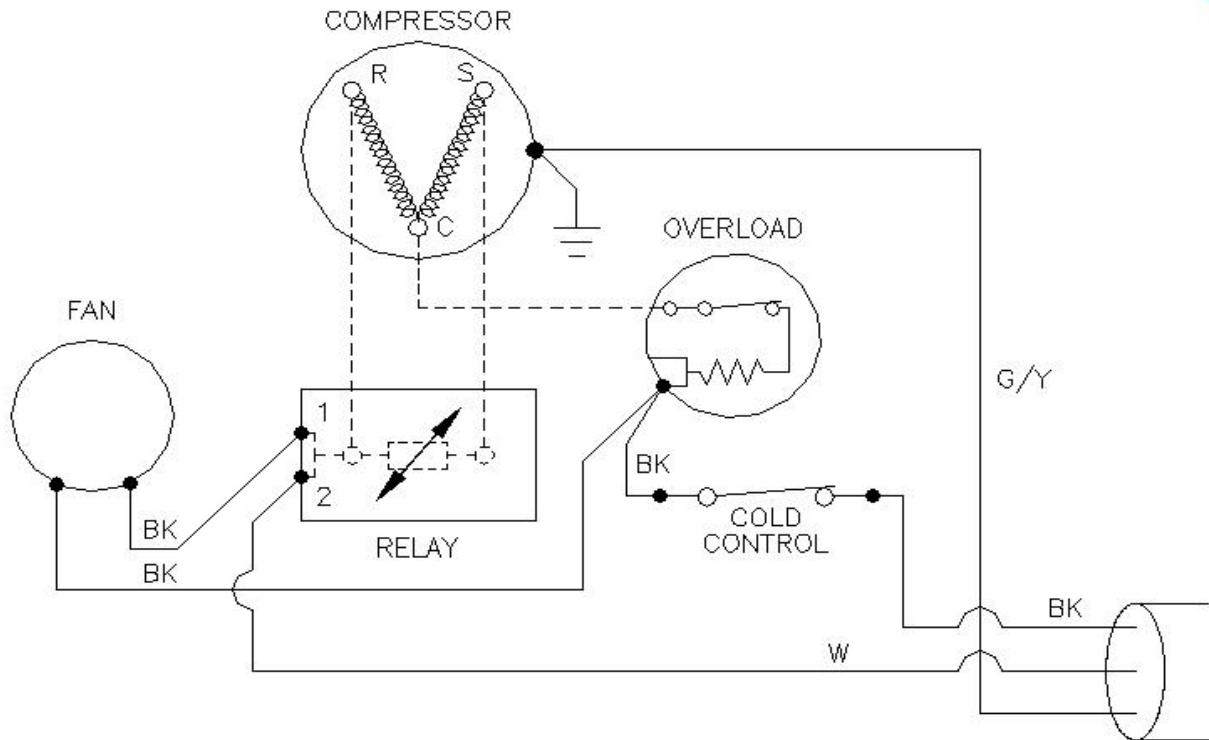


Parts List

Item #	Description	R1P
1	Service Cord	026540-054
2	Control, Cold	027040-043
3	FTG, PP Union Elbow	028481-101
4	Washer/Spacer/Gasket	028706-048
5	FTG, PP Union Tee	029199-103
6	Clip, Locking JG 1/4 OD	030166-002
7	Drier	034343-002
8	Fan	035545-003
9	Cooling Tank, Insulated	035552-101
10	Front	035556-001
11	Knob	035575-001
12	Tube, Shank	036399-015
13	Compressor Assy., HUAYI B25H5	036904-001
14	Expansion Tank	038018-002
15	Nut, Shank FTG 1/2"	038330-002
16	Tube, Water Inlet	038425-001
17	Relay - HAUYI B25H5 & AES-25DS	036056-001
	Relay - Danfoss TT2.5F	033726-001
	Relay - LG NS24LACG	AA00017-G3
18	Overload - HUAYI B25H5	036903-001
	Overload - HUAYI AES-25DS	036055-001
	Overload - Danfoss TT2.5F	028707-007
	Overload - LG NS24LACG	AA00017-G1

Wiring Diagram

R1P



● — TERMINATION POINT

OASIS International
222 East Campus View Blvd · Columbus, Ohio 43235 U.S.A.
1-800-64-OASIS (1-800-646-2747)
www.oasiscoolers.com

© 2016 OASIS International