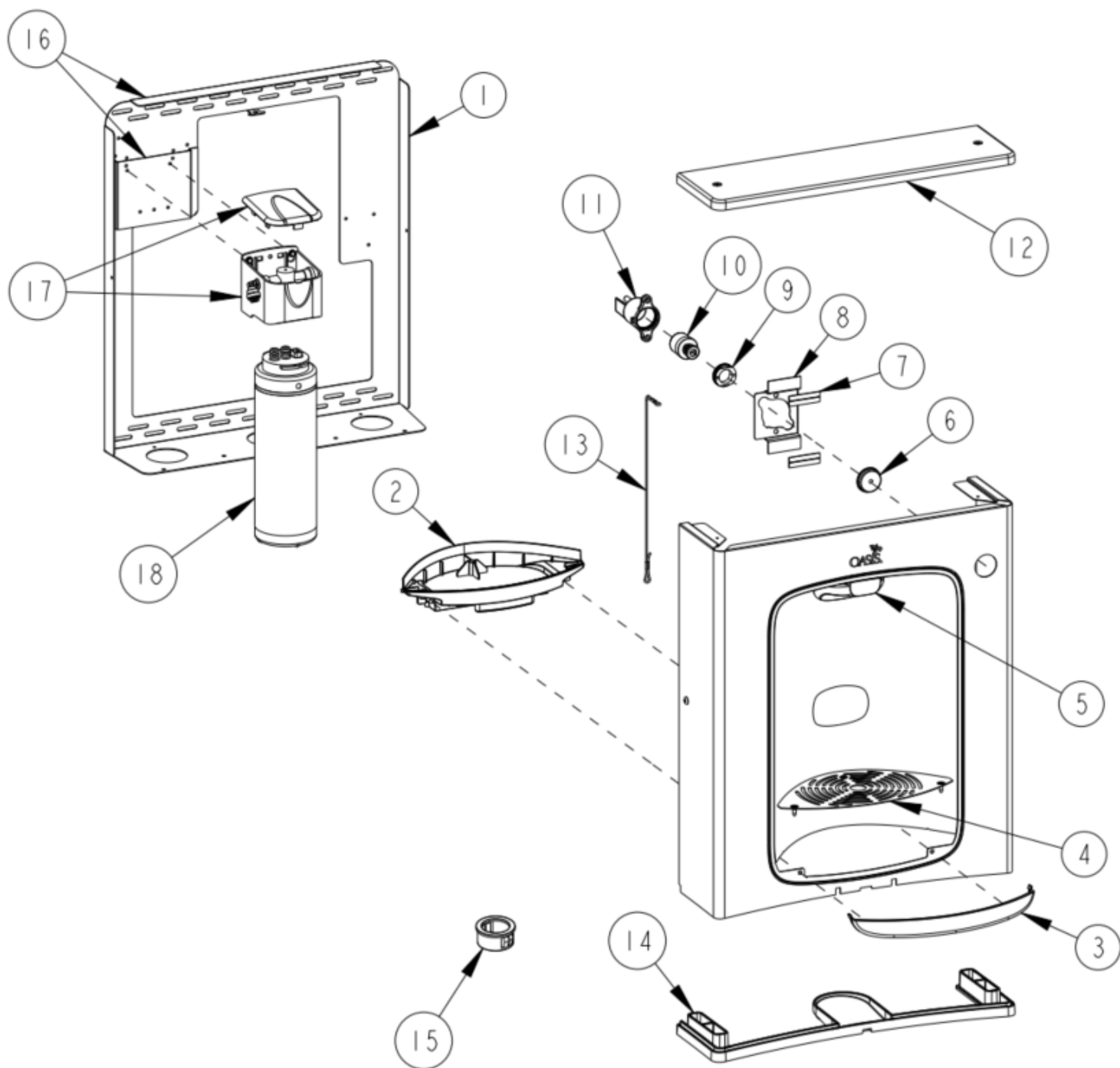


PWSBF-002, PWFSBF-002 Illustrated Parts Breakdown



PWSBF-002, PWFSBF-002 Illustrated Parts Breakdown

ITEM	QTY	P/N	Description
1	1	036687-003	FRAME
2	1	042371-001	DRIPTRAY, RETRO
3	1	042370-001	COVER, FRONT
4	1	042374-001	GRILLE, DRIPTRAY
5	1	041405-001-SP	ASM, VHB ALCOVE
6	1	038273-001	PUSH BUTTON
7	6.6"	041370-002	TAPE, VHB
8	1	041494-001	BRACKET, CARTRIDGE

ITEM	QTY	P/N	Description
9	1	A020957	NUT, RETAINING PLASTIC
10	1	029967-005	CARTRIDGE, 4.25# SPRING
11	1	035990-001	HOLDER, CARTRIDGE
12	1	036686-001	CAP, PWSBF
13	1	032459P008	LANYARD, BOTTLE FILLER
14	1	036689-001	GASKET, PWSBF
15	1	027189-008	BUSHING, SNAP 7/8"

PWFSBF Only			
16	1	041410-002	FILTER BRACKET FRAME ASSEMBLY
17	1	041146-001	FILTER HEAD ASSEMBLY,SINGLE STAGE
18	1	041145-001	FILTER CARTRIDGE, VERSAFILTER III

© 2023 LVD Acquisition, LLC

Oasis, Aqua Pointe, Versacooler and VersaFiller are registered trademarks of LVD Acquisition, LLC dba Oasis International

041365-004, Date: 7/2023



OASIS INTERNATIONAL
 222 East Campus View Blvd.
 Columbus, OH 43235
 614-861-1350
 www.oasiscoolers.com