



Illustrated Parts Breakdown

Models: **PLF8SKPE-D101, PLF8SKTP-D101**
PLF8SKPE-D102, PLF8SKTP-D102
PLF8SKTP-D103, HCWCD8-D102
HCWCD8-D103

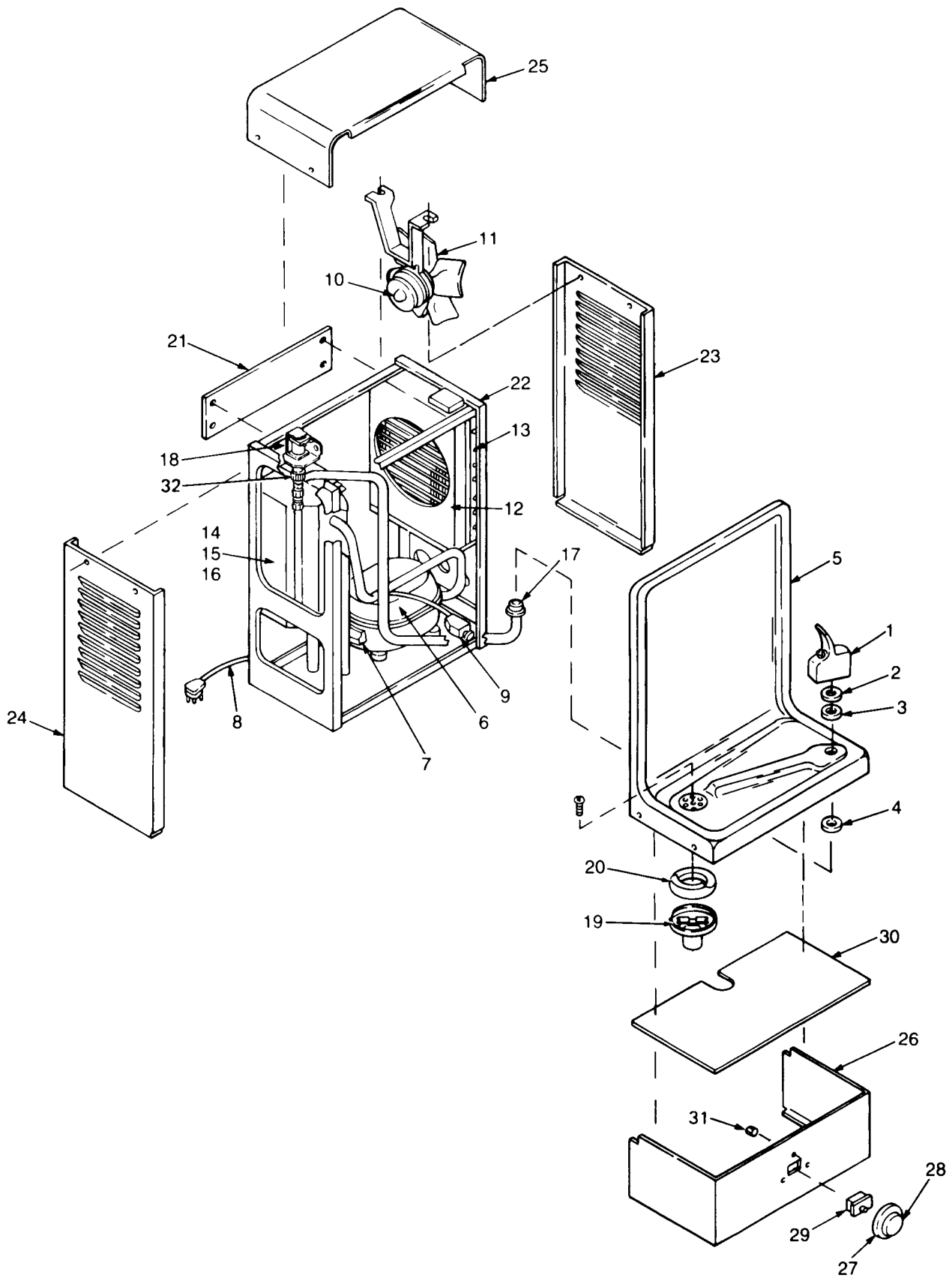


SPECIFICATIONS

Voltage	115 VAC \pm 10%/1PH/60 Hertz
Size (Approx)	26-1/2" H., 17-1/2" W., 18-1/2" D.
Shipping Weight (Approx)	70 LBS.
Cold Water Capacity *	8 GPH
Compressor	1/5 HP
Compressor (Full Load)	4.3 Amps
Refrigerant	134A
Refrigerant Charge	7.5 OZ.

* A.R.I. Rating: Room Temperature 90°F; Supply Water Temperature 80°F; Drinking Water Temperature 50°F. Based on standard test procedures.

Specifications subject to change without notice.



PARTS LIST

ITEM NO.	DESCRIPTION	PLF8SKPE-D101 PLF8SKPE-D102	PLF8SKTP-D101 PLF8SKTP-D102 PLF8SKTP-D103 HCWCD8-D102 HCWCD8-D103
1	12000A Bubbler Valve	030774-008	030774-008
2	Valve Body Gasket	028706-006	028706-006
3	Friction Washer	028706-013	028706-013
4	Bubbler Spud Gasket	028706-001	028706-001
5	* Simulated Recessed Top – Stainless Steel	028849-001	028849-001
6	Compressor Assembly (Includes Item 7)	032834-006	032834-006
7	Overload/Relay Combination	032836-001	032836-001
8	Service Cord	026540-045	026540-045
9	Cold Control	027040-007	027040-007
10	Fan Motor	027354-038	027354-038
11	Fan Blade	022977	022977
12	Shroud	029125-001	029125-001
13	Condenser	029111-002	029111-002
14	Insulated Cooling Tank Assembly	029108-007	029108-007
15	Cooling Tank Insulation LH	028661-001	028661-001
16	Cooling Tank Insulation RH	028660-001	028660-001
17	Bubbler Supply Spud	028701-001	028701-001
18	Solenoid Valve	029819-002	029819-002
19	Waste Assembly	036009-002	036009-002
20	Waste Gasket	018050	018050
21	Hanger Bracket	016698-002	016698-002
22	Frame Assembly	022967	022967
23	* Right Side Panel – Sandstone	022979-004	022979-004
	Right Side Panel – Stainless Steel	023036	023036
24	* Left Side Panel – Sandstone	022980-004	022980-004
	Left Side Panel – Stainless Steel	023035	023035
25	* Cap – Sandstone	031068-007	031068-007
	Cap – Stainless Steel	031068-003	031068-003
26	* Wrapper – Sandstone	031069-206	---
	Wrapper – Stainless Steel	031069-202	---
	* Wrapper – SAN TP	---	031069-306
	Wrapper – STN TP	---	031069-302
27	Bezel	024816	024816
28	Push Button	024817	024817
29	Switch	024764	024764
30	Support Plate	023391	023391
31	Self Threading Hex Nut	020203	020203
32	Fitting, 3/8 FL X 1/4 FPT (Solenoid Valve Inlet and Outlet)	022326-001	022326-001

Not Shown

Refrigerant Drier	034343-003	034343-003
-------------------------	------------	------------

* All Sandstone Panels are Power Coated

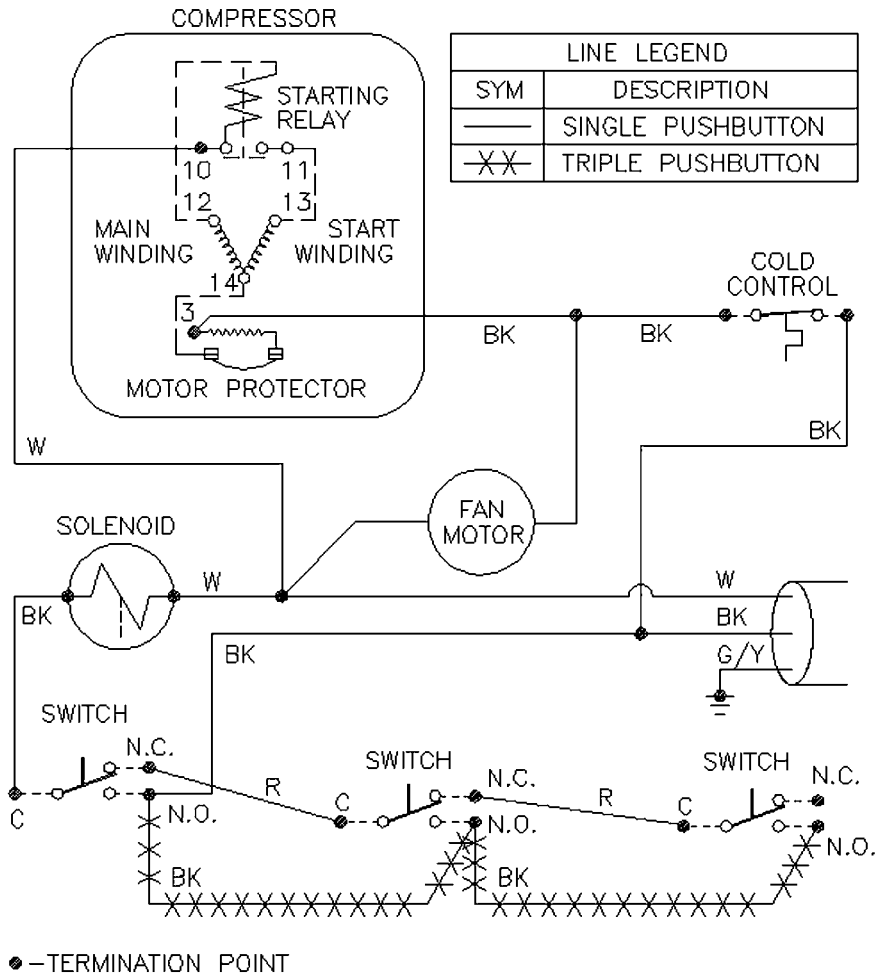
* Part # 028849-001 Top is discontinued.

Top Replacement Kit in Sandstone is Part # 036403-011

Top Replacement Kit in Stainless is Part # 036403-014

This includes a shorter top and triple push button wrapper.

ELECTRICAL DIAGRAMS



OASIS International

222 East Campus View Blvd - Columbus, OH 43235
 614/861-1350 - Fax: 614/322-4557
www.oasiscoolers.com
www.oasis-parts.com