



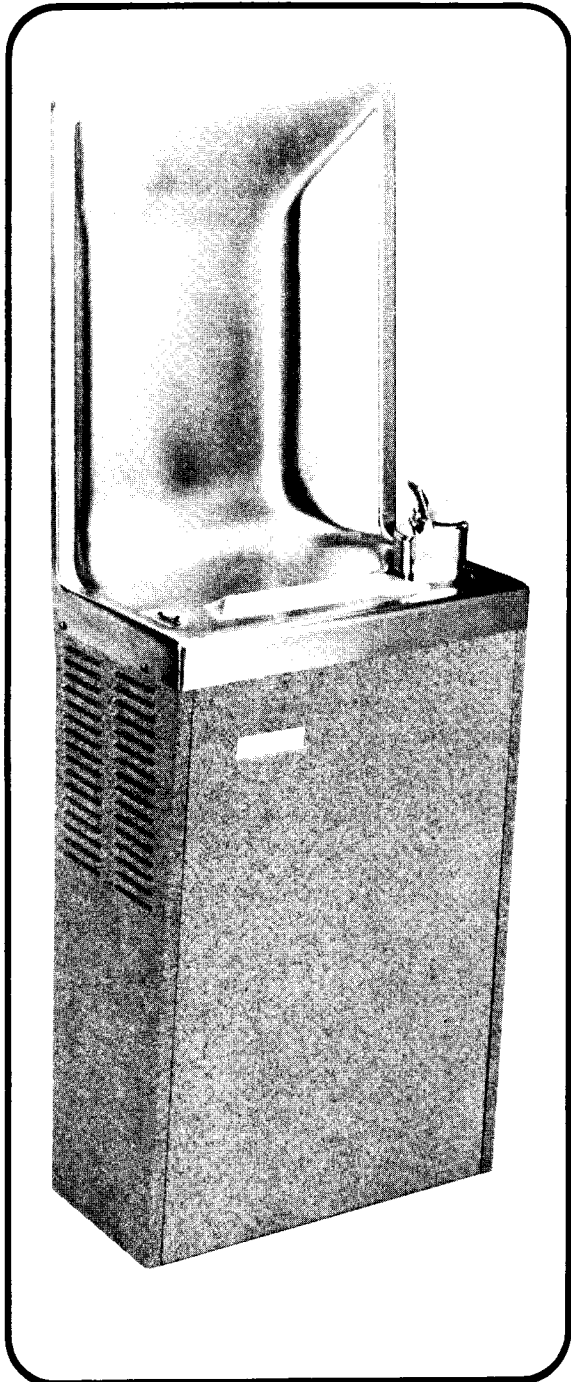
AQUARIUS

Kelvinator

White-Westinghouse®

ILLUSTRATED PARTS BREAKDOWN

**WATER COOLER MODELS:
PLF8S-100 PLF14S-100**

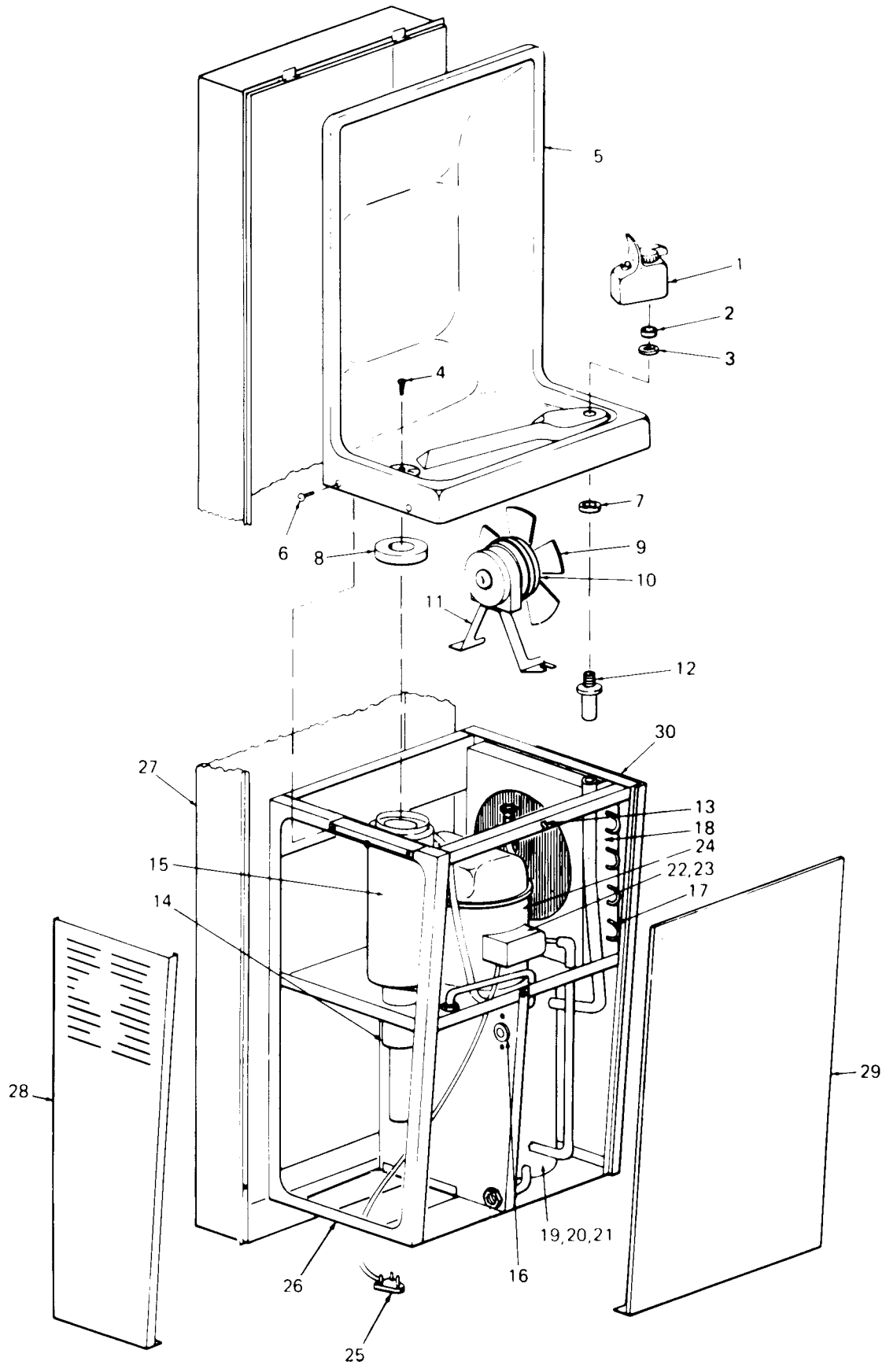


SPECIFICATIONS

Voltage	115 VAC ±10%/1PH/60 Hertz
Size (Approx)	45" H., 17" W., 10" D.
Shipping Weight (Approx)	71 LBS.
Cold Water Capacity	8 and 14 GPH
Compressor	1/5 HP
Compressor (Full Load)	5.0 Amps
Refrigerant	134A
Refrigerant Charge	5 OZ. (142 GRAMS)

* A.R.I. Rating: Room Temperature 90°F; Supply Water Temperature 80°F; Drinking Water Temperature 50°F.

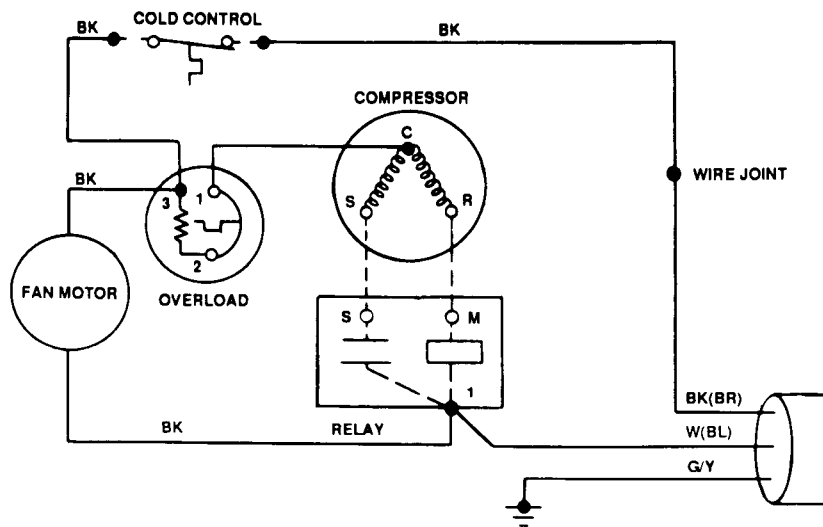
Specifications subject to change without notice.



PARTS LIST

ITEM NO.	DESCRIPTION	PLF8S	PLF14S
1	12000A Valve Assembly	030774-002	030774-002
2	Valve Body Gasket	028706-006	028706-006
3	Friction Washer	028706-013	028706-013
4	Drain Screw	026655-002	026655-002
5	Semi-Recessed Top	028850-001	028850-001
6	Top Screw	026630-005	026630-005
7	Gasket (Under Top)	028706-001	028706-001
8	Waste Gasket	018050	018050
9	Fan Blade	022977	022977
10	Fan Motor	027354-026	027354-026
11	Fan Motor Bracket	018559	018559
12	Bubbler Supply Spud	028701-002	028701-002
13	Cable Clip	018156-001	018156-001
14	Precooler or Waste Drain	025161	025198-002
15	Precooler Insulation	018073-004	018059-010
16	Cold Control	027040-007	027040-007
17	Condenser	029658-002	029658-002
18	Condenser Shroud	018955	018955
19	Insulated Cooling Tank Assembly	028883-009	028882-006
20	Cooling Tank Insulation (LH)	028661-001	028661-001
21	Cooling Tank Insulation (RH)	028660-001	028660-001
22	Relay	031698-001	031698-001
23	Overload	031697-001	031697-001
24	Compressor (Includes 22 and 23)	031525-003	031525-003
25	Service Cord	026540-040	026540-040
26	Frame Assembly	028983-001	028983-001
27	Wall Mounting Box Assembly	020530	020530
28	Left Side Panel – Stainless Steel	018963L	018963L
	Left Side Panel – Sandstone	018961-003	018961-003
29	Front Panel – Stainless Steel	019646	019646
	Front Panel – Sandstone	019644-002	019644-002
30	Right Side Panel – Stainless Steel	018963R	018963R
	Right Side Panel – Sandstone	018961-004	018961-004
NOT SHOWN			
	Refrigerant Drier	031593-003	031593-003

ELECTRICAL DIAGRAM



OASIS® & AQUARIUS® are registered trademarks of EBCO Manufacturing Company
 The trademarks Kelvinator® and White-Westinghouse® are used under license from White Consolidated Industries, Inc.

EBCO® **MANUFACTURING COMPANY**

265 N. Hamilton Rd. • P.O. Box 13150 • Columbus, OH 43213-0150 • 614/861-1350 • Fax: 614/861-5017

Printed in U.S.A.
 Copyright 1994 EBCO Manufacturing Co.