

Barrier Free Wall Mounted Water Coolers

NWCA8N

MODEL

- NWCA8N delivers 8 gph of chilled drinking water

FEATURES

Standard

- Granite powder coated steel cabinet with satin finish stainless steel basin
- Non-squirt bubbler with flexible guard
- Self-closing water valve operated by front or side push bars requiring less than 5 pounds force to activate
- Four foot (4') insulated power cord with NEMA 5-15 plug
- Tube-on-tube, self cleaning design
- HFC Refrigerant R-134a
- Operates from 20 to 90 psig dynamic water pressure

ADA

- Wheelchair accessible
- When properly installed, complies with frontal approach and protruding object requirements

OPTIONS (at additional charge)

Glass Fillers

- Stainless steel cabinet
- Glass Filler
 - Cold glass filler mounted on left side of basin
 - Push back 029603-005
 - Push down 029603-006
 - Push Lever 029603-004



SUGGESTED SPECIFICATION*

Pressure drinking water cooler shall deliver at least ___ GPH (___ LPH) of water at 50°F (10°C) cooled from 80°F (26.7°C) inlet water at 90°F (32.2°C) ambient. Water system shall be non-pressurized. An internally mounted valve and adjustable stream regulator shall control water flow. Bubbler shall have flexible guard, have a non-squirt feature and a lever handle shall activate water flow. Bubbler shall provide smooth steady water flow by means of integral regulator that operates from 20 to 120 psig supply pressure. Evaporator shall be tube-on-tube type and shall have both copper water and refrigerant coils encapsulated in insulation. R-134a refrigeration system shall be hermetically sealed and refrigerant flow shall be capillary tube controlled. An adjustable thermostat having an off position shall control refrigeration system. Stainless steel top shall have an integral drain strainer. Potable water system components shall comply with the Safe Drinking Water Act Amendments and the 1988 Lead Contamination Control Act. Chilled water capacity shall be rated in accordance with industry standards. Drinking water coolers shall comply with ANSI A117.1-1992 and ADA frontal approach and protruding object requirements. When properly installed, meets all TAS standards for children's frontal approach. Drinking water cooler shall be Sunroc model NWCA8N.

***All specifications subject to change without notice**



Certified to
ANSI/NSF 61/ Section 9

Model	Certified Capacities*		Hot Tank Available	Pre-Cooler	115 volts, 60Hz		Glass Filler Accessory Option	Cabinet Color Options
	Cooling Capacity GPH (LPH)	Base Rate GPH (LPH)			Full Load Amps	Rated Watts		
NWCA8N	7.7 (29.2)	-	No	No	4.5	415	Yes	Yes

*Capacities are at industry standard rating conditions of 50° F (10° C) outlet water, 80° F (26.7° C) inlet water and 90° F (32.2° C) ambient air. Rated per ARI Standard 1010.

Model covered by this specification complies with all known Plumbing Codes. Listed by Underwriters Laboratories Inc.

Five Year Limited Warranty: (Continental United States and Canada only)
Five years from date of installation on parts only.

Components in this fountain are lead free as defined by the Safe Drinking Water Act Amendments of 1986, and the Lead Contamination Control Act of 1988

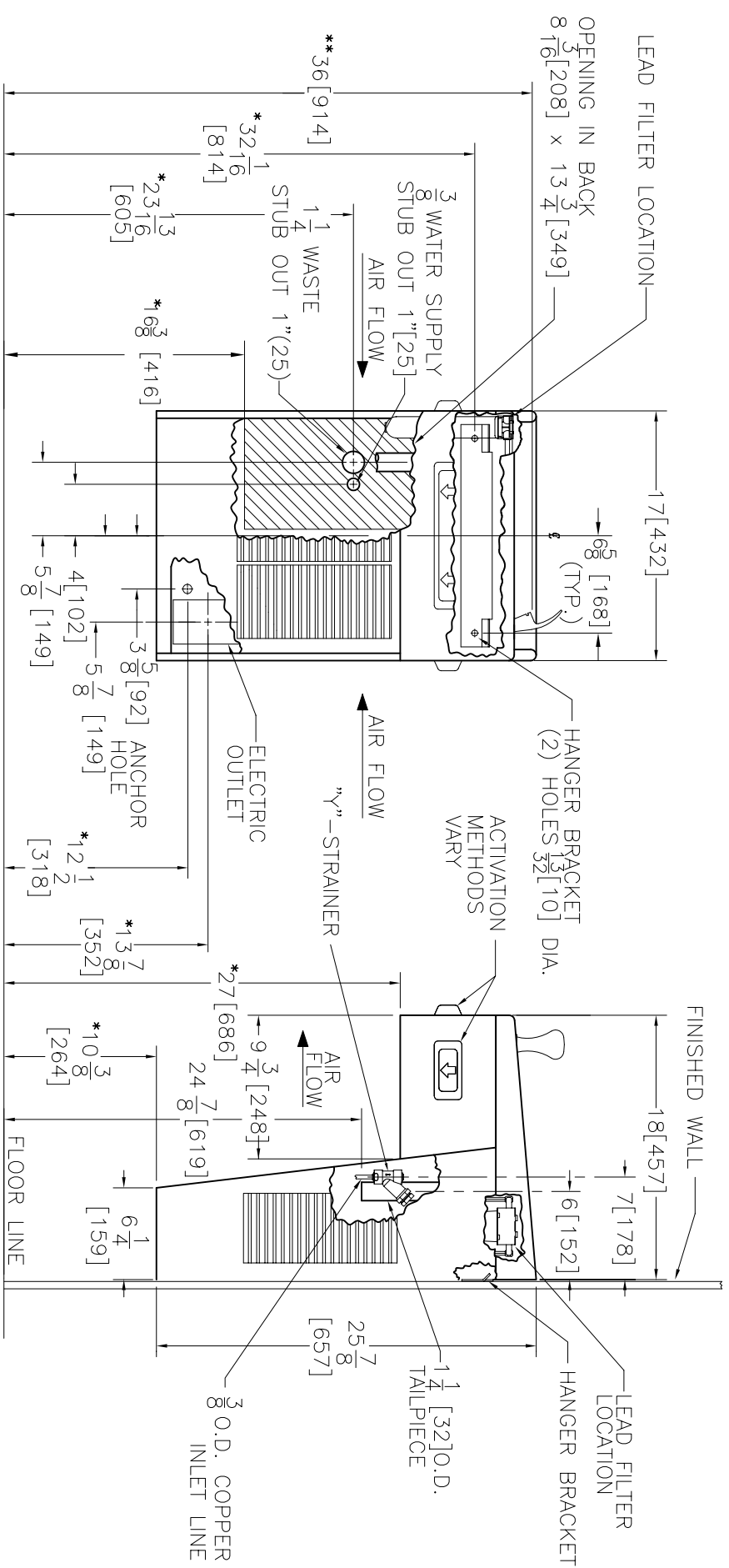
Drinking water fountain is Certified to NSF/ANSI 61.

(614) 861-1350

Form 3005 05/06

www.sunroc.com





NOTE: IMPORTANT!
 COOLER MUST BE SECURED TO WALL WITH ANCHOR HOLE IN LOWER RIGHT CORNER. FAILURE TO DO SO MAY CAUSE VIBRATION OF COOLER.

- GENERAL NOTES**
1. ALL DIMENSIONS ARE IN INCHES [MM].
 2. STOP VALVE, TRAP & ELECTRICAL OUTLET NOT SUPPLIED.
 3. ALLOW 4 INCHES [102] MIN. PER SIDE FOR VENTILATION.
 4. RECOMMENDED ADULT HEIGHT. ADJUST VERTICAL DIMENSIONS TO COMPLY WITH FEDERAL, STATE AND LOCAL CODES.
 - **5. RECOMMENDED SPOUT OUTLET HEIGHT.
 6. POWER CORD FURNISHED WITH NEMA 5-15 PLUG.

