

# HALSEY TAYLOR OWNERS MANUAL

USES HFC-134A REFRIGERANT

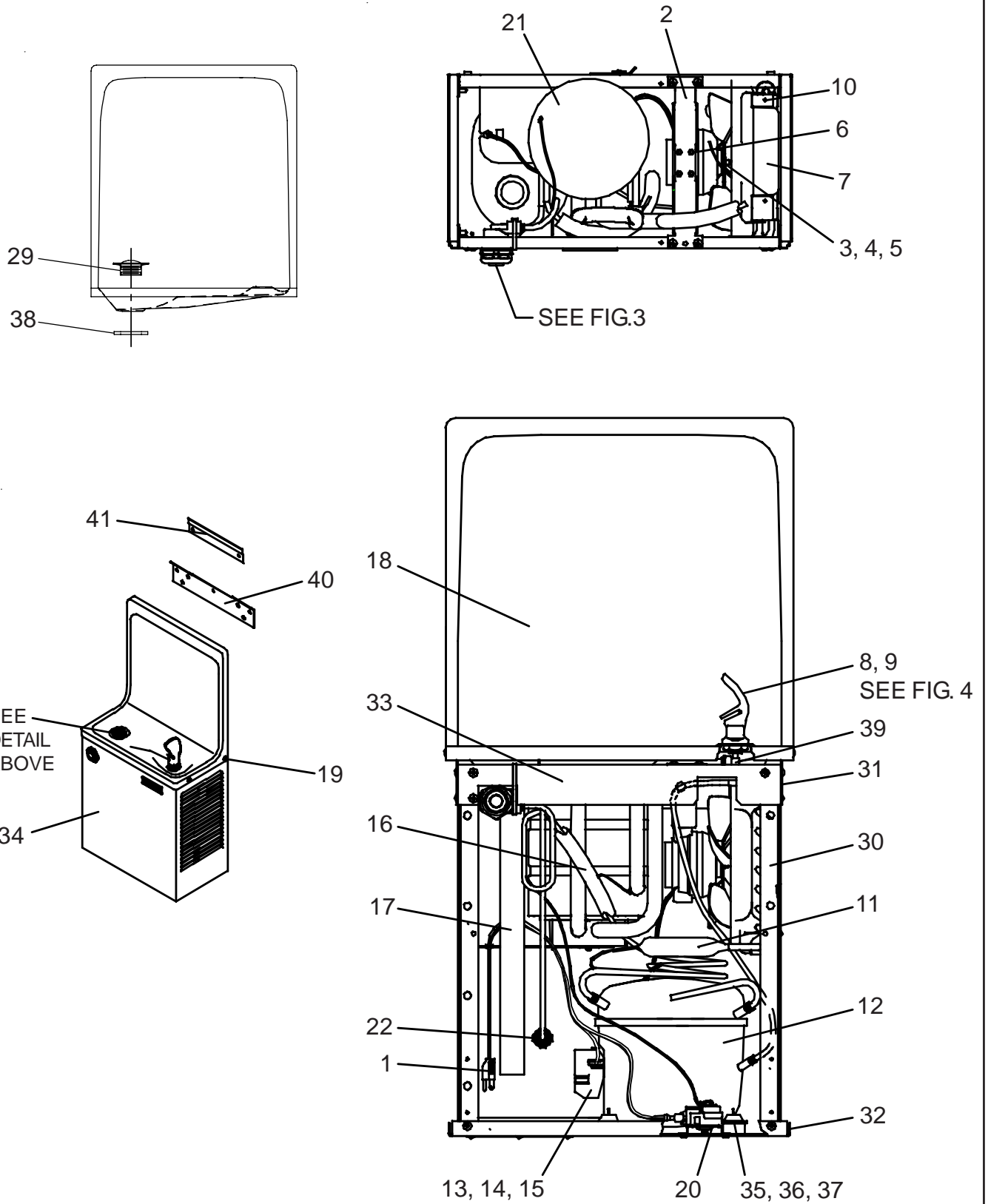
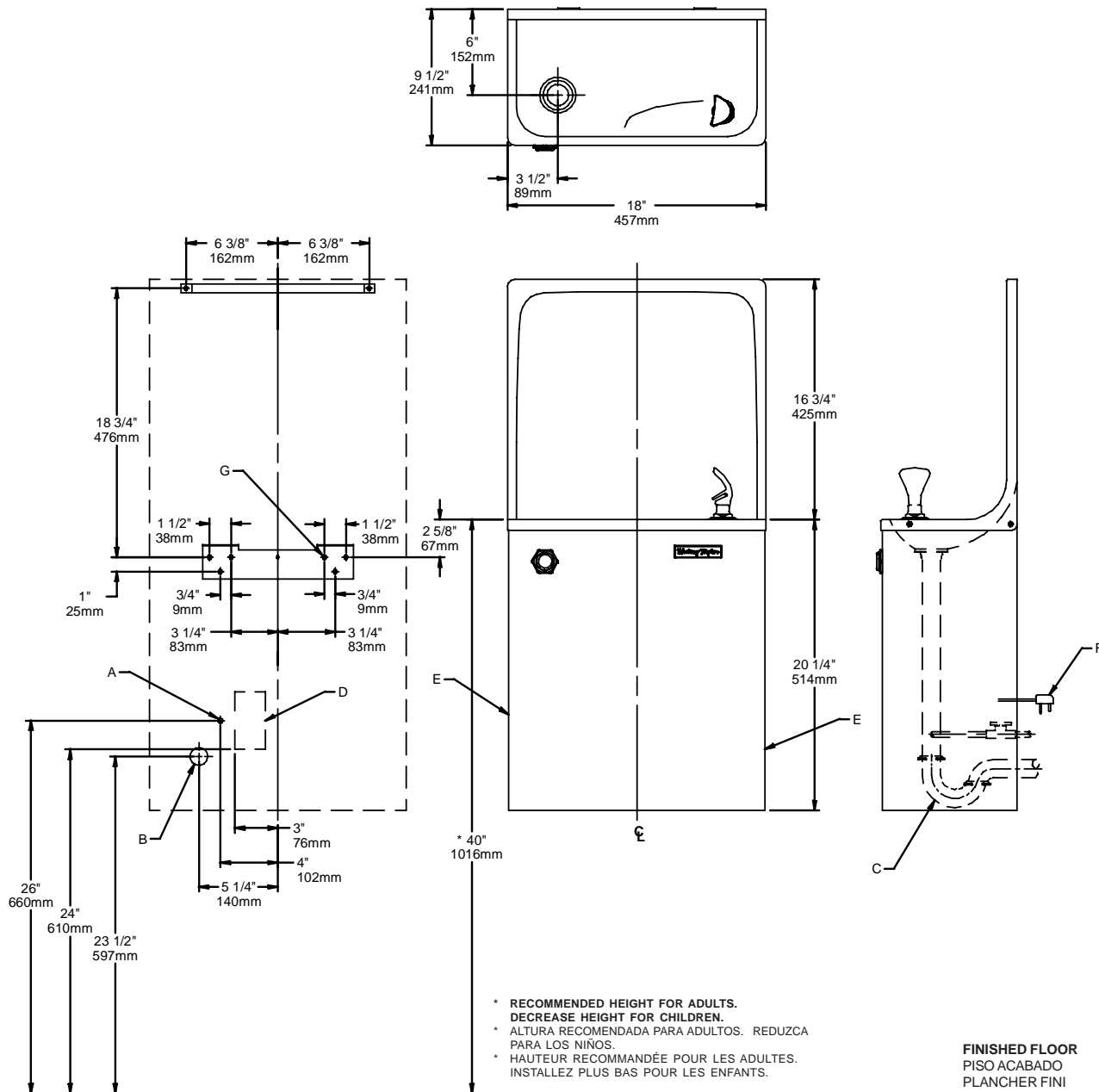


FIG. 1

**NOTE:** Non-refrigerated units do not include all electrical and refrigeration components shown above. Other components and rough-in are the same as shown.



**LEGEND/LEYENDA/LÉGENDE**

- A = RECOMMENDED WATER SUPPLY LOCATION 3/8 O.D. UNPLATED COPPER TUBE CONNECT STUB 1-1/2 IN. (38 mm) OUT FROM WALL SHUT OFF BY OTHERS**  
SE RECOMIENDA UBICAR EL TUBO CORTO DE CONEXIÓN AL TUBO DE COBRE SIN CHAPAR DE 3/8" DE DIÁM. EXT. A 1-1/2" (38 mm) FUERA DE LA LLAVE DE PASO EN LA PARED COLOCADA POR TERCEROS.  
EMPLACEMENT RECOMMANDÉ D'ALIMENTATION EN EAU PAR TUBE EN CUIVRE NON PLAQUÉ DE 3/8 PO. (9,5 mm) D.E. CONNECTANT UNE TUYAUTERIE DE 1-1/2 PO. (38 mm) DEPUIS LE ROBINET D'ARRÊT FOURNI PAR D'AUTRES.
- B = RECOMMENDED LOCATION FOR WASTE OUTLET 1-1/4" O.D. DRAIN**  
UBICACIÓN RECOMENDADA PARA EL DRENAJE DE SALIDA DE AGUA, DE 1 1/4" DE DIÁMETRO.  
EMPLACEMENT RECOMMANDÉ POUR LE DRAIN DE D.E. 1-1/4" DE SORTIE D'EAU.
- C = 1-1/4 TRAP NOT FURNISHED\*\***  
PURGADOR DE 1 1/4 NO PROPORCIONADO\*\*  
SIPHON 1-1/4 NON FOURNI\*\*
- D = ELECTRICAL OUTLET LOCATION**  
UBICACIÓN DE LA TOMA DE ELECTRICIDAD  
EMPLACEMENT DE LA PRISE DE COURANT
- E = INSURE PROPER VENTILATION BY MAINTAINING 4" (102mm) (MIN.) CLEARANCE FROM CABINET LOUVERS TO WALL.**  
ASEGURE UNA VENTILACIÓN ADECUADA MANTENIENDO UN ESPACIO E 4" (102mm) (MÍN.) DE HOLGURA ENTRE LA REJILLA DE VENTILACIÓN DEL MUEBLE Y LA PARED  
ASSUREZ-VOUS UNE BONNE VENTILATION EN GARDANT 4" (102mm) (MIN.) ENTRE LES ÉVENTS DE L'ENCEINTE ET LE MUR.
- F = POWER CORD 1-1/2 FEET (457mm) LONG**  
CABLE ELÉCTRICO DE 1 1/2 PIE, 457 mm DE LARGO  
CORDON D'ALIMENTATION 1-1/2 (457mm)
- G = 5/16" (8mm) SCREW HOLES IN MOUNTING PLATE**  
AGUJEROS DE TORNILLO 5/16" (8mm) EN LA PLACA DE MONTAJE  
TROUS DE VIS 5/16" (8mm) DANS LA PLAQUE DE MONTAGE

**IMPORTANT**

**ALL SERVICE TO BE PERFORMED BY AN AUTHORIZED SERVICE PERSON**

**HANGER BRACKETS & TRAP INSTALLATION**

- 1) Remove hanger brackets fastened to back of cooler by removing screws.
- 2) Mount the hanger brackets and trap as shown in Figure 2.

**NOTE:** Hanger Brackets and trap **MUST** be supported securely. Add fixture support carrier if wall will not provide adequate support.

**IMPORTANT:**

- 5-1/2 in. (140mm) dimension from wall to centerline of trap must be maintained for proper fit.
  - Anchor hanger securely to wall using all mounting holes.
- 3) Install straight valve for 3/8" O.D. unplated copper tube.

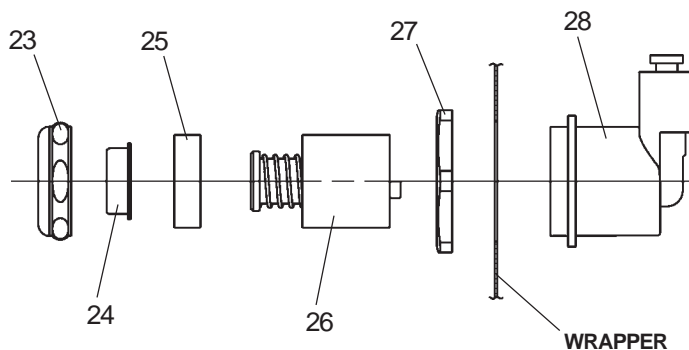
**INSTALLATION OF COOLER**

- 4) Hang the cooler on the hanger brackets. Be certain the hanger brackets are engaged properly in the frame and wrapper.
- 5) Remove the access panel on the underside of the cooler and set it aside.
- 6) Connect water inlet line--See Note 4 of General Instructions.
- 7) Remove the slip nut and gasket from the trap and install them on the cooler waste line making sure that the end of the waste line fits into the trap. Assemble the slip nut and gasket to the trap and tighten securely.

**START UP**

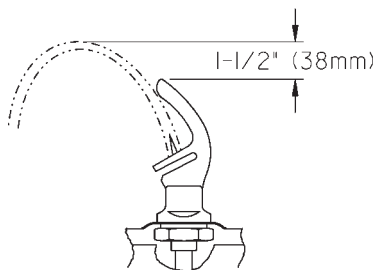
**Also See General Instructions**

- 8) Replace the front panel and secure by retightening all screws.



Stream height is factory set at 35 PSI. If supply pressure varies greatly from this, remove items 23 and 24 and adjust screw on item 26. Clockwise adjustment will raise stream and counter-clockwise adjustment will lower stream. For best adjustment, stream should hit basin approximately 6-1/2" (165mm) from bubbler.

**FIG. 3**



**CORRECT STREAM HEIGHT**

**FIG. 4**

**HBW8AQ\*1L, 2L HBW13AQ\*1L, 2L HBW\*H-L-R**

**ITEMIZED PARTS LIST**

ITEM NO.	PART NO.	DESCRIPTION
1	36208C	Power Cord
2	27095C	Fan Bracket
3	30664C	Fan Blade
4	70018C	Hex Nut - Fan Blade
5	31490C	Fan Motor
6	70009C	Screw (Fan Motor)
7	56237C	Shroud - Fan
8	51544C	Bubbler
9	56159C	Nipple - Bubbler
10	66743C	Condenser
11	66703C	Drier
12*	36094C	Compressor Serv. Pak EMI 70 HNR
13	36158C	Overload
14	35768C	Cover - Relay
15	35959C	Relay
16	66576C	Heat Exchanger
17	45871C	Tailpipe (8 Gal)
	96462C	Precooler Assy (13 Gal)
18	26664C	Basin - Stainless Steel
19	75536C	Screw - Basin Mtg.
20	31513C	Cold Control
21	66534C	Evaporator Assembly
22	55996C	Strainer
23	40089C	Cover
24	40048C	Button
25	15005C	Retaining Nut
26	61313C	Regulator
27	40169C	Hex Nut
28	50986C	Regulator Holder
29	40575C	Strainer & Ferrule Assy
30	27093C	Angle - Front Corners
31	28797C	Bracket - Basin Mounting
32	27097C	Frame - Back/Bottom
33	27094C	Bracket - Front
34	See Color Table	Wrapper
35	50144C	Grommet - Compressor Mtg
36	70184C	Hair Pin - Cotter
37	70418C	Washer
38	50074C	Tailpipe - Gasket
39	70817C	Fitting - Elbow 1/4 Stem
40	20430C	Hanger - Bracket
41	20415C	Hanger - Bracket
NS	56092C	Poly Tubing (Cut to Length)

**220V 50Hz**

ITEM NO.	PART. NO.	DESCRIPTION
1	35827C	Power Cord
5	31430C	Fan - Motor 4w 230V 50/60 Hz
12*	36085C	Compressor Serv. Pak EM 65 220V
13	36195C	Overload
15	36050C	Relay
-	35826C	Power - Inlet

**COLOR TABLE**

PANEL COLOR	Item No. 34 Part No.
Almond Vinyl	21481C
Platinum Vinyl	26943C
Stainless Steel	21013C
Slate Vinyl	26949C

**\*INCLUDES RELAY & OVERLOAD. IF UNDER WARRANTY, REPLACE WITH SAME COMPRESSOR USED IN ORIGINAL ASSEMBLY.**

NOTE: All correspondence pertaining to any of the above water coolers or orders for repair parts MUST include Model No. and Serial No. of cooler, name and part number of replacement part.

**Halsey Taylor**  
 2222 CAMDEN COURT  
 OAK BROOK, IL 60523  
 630.574.3500

PRINTED IN U.S.A. FOR PARTS CONTACT YOUR LOCAL DISTRIBUTOR OR VISIT OUR WEBSITE [WWW.HALSEYTAYLOR.COM](http://WWW.HALSEYTAYLOR.COM)