



model 6608HPS

Access Panel

FEATURES & BENEFITS

OPTIONS

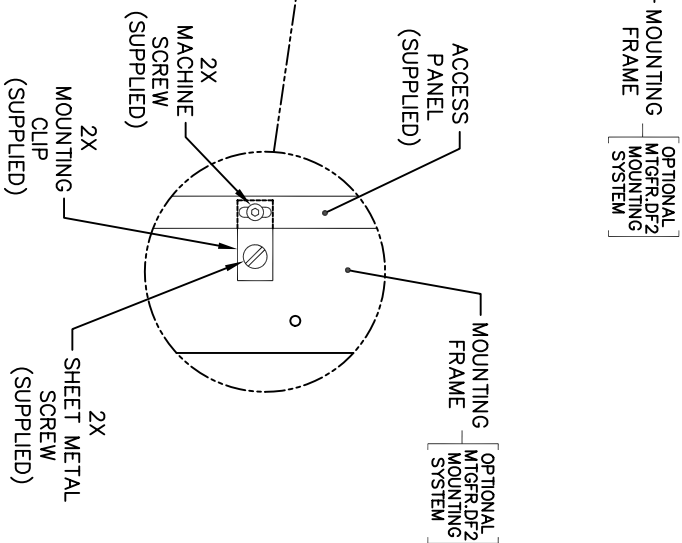
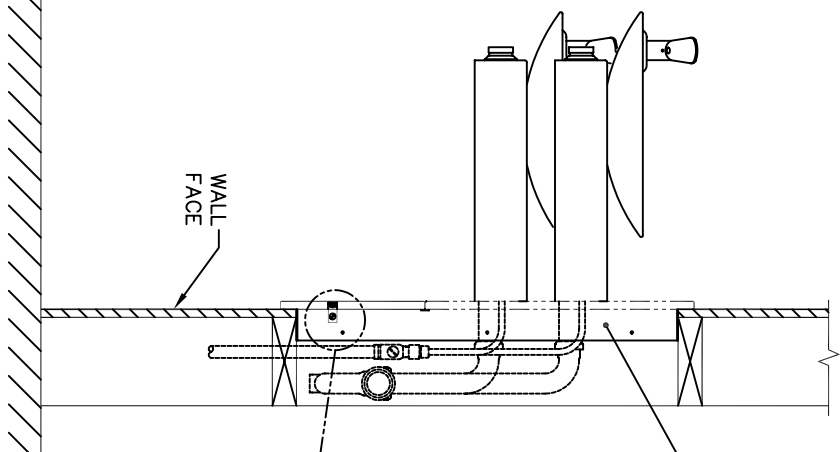
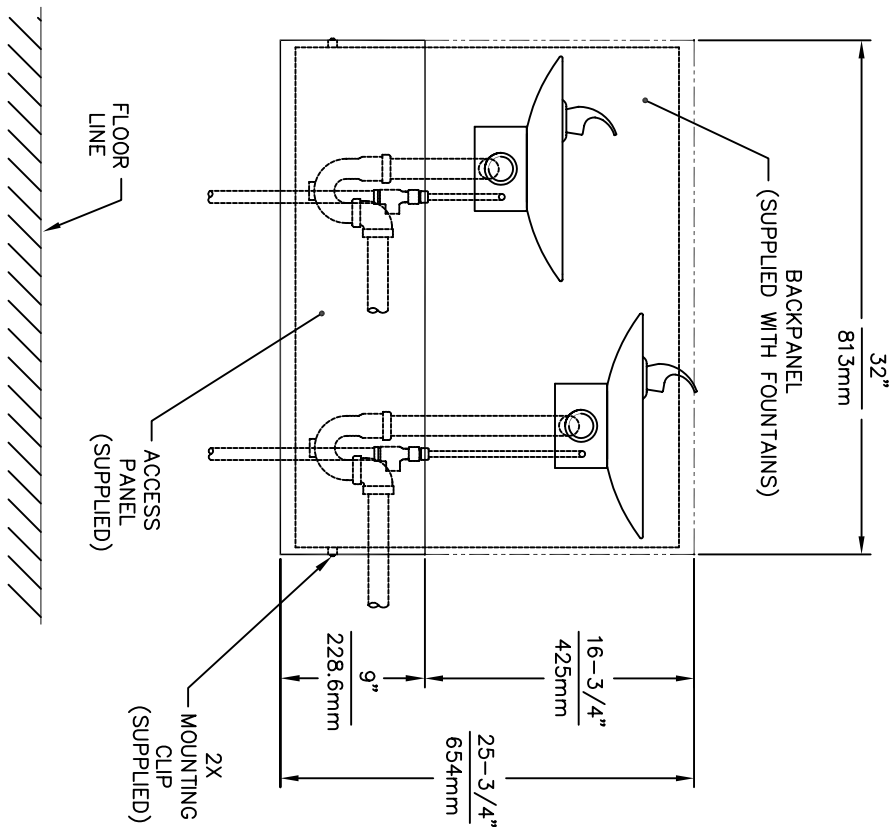
For more information, visit www.hawesco.com or call (888) 640-4297.



SPECIFICATIONS

Model 6608HPS is a 32" x 9" (81.2 x 22.9 cm) access panel designed to facilitate maintenance by allowing easier access to plumbing behind the wall. It is made of high-polished stainless steel for Model 1011HPSMS.

APPLICATIONS



NOTES:

FOR THOSE ACCESS PANELS THAT ARE GOLD PLATED (MODEL 6607), CLEAN WITH A NON-ABRASIVE CLEANER. SUGGEST USING ONE PART LEMON JUICE AND ONE PART WATER OR APPROVED CLEANER FORMULATED FOR CLEANING GOLD PLATING.

Howe's
 INFO FAX : 1-888-FAX-HANS (1-888-329-4297)
 Phone: 405-775-1424
 Fax: 405-775-1424
 Home Ag Building 3 Ch-3401 Burgdorf Switzerland
 Home Ag Pte Ltd 74 Sungei Kadut Loop Singapore 729531
 e-mail: Howe@howsco.com Website: www.howsco.com

DATE: 3/20/00	DATE: 6/97	TITLE: ACCESS PANEL	DATE: 1/31/2000
FILE: 13115C00	MODEL: 8607/8608/8608RHS	INFO FAX DOC #:	13115C00
REV: 1	REV: 1	REV: 1	REV: 2