



model **5060LF**  
Drinking Faucet

## FEATURES & BENEFITS

### VALVE

Polished chrome-plated, lead-free brass, lever handle self-closing valve features screwdriver adjustment stream control.

### QUALITY

Bubbler is pre-built and fully water and pressure tested to ensure no leaks and proper function for reduced installation time and added peace of mind.

### BUBBLER HEAD

Polished chrome-plated brass bubbler head is equipped with a shielded, anti-squirt orifice that provides a steady sanitary source of water.

## OPTIONS

For more information, visit [www.hawsc.com](http://www.hawsc.com) or call (888) 640-4297.



## SPECIFICATIONS

Model 5060LF bubbler valve shall include a polished chrome-plated brass lever handle valve with adjustable stream capabilities, polished chrome-plated brass bubbler head, and 1/2" IPS inlet.

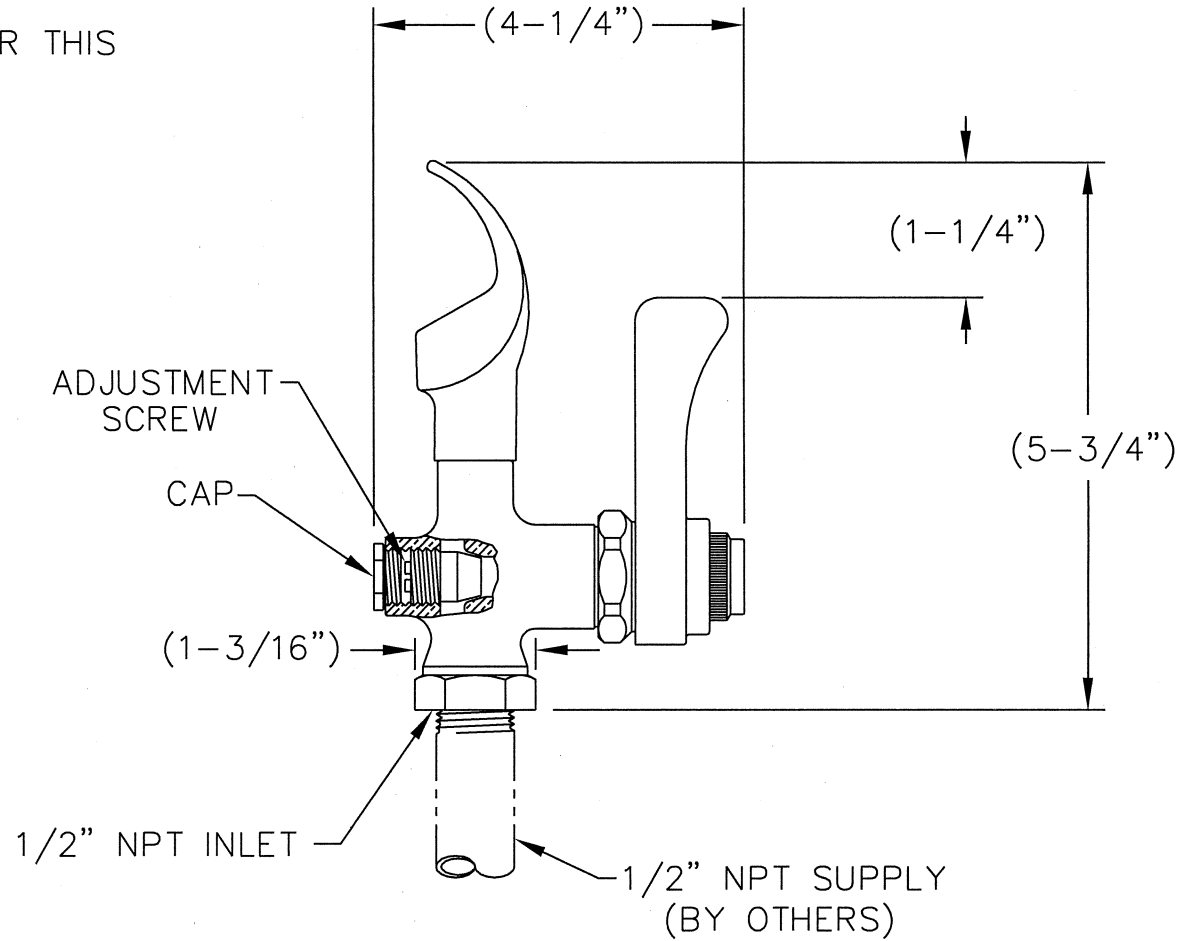
## APPLICATIONS

Perfect for either public or private indoor settings, the 5060LF is a great fit in areas where a countertop is in close proximity to a sink/bowl. Specifically, this type of deck mounted drinking faucet may be placed in settings such as: schools, classrooms, laboratories, and other facilities where the need for a deck mounted sink/faucet is present. Haws manufactures drinking fountains and electric water coolers to be lead-free by all known definitions including NSF/ANSI Standard 61, Section 9, NSF/ANSI 372, California Proposition 65, and the Federal Safe Drinking Water Act.



**NOTES:**

1. TO ADJUST FLOW, TURN ADJUSTMENT SCREW COUNTER CLOCKWISE TO INCREASE FLOW AND CLOCKWISE TO DECREASE FLOW.
2. THE HANDLE/STEM REPAIR KIT FOR THIS MODEL IS: 5830HST.
3. THE VALVE REPAIR KIT FOR THIS MODEL IS: 5800VRKT.



**Haws Corporation**  
 INFO FAX : 1-888-FAX-HAWS (1-888-329-4297)  
 1455 Kleppe Ln, Sparks NV, 89431  
 Phone: 775-359-4712 Fax: 775-359-7424  
 Haws Ag Bachweg 3 CH-3401 Burgdorf Switzerland  
 Haws Mfg Pte Ltd 74 Sungei Kadut Loop Singapore 729531  
 e-mail: Haws@hawsco.com website: www.hawsco.com

ECR NO.	REVISED PER	BY:	MODEL(S):	PART NUMBER:
	ECN: 3907	HM	5060LF	0002077536
DRAWN:	DATE:	DATE:	INFO FAX DOC #:	DRAWING NUMBER:
KH	10/96	10/96	2506053	12643A00
APPROVED:	DATE:	DATE:	SCALE:	SIZE:
	10/96	10/96	1:2	A
DRAWING TYPE: INSTALLATION/FAXBACK				REV. 3
				SHT. 1 OF 1