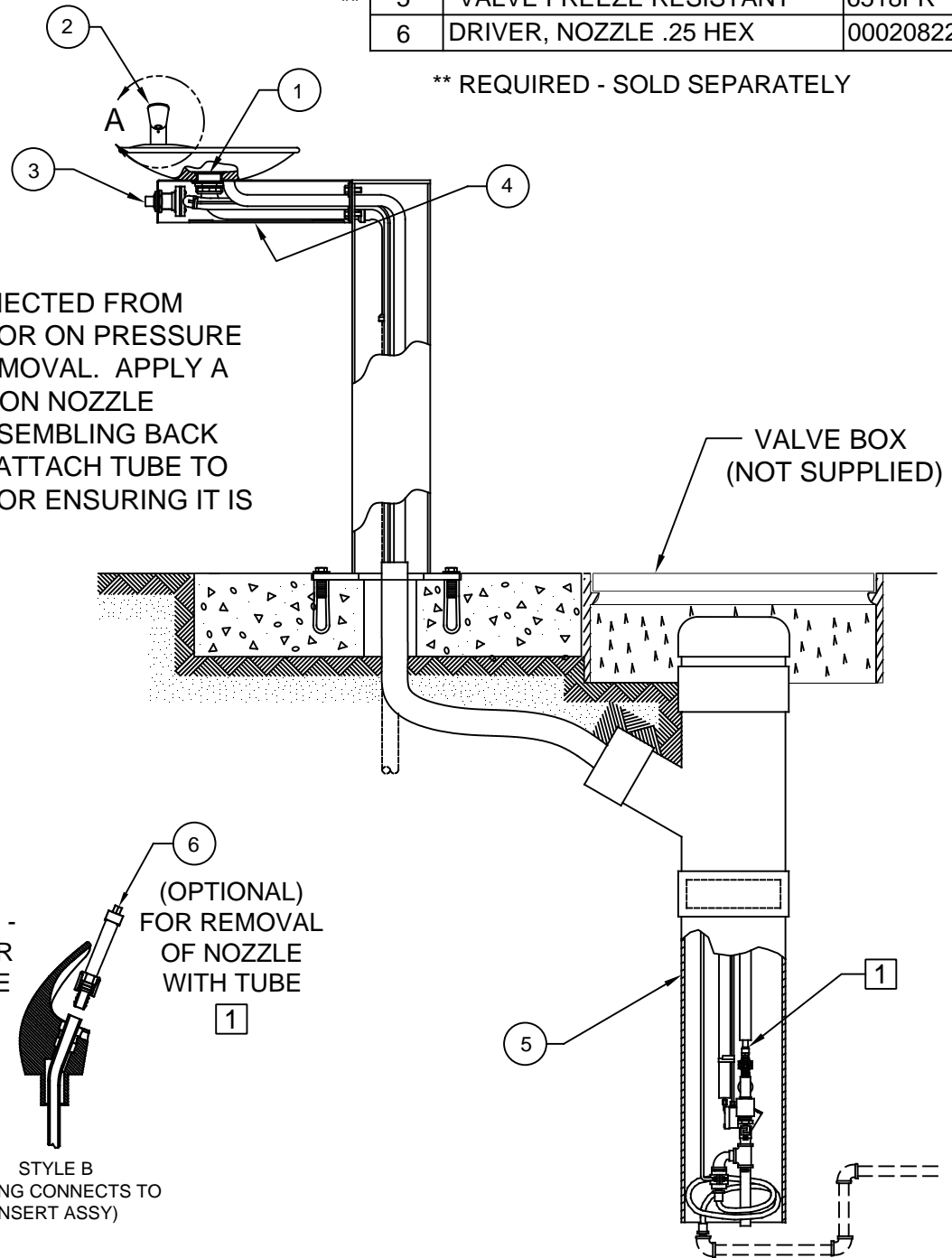


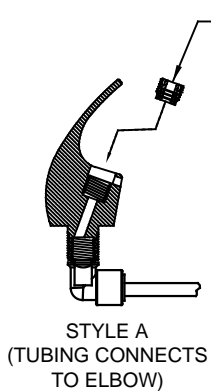
ITEM	DESCRIPTION	PART NO.
1	STRAINER ASSY	6463
2	BUBBLER HEAD (STYLE A OR STYLE B)	5705FR
3	PUSH BUTTON ASSY	5881PBA
4	BOTTOM PLATE	PBM1000
**	5 VALVE FREEZE RESISTANT	6518FR
6	DRIVER, NOZZLE .25 HEX	0002082253

\*\* REQUIRED - SOLD SEPARATELY

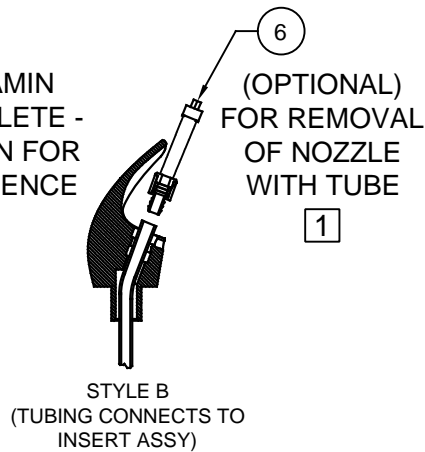


**NOTE:**

- 1 ENSURE TUBE IS DISCONNECTED FROM "PUSH-IN" TYPE CONNECTOR ON PRESSURE REGULATOR PRIOR TO REMOVAL. APPLY A DROP OF LOCTITE 222MS ON NOZZLE THREADS PRIOR TO REASSEMBLING BACK ONTO BUBBLER HEAD. REATTACH TUBE TO "PUSH-IN" TYPE CONNECTOR ENSURING IT IS FULLY BOTTOMED OUT.



5705LAMIN  
(OBSOLETE - SHOWN FOR REFERENCE ONLY)



6 (OPTIONAL) FOR REMOVAL OF NOZZLE WITH TUBE

**FOUNTAIN COULD HAVE EITHER STYLE  
DETAIL A  
ROTATED 90° INTO VIEW**

# PARTS BREAKDOWN

WHEN ORDERING PARTS PLEASE SPECIFY MODEL NUMBER.

		1455 KLEPPE LANE SPARKS, NEVADA 89431 (775) 359-4712 FAX (775) 359-7424 E-MAIL: HAWS@HAWS.CO.COM WEBSITE: WWW.HAWS.CO.COM	
		ECN NO. REVISED PER BY ECN: 5527 FV	MODEL(S) 3377FR
DRAWN RTM DATE 10/20/98 CHKD DP	APPROVED FV DATE 04/02/20	SCALE: 1:14 DRAWING TYPE: PARTS BREAKDOWN	REVISION 11