



# model 1920FR

Freeze-Resistant Bottle Filler

## FEATURES & BENEFITS

### CONSTRUCTION

Unit is made of 14 gauge Type 304 stainless steel with a satin finish that resists stains and corrosion, and has soft rounded corners. Unit features vandal-resistant bottom plate and dispensing nozzle.

### EFFICIENT & FLEXIBLE INSTALLATION

Unit is designed for retrofit or new construction applications. No drain required for mounting over existing drinking fountain.

### DURABLE BUILD

Good for outdoor applications where the unit may encounter freezing conditions. Made with 100% Stainless Steel for vandal resistance.

### MOUNTING OPTIONS

Select from mounting plate and back panel models to complete installation. Unit can mount on various wall types.



## OPTIONS

- Back Panel: Model BP15, satin finish stainless steel 15 inch back panel for Model 1920.
- Custom Logo Panel: Model 6475, Hydration By Haws™ logo panel with customization options.
- Mounting Plate: Model 6700 universal mounting plate for most wall mounted fountains. Priced Separately.

For more information, visit [www.hawsco.com](http://www.hawsco.com) or call (888) 640-4297.

## SPECIFICATIONS

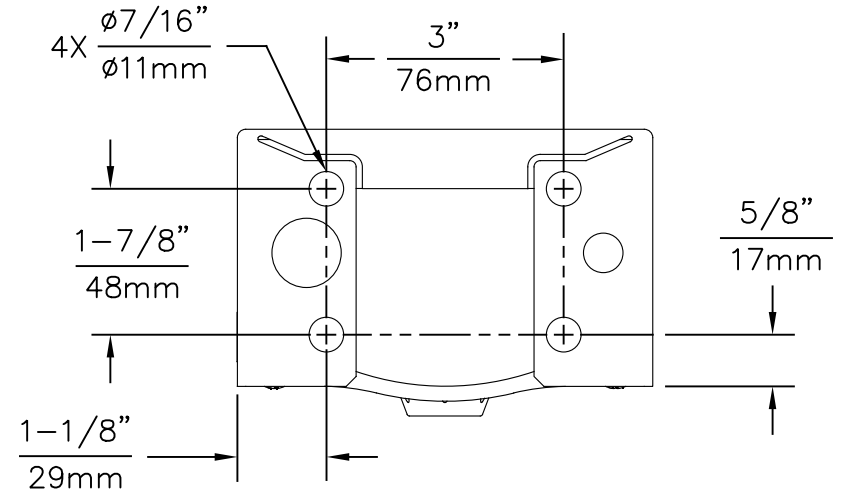
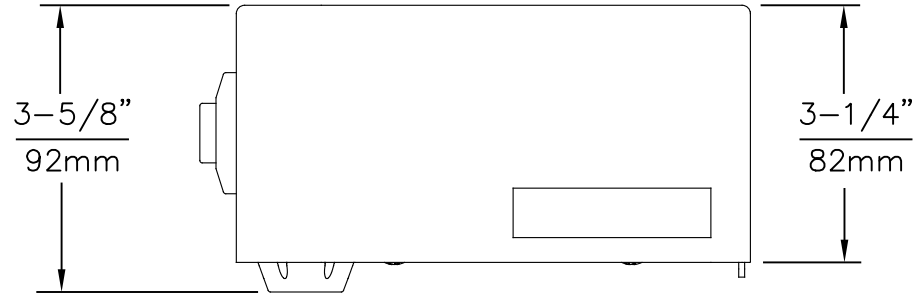
Model 1920FR wall mounted freeze-resistant bottle filler can be a stand-alone wall mounted station, or mounted over the 1109FR & 1119FR series fountains. It shall include stainless steel construction, a polished chrome-plated brass push-button operated by a pneumatic valve installed on the inside wall where room temperatures do not drop below 50° F (10° C), and self-draining water lines which protect the unit from freezing.

.....  
REQUIRES MODEL 6521FR PRICED SEPARATELY.

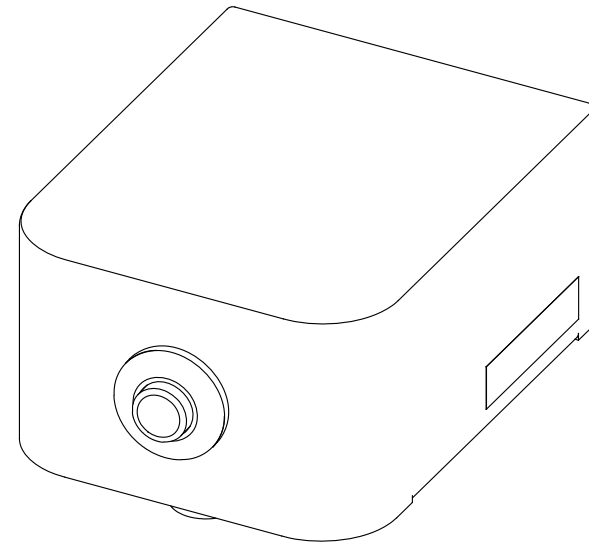
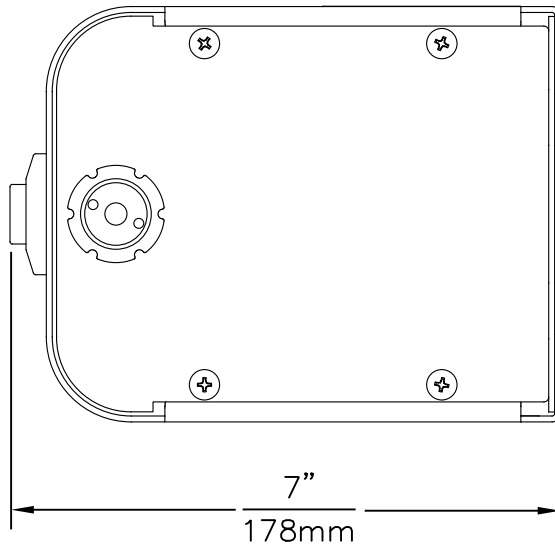
## APPLICATIONS

This type of wall mounted bottle filler may be placed in settings such as schools, parks and other outdoor locations where the freezing temperatures may exist. Haws® manufactures drinking fountains and electric water coolers to be lead-free by all known definitions including NSF/ANSI 61, Section 9, NSF/ANSI 372, California Proposition 65, and the Federal Safe Drinking Water Act. Product is compliant to California Health and Safety Code 116875 (AB 1953-2006).






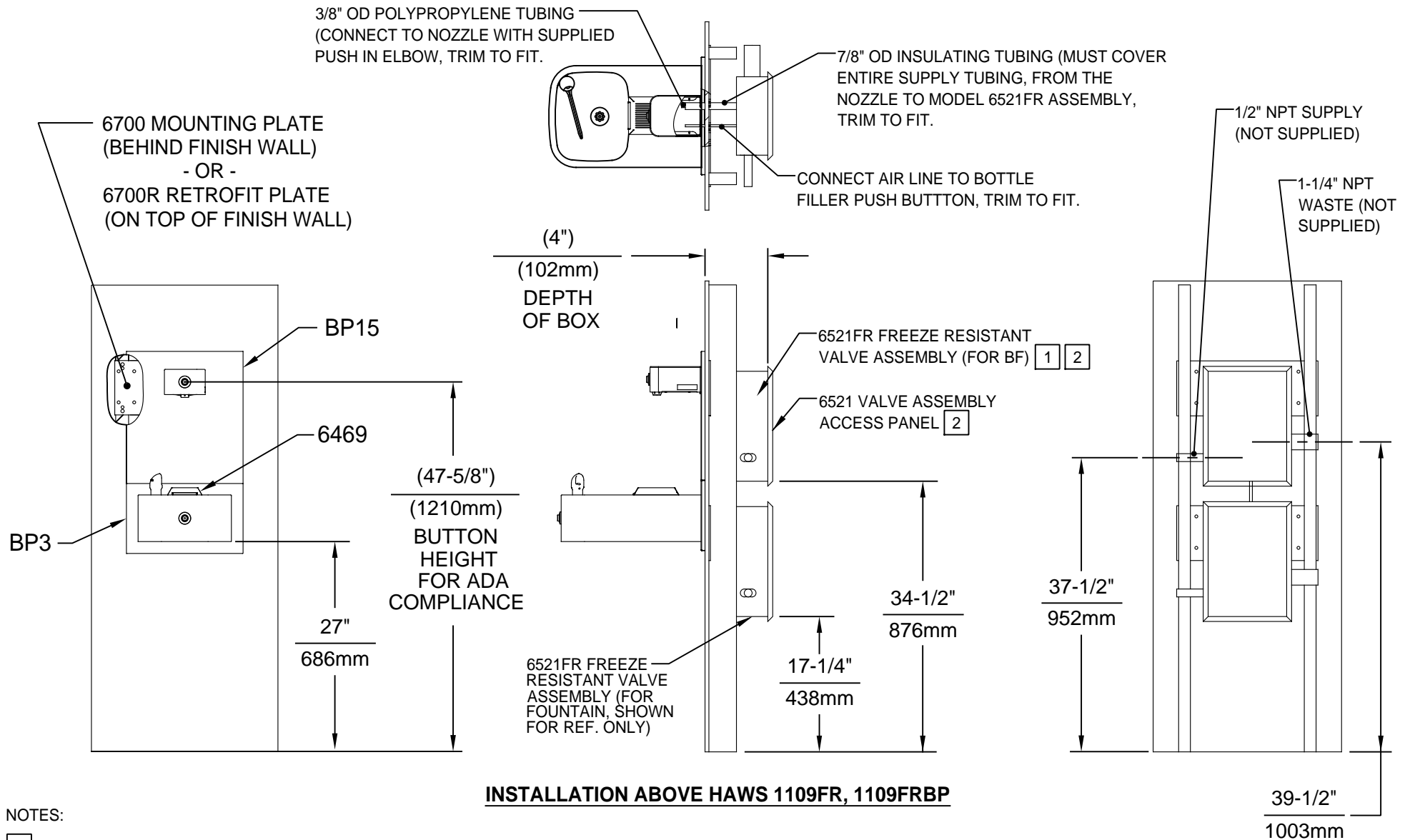
1920 MOUNTING HOLE LOCATIONS



NOTES:


- 1 THIS BOTTLE FILLER REQUIRES THE USE OF MODEL 6521FR FREEZE RESISTANT VALVE ASSEMBLY (SOLD SEPERATELY)
- 2 VALVE ASSEMBLY MUST BE INSTALLED IN A WARM AREA. PROVISIONS SHOULD BE MADE TO ALLOW ACCESS TO THE ACCESS PANEL.
3. WHEN INSTALLING THIS UNIT, LOCAL, STATE OR FEDERAL CODES SHOULD BE ADHERED TO. FOR INSTALLATION HEIGHTS OTHER THAN SHOWN, DIMENSIONS MARKED (\*) MUST BE ADJUSTED ACCORDINGLY.

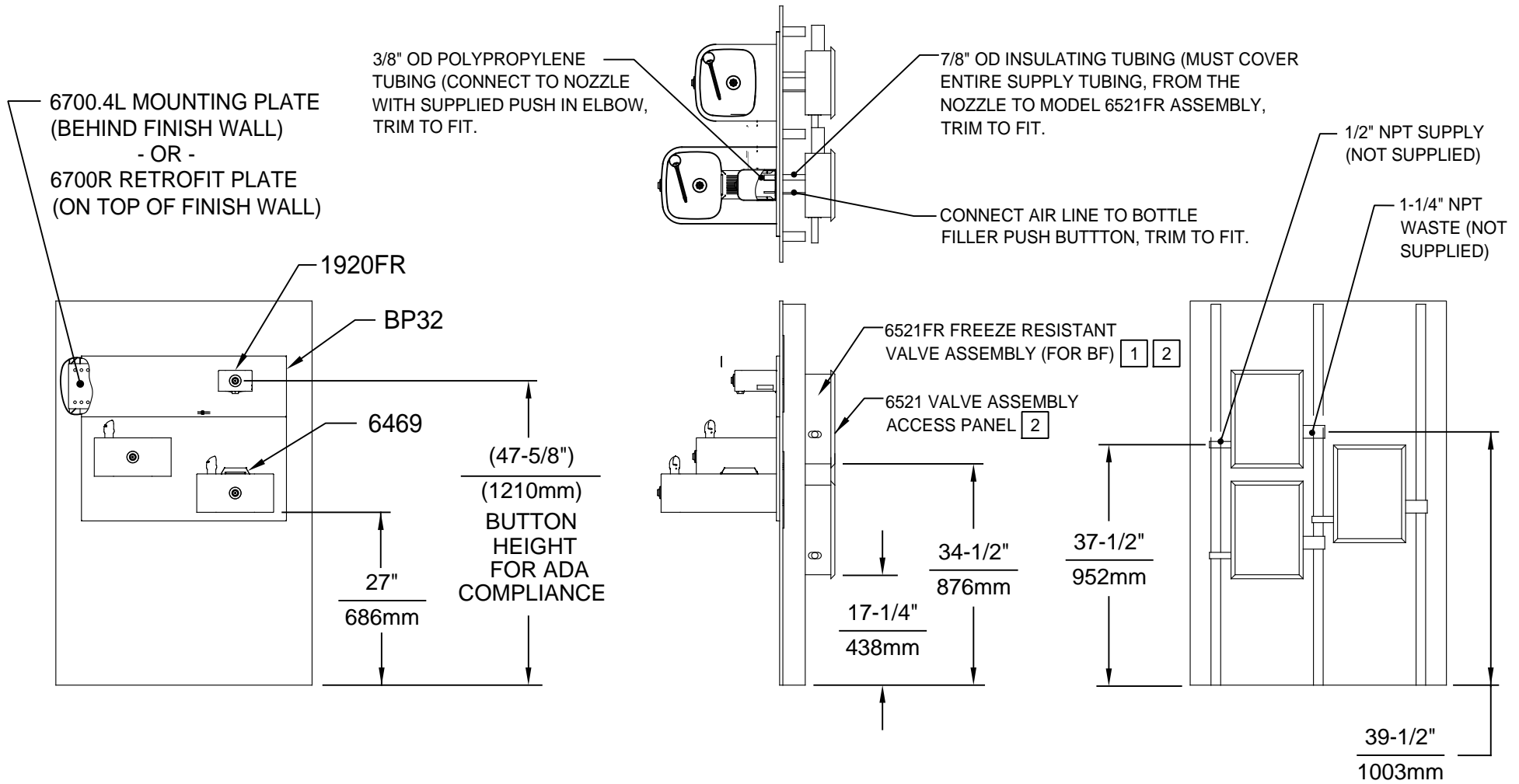
		1455 KLEPPE LANE SPARKS, NEVADA 89431 (775) 359-4712 FAX (775) 359-7424 E-MAIL: HAWS@HAWS.CO.COM WEBSITE: WWW.HAWS.CO.COM	
ECN NO. 5081	REVISED PER ECN: 5400	BY: FV	MODEL(S)
DRAWN: DS	DATE: 05/25/16	CHKD: DP	1920FR
APPROVED: IR	DATE: 07/10/19	SCALE: N/A	DRAWING TYPE: INSTALLATION
PART NUMBER			051000491.D
REVISION			4
SIZE: A			SHEET 1 OF 3



NOTES:

- [1] THIS BOTTLE FILLER REQUIRES THE USE OF MODEL 6521FR FREEZE RESISTANT VALVE ASSEMBLY (SOLD SEPERATELY)
- [2] VALVE ASSEMBLY MUST BE INSTALLED IN A WARM AREA. PROVISIONS SHOULD BE MADE TO ALLOW ACCESS TO THE ACCESS PANEL.
3. SEE SEPERATE INSTALLATION DRAWINGS FOR FOUNTAINS, MOUNTING PLATES, BACKPANELS, AND DRIP TRAY. HOLD ROUGH-IN DIMENSIONS ± 1/8" (3.2mm)
4. WHEN INSTALLING THIS UNIT, LOCAL, STATE OR FEDERAL CODES SHOULD BE ADHERED TO. FOR INSTALLATION HEIGHTS OTHER THAN SHOWN, DIMENSIONS MARKED (\*) MUST BE ADJUSTED ACCORDINGLY.

		1455 KLEPPE LANE SPARKS, NEVADA 89431 (775) 359-4712 FAX (775) 359-7424 E-MAIL: HAWS@HAWS.CO.COM WEBSITE: WWW.HAWS.CO.COM			
		MODEL(S) 1920FR	PART NUMBER 051000491.D REVISION 4		
ECN NO. 5081 DRAWN: MJ APPROVED: IR	REVISED PER: FV DATE: 02/13/17 DATE: 07/10/19	SCALE: N/A	DRAWING TYPE: INSTALLATION	SIZE: A	SHEET 2 OF 3



**INSTALLATION ABOVE HAWS 1119FR**

NOTES:

- 1 THIS BOTTLE FILLER REQUIRES THE USE OF MODEL 6521FR FREEZE RESISTANT VALVE ASSEMBLY (SOLD SEPERATELY)
- 2 VALVE ASSEMBLY MUST BE INSTALLED IN A WARM AREA. PROVISIONS SHOULD BE MADE TO ALLOW ACCESS TO THE ACCESS PANEL.
- 3. SEE SEPERATE INSTALLATION DRAWINGS FOR FOUNTAINS, MOUNTING PLATES, BACKPANELS, AND DRIP TRAY. HOLD ROUGH-IN DIMENSIONS ± 1/8" (3.2mm)
- 4. WHEN INSTALLING THIS UNIT, LOCAL, STATE OR FEDERAL CODES SHOULD BE ADHERED TO. FOR INSTALLATION HEIGHTS OTHER THAN SHOWN, DIMENSIONS MARKED (\*) MUST BE ADJUSTED ACCORDINGLY.

		1455 KLEPPE LANE SPARKS, NEVADA 89431 (775) 359-4712 FAX (775) 359-7424 E-MAIL: HAWS@HAWS.CO.COM WEBSITE: WWW.HAWS.CO.COM	
		ECN NO. 5081 DRAWN: MJ APPROVED: IR	REVISED PER: FV DATE: 02/13/17 DATE: 07/10/19
SCALE: N/A		DRAWING TYPE: INSTALLATION	
SIZE: A		SHEET 3 OF 3	