



INSTALLATION, OPERATION & MAINTENANCE INSTRUCTIONS

1455 Kleppe Lane ♦ Sparks, NV 89431-6467 ♦ (775) 359-4712 ♦ Fax (775) 359-7424
E-mail: haws@hawsco.com ♦ website: www.hawsco.com

No. 0510000491 (5)

Model 1920FR Drinking Fountain

NOTE TO INSTALLER: Please leave this information with the Maintenance Department.

LIMITED WARRANTY

HAWS warrants that this specific product is guaranteed against defective material or poor workmanship for a period of **one year from date of shipment**. HAWS liability under this warranty shall be discharged by furnishing without charge F.O.B. HAWS Factory any goods, or part thereof, which shall appear to the Company upon inspection to be of defective material or not of first class workmanship, provided that claim is made in writing to Haws within a reasonable period after receipt of the product. Where claims for defects are made, the defective part or parts shall be delivered to the Company, prepaid, for inspection. HAWS will not be liable for the cost of repairs, alterations or replacements, or for any expense connected therewith made by the owner or his agents, except upon written authority from HAWS, Sparks, Nevada. HAWS will not be liable for any damages caused by defective materials or poor workmanship, except for replacements, as provided above. Buyer agrees that HAWS shall not be liable for general, special, or consequential damages claimed to arise under the contract of sale. The drinking fountain manufactured by HAWS is warranted to function if installation and maintenance instructions provided are adhered to. The units also must be used for the purpose for which they were intended.

**NO OTHER WARRANTIES EXPRESSED OR IMPLIED ARE AUTHORIZED,
PROVIDED OR GIVEN BY HAWS.**

**SHOULD YOU EXPERIENCE DIFFICULTY WITH THE INSTALLATION OF THIS
MODEL PLEASE CALL:**

TECHNICAL SUPPORT: 1-800-766-5612

FOR CUSTOMER SERVICE: 1-888-640-4297

REQUIRED TOOLS: Tubing cutter, 3/32" and 5/32" hex key set, adjustable wrench or socket.

LOCATION OF UNIT: The Model 1920FR bottle filler water dispenser can be installed in various applications. Possible installations include indoor over an existing drinking fountain, outdoors over an existing fountain, or as a stand-alone wall-mounted bottle filler. When installing this unit, local, state or federal codes should be adhered to.

SUPPLY LINE: The minimum recommended line size is 3/8"O.D. copper or plastic tubing with 30-90 psi (2-6 ATM) pressure. Where sediment or mineral content is a problem, an inlet filter is recommended.

PLUMBING CONNECTIONS: Inlet is 3/8"O.D. push-in type fitting.

MAINTENANCE: Refer to 6521FR operation and maintenance sheet for more information.

INSTALLATION PROCEDURE

GENERAL NOTES:

1. For all plastic push-in type fitting connections, only connect NSF-61 copper or plastic tubing. Stainless steel or glass tubing is not recommended. The following assembly instructions must be followed to ensure a watertight connection:
 - a. Cut tubing square and clean.
 - b. Mark from end of tube the length of insertion (See table below).
 - c. Push tube into the fitting until it bottoms out.
 - d. To remove, depress collet and pull tubing out.

Tube Sizes	O.D. Tolerance	Insertion Depth
1/4"	±.005"	11/16"
3/8"	±.005"	3/4"
1/2"	±.005"	7/8"

BOTTLER FILLER BRACKET:

If installing the bottler filler in new construction, use Model 6700 Mounting Plate. Follow the installation instructions supplied with the 6700 for mounting dimensions. Reference Page 5-7 of this document for 1920FR button height when mounted over different Haws drinking fountains. (Note: Mounting Hardware is only supplied with the 6700 Series Mounting Plates and not the Bottle Filler Water Dispensers).

If installing as a retrofit in old construction, it is recommended to use Model 6700 Mounting Plate behind the finished wall. If that is not possible, it is recommended to install wood stud cross-braces behind the wall and mount the 1920FR directly to the wood support. If that is not possible, Model 6700R Retrofit Plate may be used. Follow the installation instructions supplied with the 6700R. (Note: Mounting Hardware is only supplied with the 6700 Series Mounting Plates and not the Bottle Filler Water Dispensers).

If installing as a standalone bottle filler, use the mounting hole location diagram on Page 5 and bolt the 1920FR securely to the wall. (Note: Mounting Hardware is not supplied with the Bottle Filler Water Dispensers).

WATER LINE:

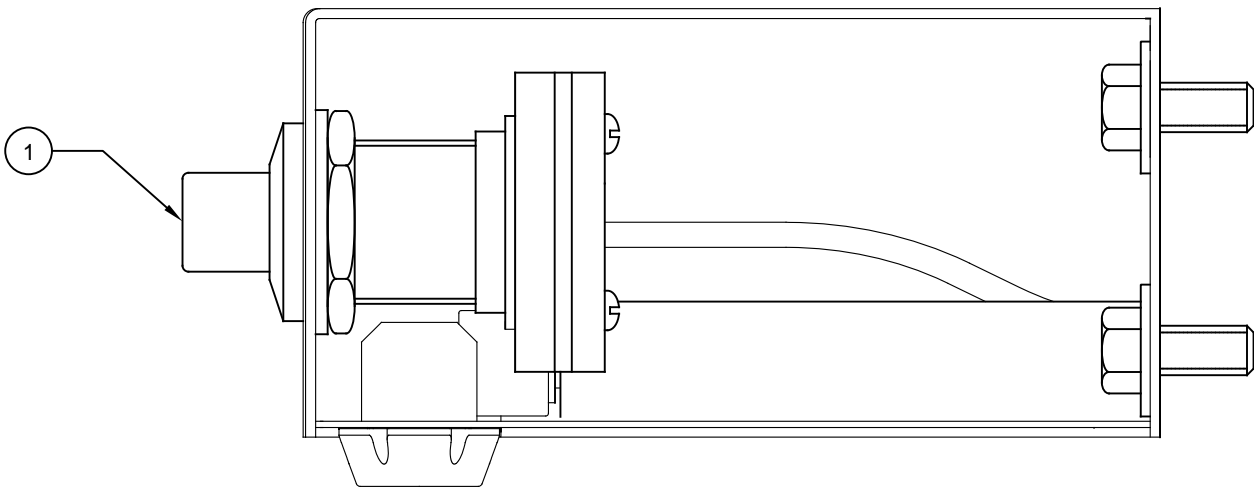
Refer to 6521FR Manual for water line connection instructions. Refer to 6518FR Manual for water line connection instruction in pedestal installation. **NOTE: The 1920FR is shipped with laminar flow screens in the dispensing nozzle. In cold temperatures remove laminar screens to prevent water from freezing and clogging the supply line.**

TROUBLESHOOTING 1920FR	
PROBLEM	REPAIR CHECKLIST
Insufficient bubbler flow.	<ol style="list-style-type: none">1a. Check that inlet screwdriver stop valve is wide open (customer supplied). Turn counterclockwise.b. Verify minimum 30 psi flowing supply pressure.c. Adjust valve to increase flow. See 6518FR/ 6521FR Valve Manual.d. Clean screens (inside nozzle body). Unscrew nozzle insert and very gently activate water supply to pop out qty. 3 screens (be careful not to lose screens). Remove any debris clogging the screen openings and place back into nozzle body. Reassemble nozzle insert.

For more information about Haws products, see our website: www.hawsc.com

© 2020 Haws® Corporation – All Rights Reserved
HAWS® and other trademarks used in these materials are the exclusive property of Haws Corporation.

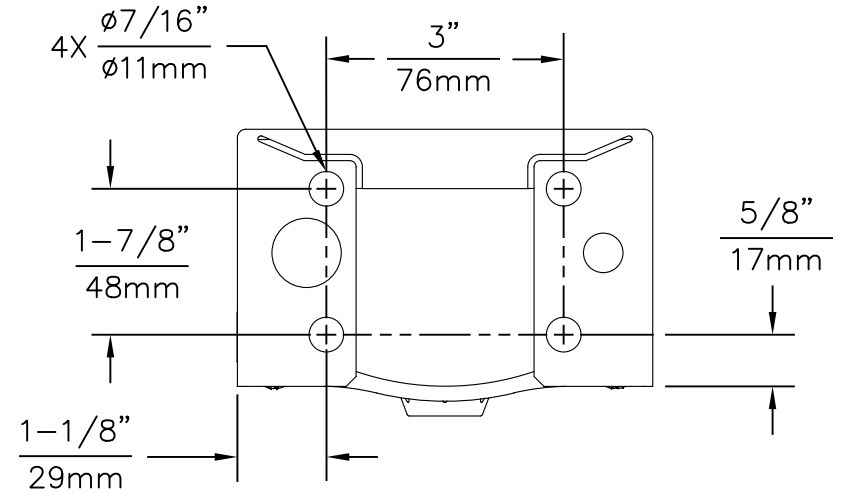
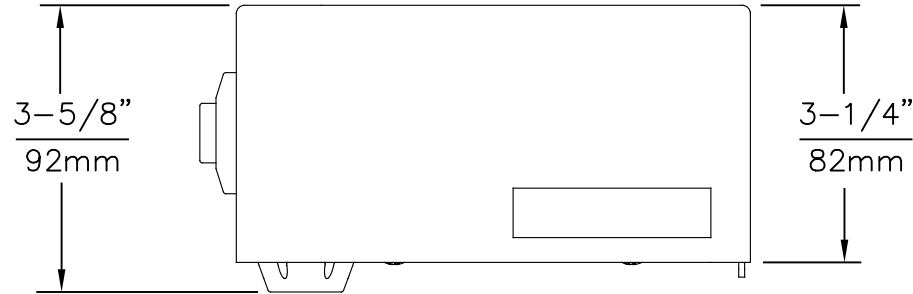
ITEM	DESCRIPTION	PART NO.
1	PUSH BUTTON ASSY	5881PBA



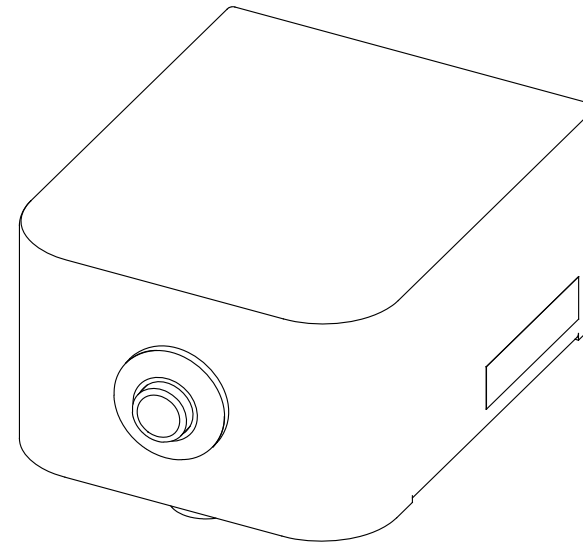
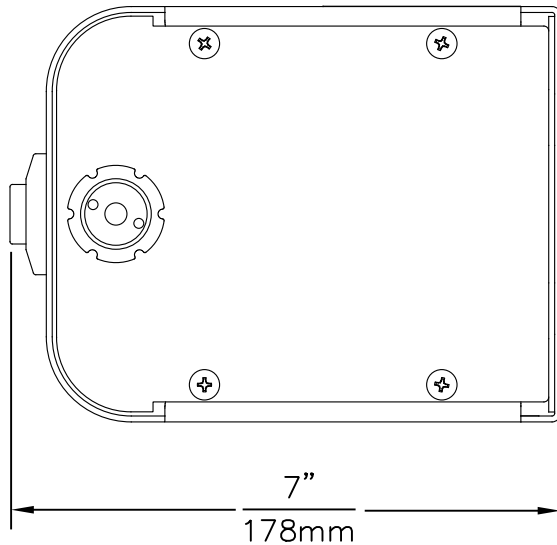
PARTS BREAKDOWN

WHEN ORDERING PARTS PLEASE SPECIFY MODEL NUMBER.

 Haws [®]			1455 KLEPPE LANE SPARKS, NEVADA 89431 (775) 359-4712 FAX (775) 359-7424 E-MAIL: HAWS@HAWS.CO.COM WEBSITE: WWW.HAWS.CO.COM	
			ECN NO. 5081 DRAWN MJ APPROVED FV	REVISED PER ECN: 5550 DATE 06/08/16 DATE 05/14/20
SCALE: 1:14			DRAWING TYPE: PARTS BREAKDOWN	SIZE: A SHEET 1 OF 1




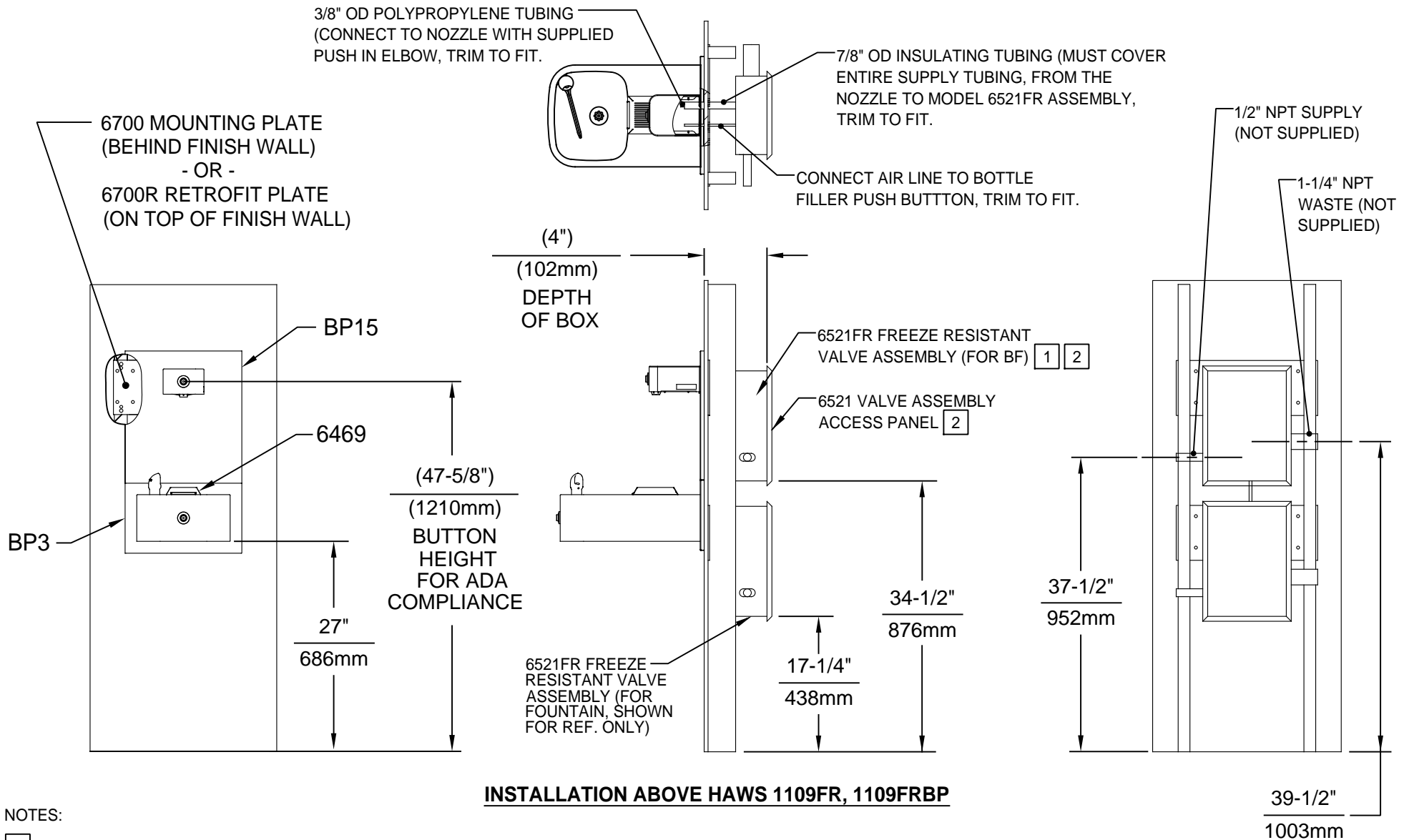
1920 MOUNTING HOLE LOCATIONS



NOTES:

- 1 THIS BOTTLE FILLER REQUIRES THE USE OF MODEL 6521FR FREEZE RESISTANT VALVE ASSEMBLY (SOLD SEPERATELY)
- 2 VALVE ASSEMBLY MUST BE INSTALLED IN A WARM AREA. PROVISIONS SHOULD BE MADE TO ALLOW ACCESS TO THE ACCESS PANEL.
3. WHEN INSTALLING THIS UNIT, LOCAL, STATE OR FEDERAL CODES SHOULD BE ADHERED TO. FOR INSTALLATION HEIGHTS OTHER THAN SHOWN, DIMENSIONS MARKED (*) MUST BE ADJUSTED ACCORDINGLY.

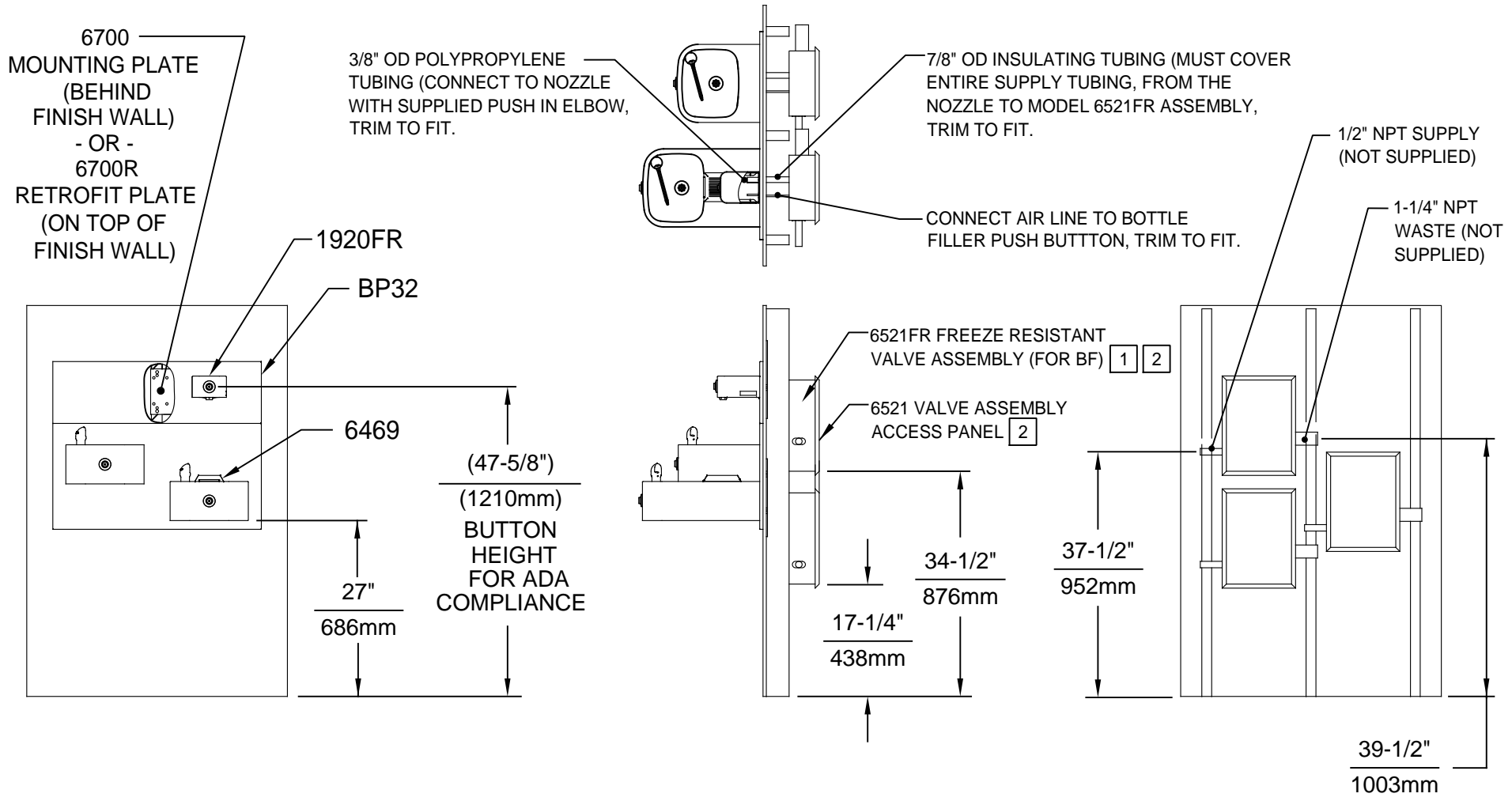
		1455 KLEPPE LANE SPARKS, NEVADA 89431 (775) 359-4712 FAX (775) 359-7424 E-MAIL: HAWS@HAWSCO.COM WEBSITE: WWW.HAWSCO.COM	
ECN NO. 5081	REVISED PER ECN: 5550	BY: FV	MODEL(S) 1920FR
DRAWN: DS	DATE: 05/25/16	CHKD: DP	PART NUMBER 0510000491.D
APPROVED: FV	DATE: 05/14/20	SCALE: N/A	REVISION 5
DRAWING TYPE: INSTALLATION		SIZE: A	SHEET 1 OF 3



NOTES:

- 1 THIS BOTTLE FILLER REQUIRES THE USE OF MODEL 6521FR FREEZE RESISTANT VALVE ASSEMBLY (SOLD SEPERATELY)
- 2 VALVE ASSEMBLY MUST BE INSTALLED IN A WARM AREA. PROVISIONS SHOULD BE MADE TO ALLOW ACCESS TO THE ACCESS PANEL.
3. SEE SEPERATE INSTALLATION DRAWINGS FOR FOUNTAINS, MOUNTING PLATES, BACKPANELS, AND DRIP TRAY. HOLD ROUGH-IN DIMENSIONS ± 1/8" (3.2mm)
4. WHEN INSTALLING THIS UNIT, LOCAL, STATE OR FEDERAL CODES SHOULD BE ADHERED TO. FOR INSTALLATION HEIGHTS OTHER THAN SHOWN, DIMENSIONS MARKED (*) MUST BE ADJUSTED ACCORDINGLY.

		1455 KLEPPE LANE SPARKS, NEVADA 89431 (775) 359-4712 FAX (775) 359-7424 E-MAIL: HAWS@HAWS.CO.COM WEBSITE: WWW.HAWS.CO.COM	
		ECN NO. 5081 DRAWN: MJ APPROVED: FV	REVISED PER: FV DATE: 02/13/17 DATE: 05/14/20
SCALE: N/A		DRAWING TYPE: INSTALLATION	SIZE: A SHEET 2 OF 3



INSTALLATION ABOVE HAWS 1119FR

NOTES:

- 1 THIS BOTTLE FILLER REQUIRES THE USE OF MODEL 6521FR FREEZE RESISTANT VALVE ASSEMBLY (SOLD SEPERATELY)
- 2 VALVE ASSEMBLY MUST BE INSTALLED IN A WARM AREA. PROVISIONS SHOULD BE MADE TO ALLOW ACCESS TO THE ACCESS PANEL.
- 3. SEE SEPERATE INSTALLATION DRAWINGS FOR FOUNTAINS, MOUNTING PLATES, BACKPANELS, AND DRIP TRAY. HOLD ROUGH-IN DIMENSIONS ± 1/8" (3.2mm)
- 4. WHEN INSTALLING THIS UNIT, LOCAL, STATE OR FEDERAL CODES SHOULD BE ADHERED TO. FOR INSTALLATION HEIGHTS OTHER THAN SHOWN, DIMENSIONS MARKED (*) MUST BE ADJUSTED ACCORDINGLY.

		1455 KLEPPE LANE SPARKS, NEVADA 89431 (775) 359-4712 FAX (775) 359-7424 E-MAIL: HAWS@HAWS.CO.COM WEBSITE: WWW.HAWS.CO.COM	
		ECN NO. 5081 DRAWN: MJ APPROVED: FV	REVISED PER: FV DATE: 02/13/17 DATE: 05/14/20
SCALE: N/A		DRAWING TYPE: INSTALLATION	SIZE: A SHEET 3 OF 3