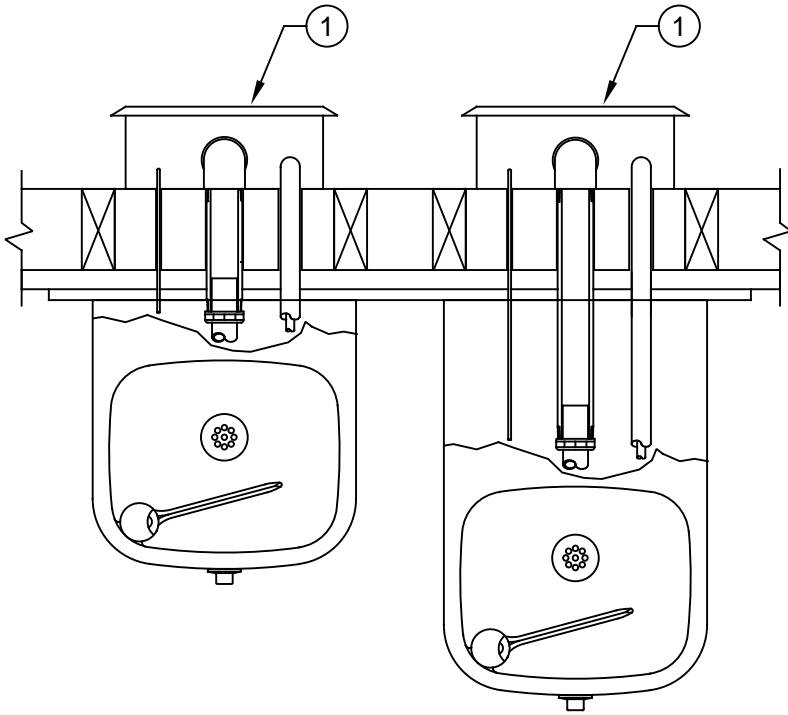


PARTS BREAKDOWN

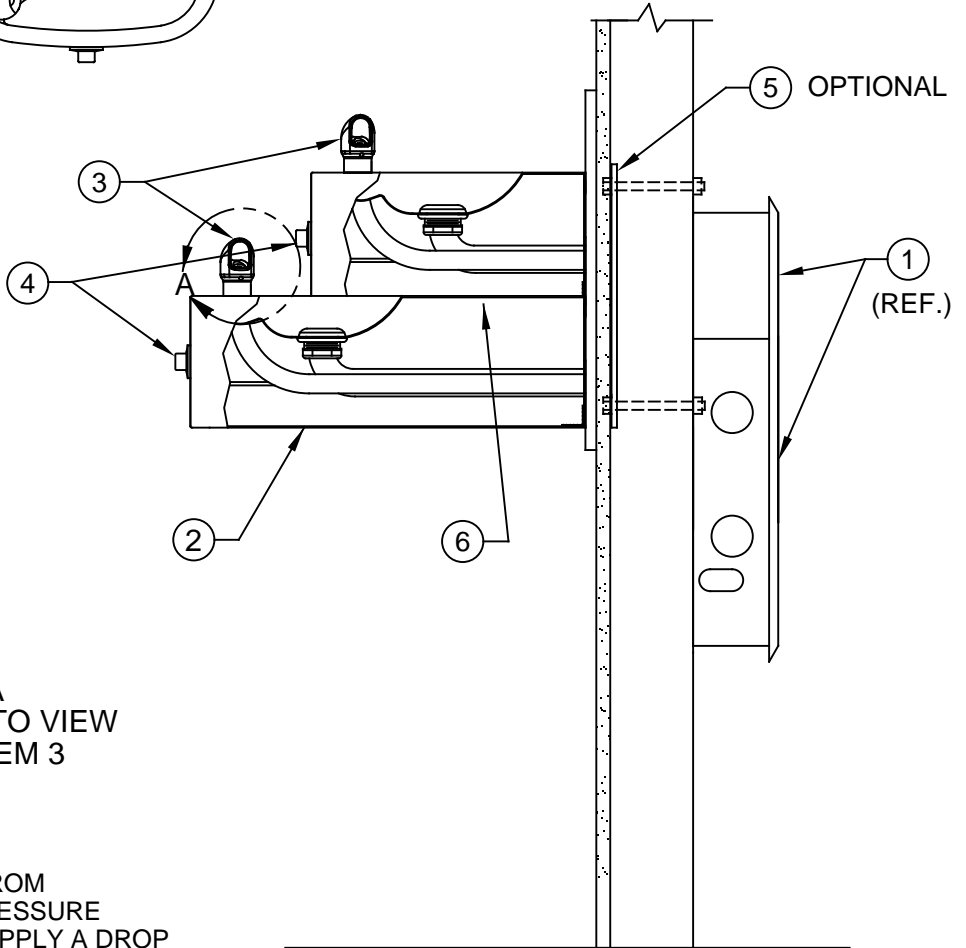
ITEM	DESCRIPTION	PART NO.
** 1	FREEZE RESISTANT VALVE	6521FR
2	BOTTOM PLATE 1105	PBM1105
3	BUBBLER HEAD 5703M	5703M
4	PUSH BUTTON ASSEMBLY	5881PBA
5	MOUNTING PLATE	6700.4
6	BOTTOM PLATE 1109	PBM1109

** QTY 2 REQUIRED - SOLD SEPARATELY.



1
REMOVE INSERT
WITH
5/16 HEX SOCKET
(NOT SUPPLIED)


DETAIL A
ROTATED 90° INTO VIEW
DETAIL OF ITEM 3



NOTE:

- 1 ENSURE TUBE IS DISCONNECTED FROM "PUSH-IN" TYPE CONNECTOR ON PRESSURE REGULATOR PRIOR TO REMOVAL. APPLY A DROP OF LOCTITE 222MS ON NOZZLE THREADS PRIOR TO REASSEMBLING BACK ONTO BUBBLER HEAD. REATTACH TUBE TO "PUSH-IN" TYPE CONNECTOR ENSURING IT IS FULLY BOTTOMED OUT.

WHEN ORDERING PARTS PLEASE SPECIFY MODEL NUMBER.



1455 KLEPPE LANE
SPARKS, NEVADA 89431
(775) 359-4712 FAX (775) 359-7424
E-MAIL: HAWS@HAWS.CO.COM
WEBSITE: WWW.HAWS.CO.COM

ECN NO.	REVISED PER	BY	MODEL(S)	PART NUMBER
	ECN: 5527	FV		0002076627
DRAWN	DATE	CHKD		REVISION
FV	08-20-98	DP	1119FR	14
APPROVED	DATE		SCALE: 1:9	DRAWING TYPE: PARTS BREAKDOWN
FV	04/02/20			SIZE: A SHEET 1 OF 1