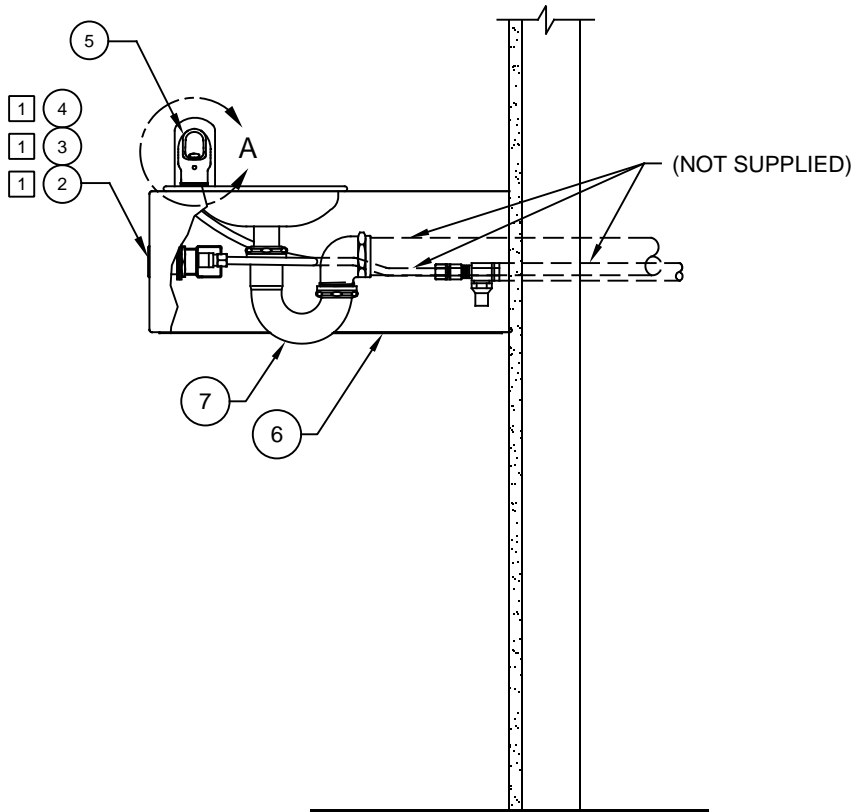
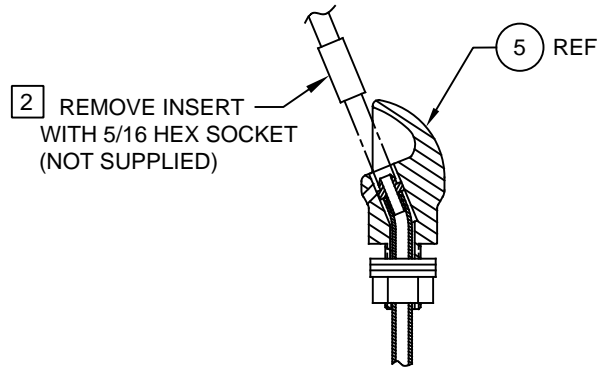
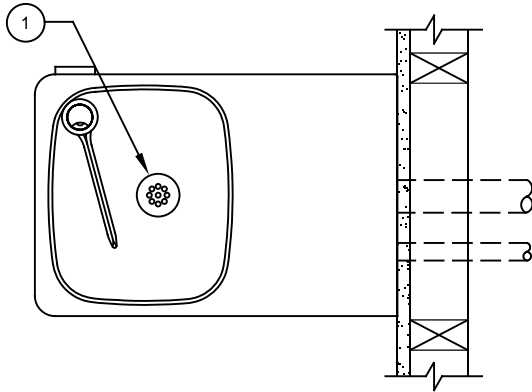


ITEM	DESCRIPTION	1025/1025
1	STRAINER, WASTE ASSEMBLY	6466
2	BUTTON, PUSH, RECESSED, PCP W/ VALVE	5874PB
3	VALVE REPAIR KIT	VRK5874
4	BUTTON ASSEMBLY, PUSH, 5874	PBA7
5	BUBBLER HEAD ASSEMBLY, PCP	5703M
6	PLATE, BOTTOM	PBM1025
7	TRAP	0005987000

NOTES:

- 1 5874PB (ITEM 2) INCLUDES VRK5874 CARTRIDGE ASSEMBLY (ITEM 3) AND PBA7 RECESSED PUSH BUTTON (ITEM 4).
- 2 ENSURE TUBE IS DISCONNECTED FROM PUSH BUTTON VALVE BODY PRIOR TO REMOVAL. APPLY ONE DROP OF LOCTITE 222MS TO NOZZLE THREADS PRIOR TO FASTENING BACK ONTO BUBBLER HEAD. RE-ATTACH TUBE TO VALVE.



DETAIL A  
ROTATED 90° INTO VIEW

# PARTS BREAKDOWN

		<b>Haws</b> <sup>®</sup>		1455 KLEPPE LANE SPARKS, NEVADA 89431 (775) 359-4712 FAX (775) 359-7424 E-MAIL: HAWS@HAWS.CO.COM WEBSITE: WWW.HAWS.CO.COM	
				ECN NO. REVISED PER BY ECN: 5124 VWC	MODEL(S) 1025/1025G DRINKING FOUNTAIN
DRAWN D OLLOM	DATE 11/25/95	CHKD VWC	REVISION 14		
APPROVED FV	DATE 07/06/17	SCALE: NA	DRAWING TYPE: PARTS BREAKDOWN	SIZE: A	SHEET 1 OF 1

WHEN ORDERING PARTS PLEASE SPECIFY MODEL NUMBER.