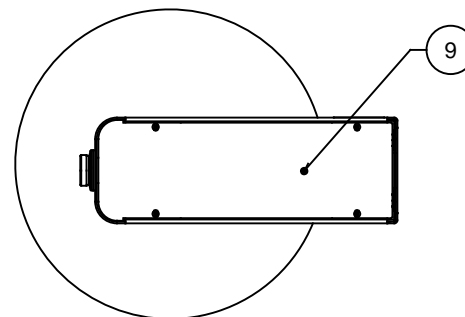
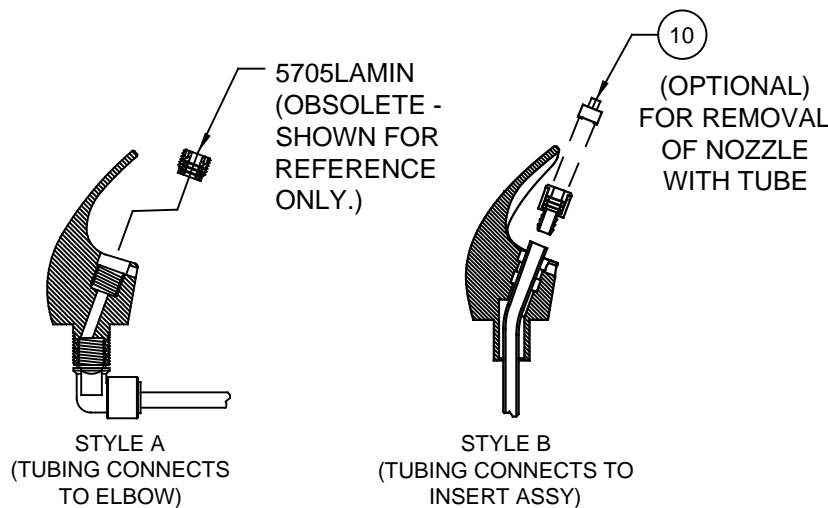
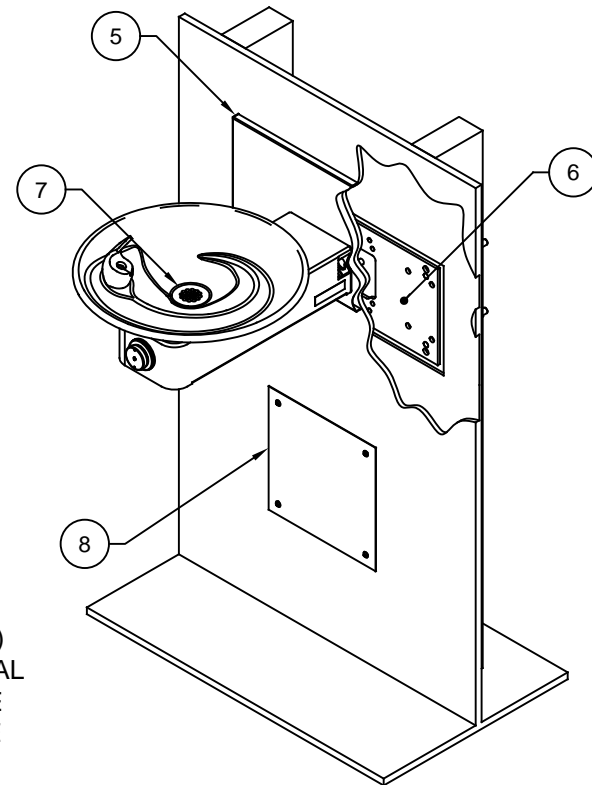
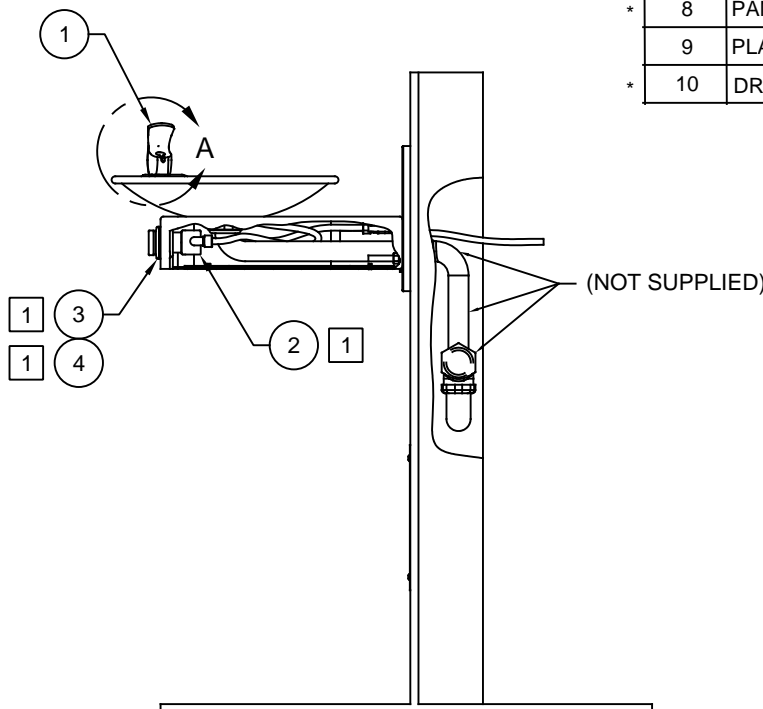


NOTES:

- 1 5874PBF (ITEM 2) INCLUDES VRK5874 CARTRIDGE ASSEMBLY (ITEM 3) AND PBA6 FLANGED PUSH BUTTON (ITEM 4).

ITEM	DESCRIPTION	1001	1001HPS
1	BUBBLER HEAD, PCP	5705	5705
2	BUTTON, PUSH, PCP, FLANGED W/ VALVE	5874PBF	5874PBF
3	VALVE REPAIR KIT	VRK5874	VRK5874
4	BUTTON, PUSH, 5874, FLANGED	PBA6	PBA6
*	PANEL, BACK, F/ SATIN SWIRL OR HI-POL SS	BP6	BP6HPS
**	PLATE, MOUNTING	6700	6700
7	STRAINER, WASTE ASSEMBLY, SCP OR PCP	6463	6463PCP
*	PANEL, ACCESS, SS SATIN OR HI-POL	6603	6603HPS
9	PLATE, BOTTOM, F/ 1000	PBM1000	PBM1000
*	DRIVER, NOZZLE, .25 HEX	0002082253	0002082253

\* DENOTES OPTIONAL PART.  
 \*\* REQUIRED - SOLD SEPARATELY.



FOUNTAIN COULD HAVE EITHER STYLE  
 DETAIL A  
 ROTATED 90° INTO VIEW

# PARTS BREAKDOWN

WHEN ORDERING PARTS PLEASE SPECIFY MODEL NUMBER.

		1455 KLEPPE LANE SPARKS, NEVADA 89431 (775) 359-4712 FAX (775) 359-7424 E-MAIL: HAWS@HAWSCO.COM WEBSITE: WWW.HAWSCO.COM	
		ECN NO. REVISED PER BY ECN: 5527 FV	MODEL(S) 1001/1001HPS
DRAWN RTM DATE 10/19/98 APPROVED FV DATE 04/02/20	DATE 10/19/98 DATE 04/02/20	CHKD DP	REVISION 21
SCALE: 1:1		DRAWING TYPE: PARTS BREAKDOWN	SIZE: A SHEET 1 OF 1