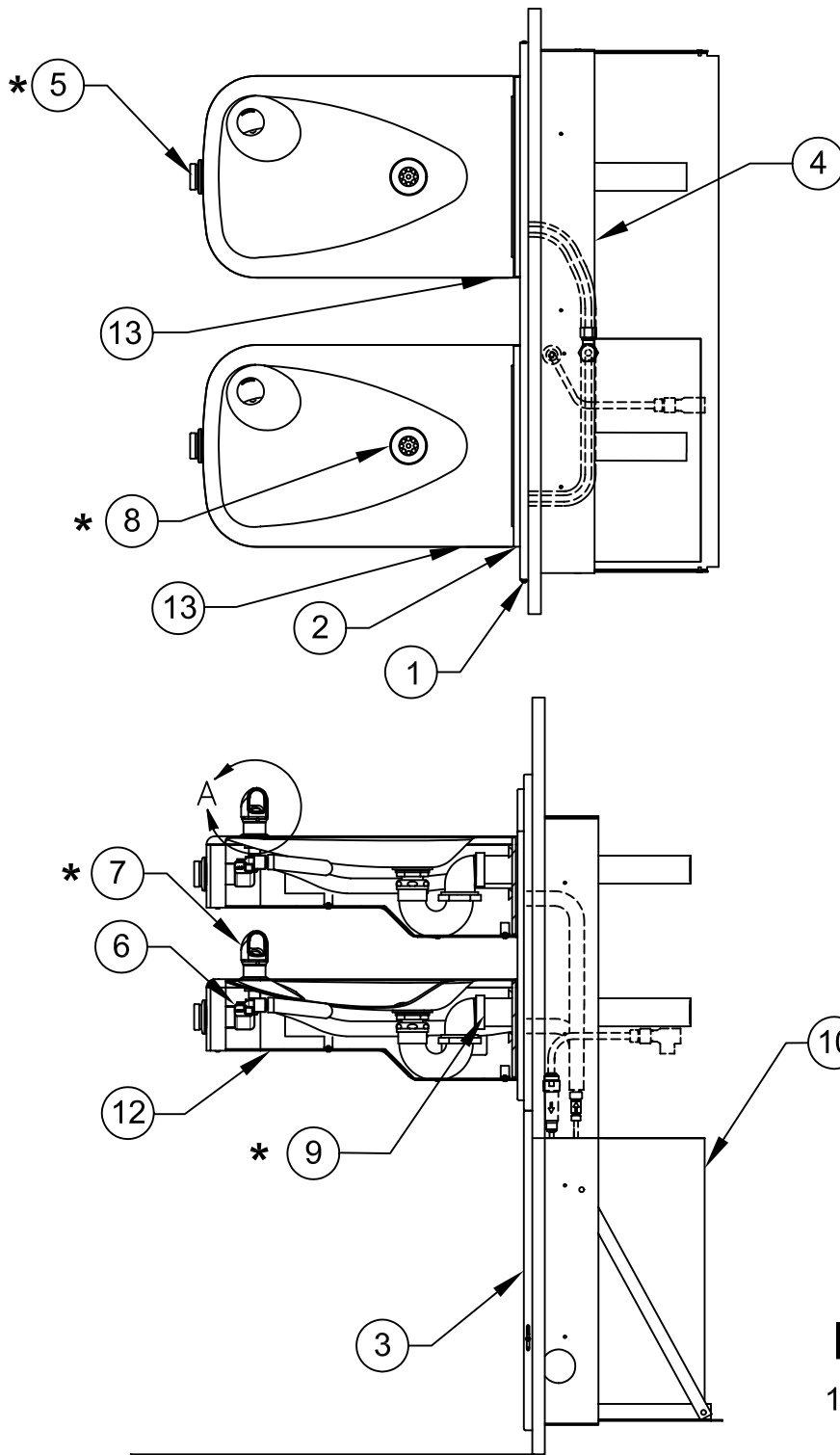
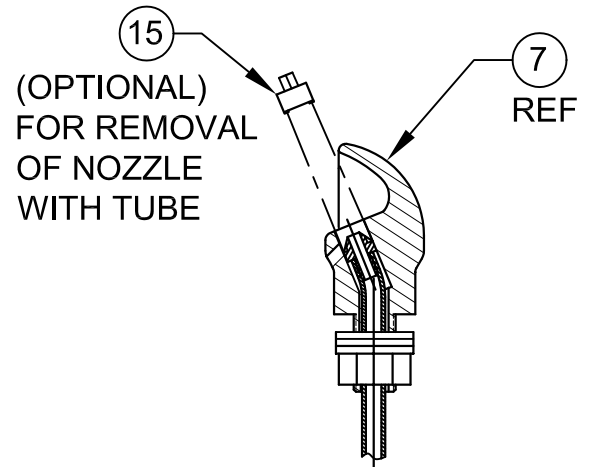


PARTS BREAKDOWN



ITEM	DESCRIPTION
1	BACK PANEL P/N 0004023590
2	SMALL BACK PANEL P/N 0004023587
3	GRILLE 1117L P/N 0002626600
4	MOUNTING FRAME MTGFR.17
5	BUTTON PBA6
6	VALVE 5874SS
*	7 HEAD ANTIMICROBIAL 5703MA
*	8 STRAINER ANTIMICROBIAL 6462A
*	9 TRAP ANTIMICROBIAL 0005982901
10	REMOTE CHILLER HCR8
11	SPANNER WRENCH P/N 0006983506
12	BOTTOM PLATE P/N 0004449315
13	LABEL ANTIMICROBIAL 0003149795
14	KEY HEX F/PINNED HEX 0002981127
15	DRIVER, NOZZLE .25 HEX 0002082253

OPTIONAL



DETAIL A
ROTATED 90° CW

NOTE:

1. ASTERISK (*) DENOTES PARTS WITH AN ANTIMICROBIAL COATING.

WHEN ORDERING PARTS PLEASE SPECIFY YOUR MODEL NUMBER



1455 KLEPPE LANE
SPARKS, NEVADA 89431
(775) 359-4712 FAX (775) 359-7424
E-MAIL: HAWS@HAWS.CO.COM
WEBSITE: WWW.HAWS.CO.COM

DRAWN BY: C.FENNER	DATE: 10/25/06	CHECK BY:	APPROV BY:	SCALE: 1/1
TITLE: H1117.8			PART NUMBER: 0002080215	
DRAWING TYPE: PARTS BREAKDOWN			DRAWING NUMBER: 15273A00	REV: 6