

HALSEY TAYLOR OWNERS MANUAL

USES HFC-134A REFRIGERANT

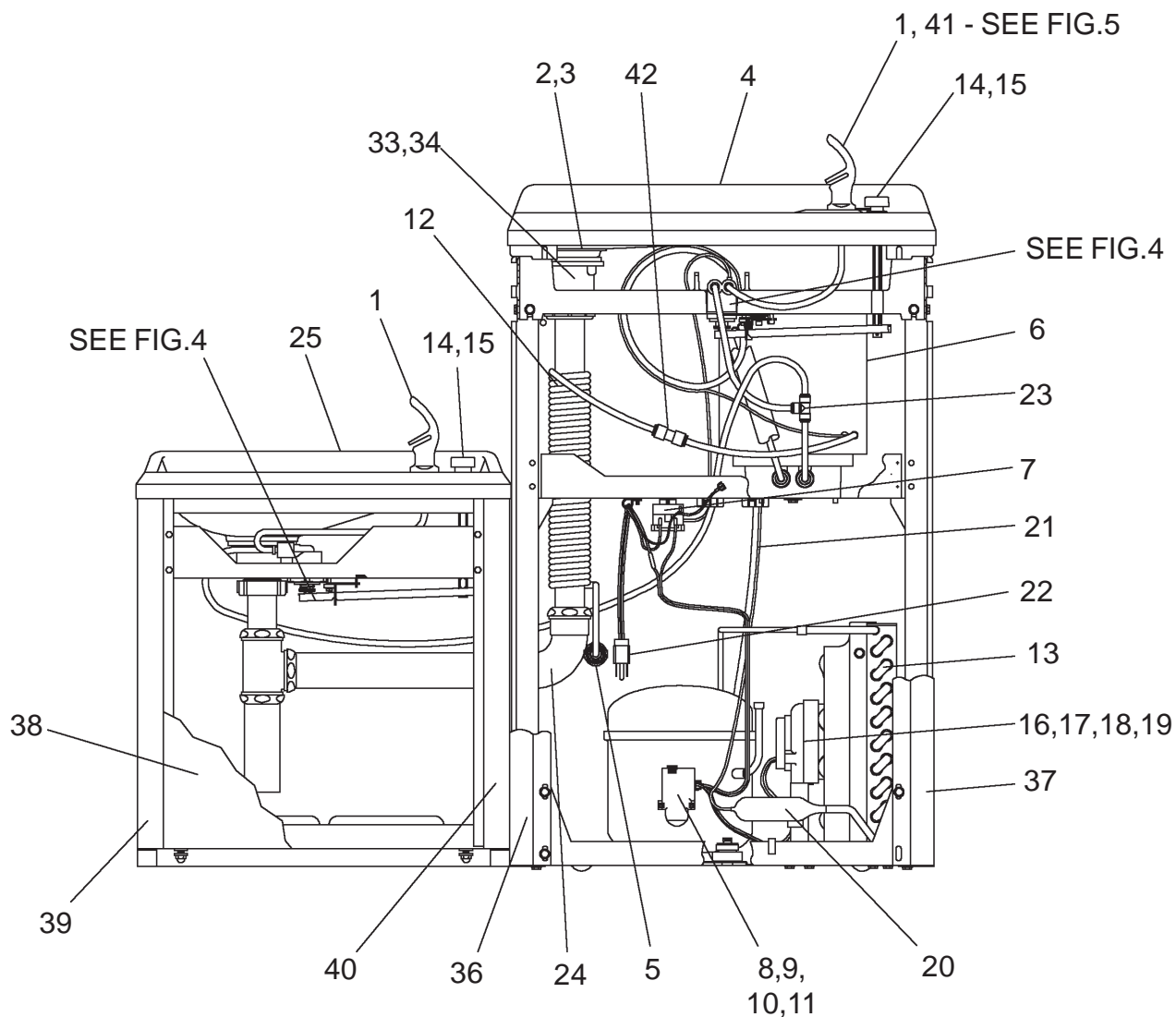


FIG. 1

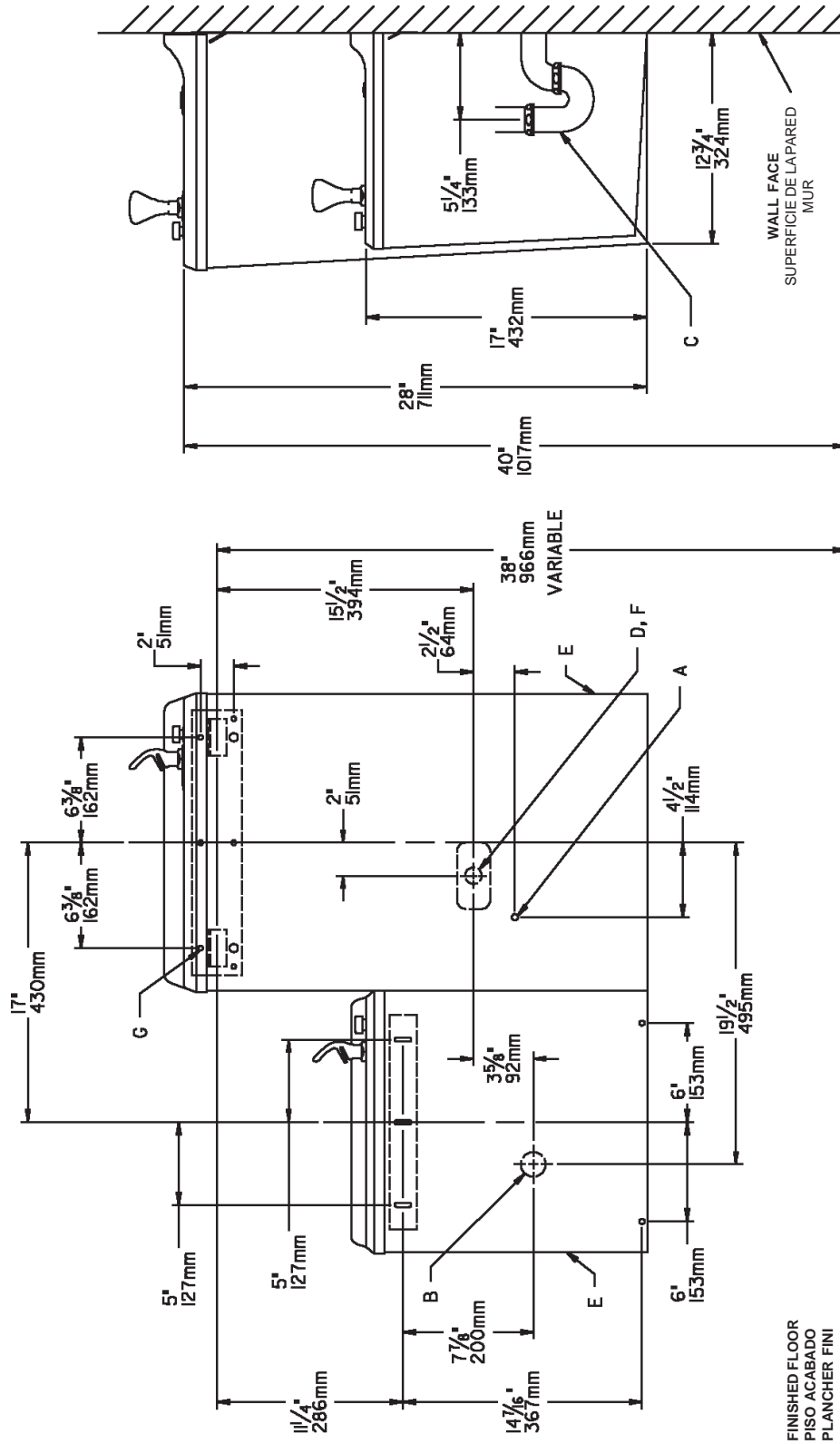


FIG. 2

LEGEND/LEYENDA/LÉGENDE
A = RECOMMENDED WATER SUPPLY LOCATION 3/8 O.D. UNPLATED COPPER TUBE CONNECT STUB OUT 1-1/2 IN. (38mm) FROM WALL SHUT OFF BY OTHERS
 SE RECOMIENDA UBICAR EL TUBO CORTO DE CONEXIÓN AL TUBO DE COBRE SIN CHAPAR DE 3/8" DE DIÁM. EXT. A 1-1/2" (38 mm) FUERA DE LA Llave DE PASO EN LA PARED COLOCADA POR TERCEROS.
 EMPLACEMENT RECOMMANDÉ D'ALIMENTATION EN EAU PAR TUBE EN CUIVRE NON PLAQUÉ DE 3/8 PO. (9.5 mm) D.E. CONNECTANT UNE TUYAUTERIE DE 1-1/2 PO. (38 mm) DEPUIS LE ROBINET D'ARRÊT FOURNI PAR D'AUTRES.

B = RECOMMENDED LOCATION FOR WASTE OUTLET 1-1/4" O.D. DRAIN
 UBICACIÓN RECOMENDADA PARA EL DRENAJE DE SALIDA DE AGUA, DE 1 1/4" DE DIÁMETRO.
 EMPLACEMENT RECOMMANDÉ POUR LE DRAIN DE D.E. 1-1/4" DE SORTIE D'EAU.

C = 1-1/4 TRAP NOT FURNISHED
 PURGADOR DE 1 1/4 NO PROPORCIONADO
 SIPHON 1-1/4 NON FOURNI

D = ELECTRICAL OUTLET LOCATION
 UBICACIÓN DE LA TOMA DE ELECTRICIDAD
 EMPLACEMENT DE LA PRISE DE COURANT

E = INSURE PROPER VENTILATION BY MAINTAINING 4" (102mm) MIN. CLEARANCE FROM CABINET LOUVERS TO WALL.
 ASEGURE UNA VENTILACIÓN ADECUADA MANTENIENDO UN ESPACIO E 4" (102mm) MIN. DE HOLSURA ENTRE LA REJILLA DE VENTILACION DEL MUEBLE Y LA PARED
 ASSUREZ-VOUS UNE BONNE VENTILATION EN GARDANT 4" (102mm) MIN. ENTRE LES ÉVENTS DE L'ENCEINTE ET LE MUR.

F = POWER CORD 4" (1219mm) LONG
 CABLE ELECTRICO DE 4" (1219mm), DE LARGO
 CORDON D'ALIMENTATION 4" (1219mm)

G = 1/4" (6mm) SCREW HOLES IN MOUNTING PLATE
 AGUJEROS DE TORNILLO 1/4" (6mm) EN LA PLACA DE MONTAJE
 TROUS DE VIS 1/4" (6mm) DANS LA PLAQUE DE MONTAGE

WM14A-BL-Q*1L WM16A-BL-Q*1K
PUSH BUTTON VALVE ADJUSTMENT

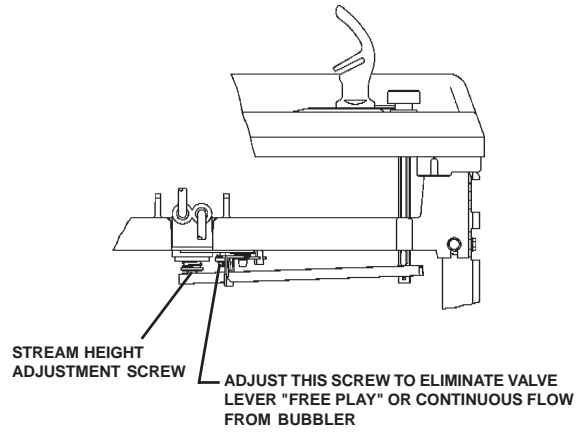


FIG. 3

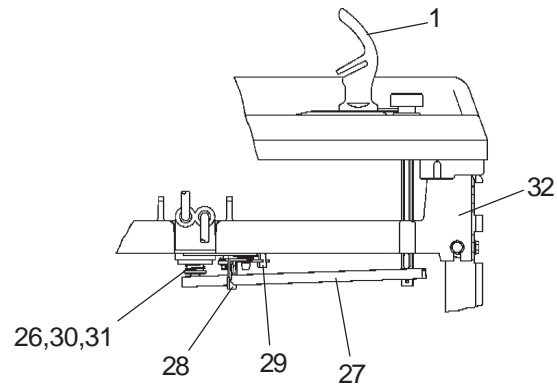
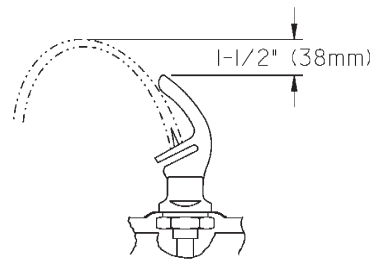


FIG. 4



CORRECT STREAM HEIGHT

FIG. 5

ITEMIZED PARTS LIST 115V

ITEM NO.	PART NO.	DESCRIPTION
1	51544C	Bubbler
2	102639931640	Drain Plug
3	160270508640	Strainer Plate
4	171454842590	Basin (Cooler)
5	55996C	Strainer
6	66506C	Evaporator
7	31513C	Cold Control
8*	35762C	Compressor Serv. Pak (14GPH)
	35774C	Compressor Serv. Pak (16GPH)
9	31027C	Overload/Relay Assy (14GPH)
	31029C	Overload/Relay Assy (16 GPH)
10	194243901550	Electrical Shield
11	35766C	Relay Cover
12	45701C	Precooler (Includes Items 36 & 37)
13	66252C	Condenser (14GPH)
	66616C	Condenser (16 GPH)
14	101453431640	Cap Push Button
15	101507531550	Push Button Stem
16	31490C	Fan Motor
17	104209543730	Fan Blade (14 GPH)
	30664C	Fan Blade (16 GPH)
18	70018C	Fan Motor Nut
19	402672043730	Fan Motor Bracket
20	66202C	Drier
21	66229C	Heat Exchanger (14GPH)
	66256C	Heat Exchanger (16GPH)
22	31517C	Power Cord
23	70682C	Tee - 1/4
24	160747051550	Continuous Waste
25	171403742590	Basin (Fountain)
26	15005C	Regulator Retaining Nut
27	26860C	Regulator Lever
28	26861C	Pivot Bracket
29	26862C	Regulator Retaining Bracket
30	50986C	Regulator Holder
31	61314C	Regulator
32	55860C	Regulator Mounting Bracket
33	75588C	Nut - Slip Joint 1-1/4
34	55913C	Adaptor - Drain
35	See Table A	Panel - Front (Not Shown)
36	See Table A	Panel - Side (LH)
37	See Table A	Panel - Side (RH)
38	See Table B	Panel - Front BL
39	See Table B	Panel - Side (LH) BL
40	See Table B	Panel - Side (RH) BL
41	15008C	Nipple - Bubbler
42	70683C	Union - 1/4

*INCLUDES RELAY & OVERLOAD. IF UNDER WARRANTY, REPLACE WITH SAME COMPRESSOR USED IN ORIGINAL ASSEMBLY.
 NOTE: All correspondence pertaining to any of the above water coolers or orders for repair parts MUST include Model No. and Serial No. of cooler, name and part number of replacement part.

COLOR TABLE - A

COLOR	ITEM 35	ITEM 36	ITEM 37
Platinum (PV)	401432248410	401471048410	401484048410
Almond (AV)	26874C	26886C	26879C
Slate (SV)	401432248440	401471048440	401484048440
Stainless Steel (SS)	401432242830	401471042830	401484042830

COLOR TABLE - B

COLOR	ITEM 38	ITEM 39	ITEM 40
Platinum (PV)	400810448410	401528248410	401528348410
Almond (AV)	26920C	26924C	26928C
Slate (SV)	400810448440	401528248440	401528348440
Stainless Steel (SS)	400810442830	401528248830	401528342830

Halsey Taylor
 2222 CAMDEN COURT
 OAK BROOK, IL 60523
 630.574.3500