



MODEL: SJ5-Q SJ8-Q SJ10-Q



Certified to NSF/ANSI 61.

CABINET

Manufactured of rust-resistant heavy gauge galvanized steel. Removable service panels.

PLUMBING CONNECTIONS

3/8" O.D. inlet and outlet (SJ5-Q and SJ10-Q)
1/4" O.D. inlet and outlet (SJ8-Q)

ELECTRICAL CONNECTION

7/8" diameter opening for conduit connection.

COOLING COIL AND STORAGE TANK

Combination tube/tank type. Tube portion is continuous coil of copper-tubing.

TEMPERATURE CONTROL

Thermostat for cooling and storage tank is factory set for 50° F water. Adjustable ± 5° F.

FAN MOTOR

Unit bearing self-lubricating type for maintenance-free longer life.

CONDENSER

Copper/aluminum construction with associated shroud.

REFRIGERATION SYSTEM

Hermetically sealed, positive start compressor with lifetime lubrication and built-in overload protection, efficient capillary sizing, large capacity dryer-strainer, and self-lubricated fan cools copper/aluminum condenser. System uses R134A refrigerant. Test pressures, highside 325 psig., lowside 140 psig. Protected by Halsey Taylor's Limited 5 Year Warranty.

ELECTRICAL

Furnished with 6" leads enclosed in junction box for direct connection to standard 115 volt, 60 Hz, single phase.

VENTILATION

SJ8-Q

When mounting unit in an open area, to insure proper ventilation, maintain a 4" (102mm) clearance from cabinet louvers on each side of cooler. When mounting unit in a cavity or behind a wall, maintain a minimum space of 4" (102mm) on each side, 4" (102mm) on the top and a depth of 12" (305mm).

SJ5-Q and SJ10-Q

It is important to insure proper ventilation. Allow a minimum clearance of 6" (152mm) in front and 3" (76mm) in the rear of the unit. If unit is to be installed in an enclosure, allow the following clearances around unit: 1 inch (25mm) on each side, 3 inches (76mm) in the rear and 3 inches (76mm) inches above wall.

NOTE: Continued product improvement makes specifications subject to change without notice. See Halsey Taylor website for most current spec sheet.

SUGGESTED SPECIFICATIONS

Shall deliver () GPH of 50°F water at 90°F ambient and 80°F inlet water. Designed for use with any drinking fountain. Compressor shall be hermetically sealed. Manufacturer shall certify unit to be lead free as defined by the Safe Drinking Water Act. System controlled by adjustable thermostat. Complies with ARI Standard 1010.

SJ5 can serve 1 fountain

SJ8 can serve 2 fountains

SJ10 can serve 3 fountains

Locate chiller within 15 feet of fountain for optimum performance.

JOB NAME: _____

ENGINEER/CONTRACTOR NAME: _____

APPROVAL: _____

DATE: _____

Remote Chillers



SJ5-Q



SJ8-Q



SJ10-Q



REMOTE CHILLERS

Model No.	GPH Capacity Cooled to 50° F*				Base Rate Cap.	F.L. Amps	Shipping Weight lb.	Rated Watt Usage
	Ambient Air Temp							
	70°F	80°F	90°F†	100°F				
SJ5-Q	6.8	6.3	5.7	5.1	5.0	3.5	72	320
SJ8-Q	9.6	8.8	8.0	7.2	8.0	3.5	47	325
SJ10-Q	11.5	10.6	9.6	8.6	10.0	6.0	73	490

* With projector service at 1 ft. from outlet and supply water at 80° F

† UL listed and complies with ARI Standard 1010

NOTE: A service supply stop (not included) should be installed at the cooler inlet line.



Remote Chillers

(CONTINUED)

MODEL: SJ5-Q

SJ10-Q

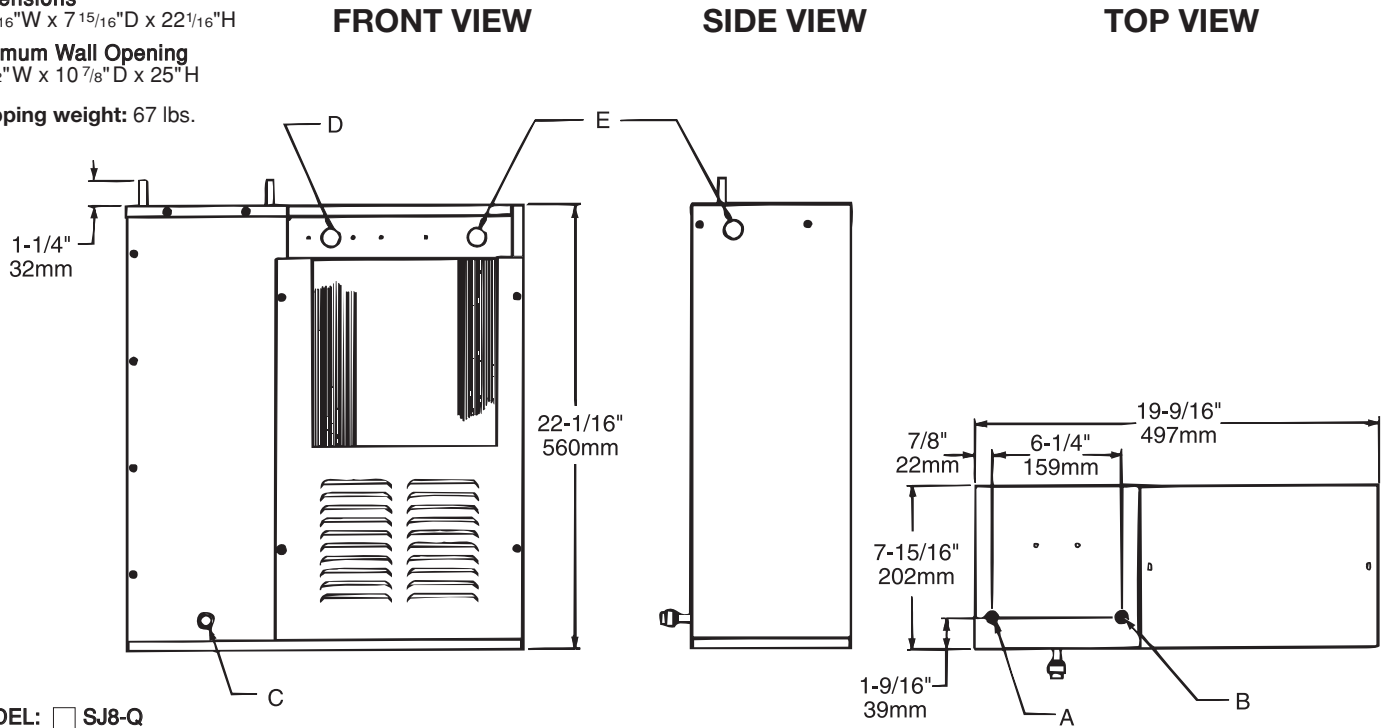
Dimensions

19⁹/₁₆" W x 7¹⁵/₁₆" D x 22¹/₁₆" H

Minimum Wall Opening

21¹/₂" W x 10⁷/₈" D x 25" H

Shipping weight: 67 lbs.



MODEL: SJ8-Q

Dimensions

13⁵/₁₆" W x 10⁵/₁₆" D x 17¹/₁₆" H

Minimum Wall Opening

21¹/₄" W x 13" D x 21" H

Shipping weight: 56 lbs.

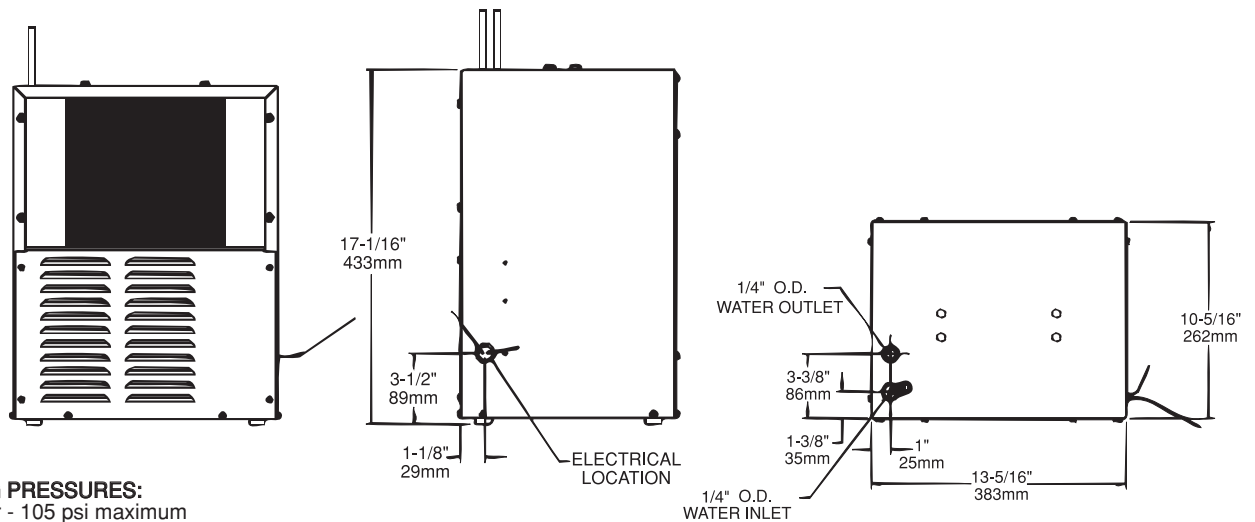
LEGEND:

- A = 3/8" O.D. TUBE WATER OUTLET
- B = 3/8" O.D. TUBE WATER INLET
- C = 3/8" O.D. TUBE TANK DRAIN
- D = TEMPERATURE ADJUSTMENT
- E = ELECTRICAL

FRONT VIEW

SIDE VIEW

TOP VIEW



OPERATING PRESSURES:

Supply water - 105 psi maximum

NOTE: A service supply stop (not included) should be installed at the cooler inlet line.

Halsey Taylor[®]