



OASIS INTERNATIONAL

# Water Coolers



Can be installed left high and right low...

**OR**



right high and left low

## UNIVERSAL BARRIER-FREE VERSACOOLER® Energy and Water Conservation Technology

### PG8ACSL, PGACSL

#### Suggested Specification

Model PG8ACSL shall deliver 8.0 gph of 50°F water at 90°F ambient and 80°F inlet water. Model PGACSL is a non-refrigerated drinking fountain and delivers ambient water. Models PG8ACSL and PGACSL shall include front and side push pads to activate the flow of water. Basin shall be designed to eliminate splashing and standing water. Water Saver Bubbler shall reduce waste water by 50%. Bubbler shall have a flexible guard and operate between 20 and 120 PSI. Cabinet finish shall be Sandstone powder coated paint on galvanized steel or brushed stainless steel. Cooling system shall use R-134a refrigerant. Shall comply with ANSI A117.1 and ADA. Shall be listed by Underwriters' Laboratories to U.S. and Canadian standards. Shall comply with ANSI/NSF 61.

#### Model

**PG8ACSL** delivers 8.0 gallons of chilled drinking water per hour. **PGACSL** is a non-refrigerated fountain.

These models satisfy CABO/ANSI A117.1. When accessory apron is used on the upper unit, this cooler will comply with ADA guidelines when properly installed. Models also meet guidelines for children's accessibility providing the floor to orifice height is 30 inches and proper clear floor space is provided for frontal approach.

#### Standard Features

- > **Universal design includes a universal side access panel and universal drain pipe** that allows the unit to be installed left high, right low **or** right high, left low
- > Built-in 100 micron strainer stops particles before they enter the waterway
- > Waterways are Lead-Free in Materials & Construction
- > Stainless Steel top
- > Flexible, one-piece Water Saver Bubbler guard
- > Heavy Duty galvanized steel frame
- > NEW High Efficiency cooling tank and coil
- > Refrigerant R-134a
- > Product Certified to NSF/ANSI Standard 61, Annex G (AB1953)
- > Four push pad activation
- > External stream height adjustment

#### Finishes

- > Standard cabinet finish: Sandstone powder coated paint on galvanized steel
- > Optional finishes (at additional cost):  
Stainless Steel, Regency Bronze, and optional powder coated finishes

#### Options

- > Glass Fillers (factory installed)
- > Push Handle (029603-004)
- > Push Back (029603-005)
- > Push Down (029603-006)
- > **Oasis Green Filtration System**
- > Apron for Upper Unit
- > Stainless Steel Bubbler

#### Installation

- > Prior to roughing, consult with local, state and federal codes for proper mounting height
- > Shipped with complete instructions and wall mounting bracket
- > Universal side access panel and universal drain pipe for right high **or** left high installation included
- > Removable side and front panels provide easy access for installation



ADA Compliant when installed in alcove or with right wing wall, or with accessory apron or with a right wing wall for a right high unit or left wing wall for a left high unit.



Components in this fountain are lead free as defined by the Safe Drinking Water Act Amendments of 1986, and the Lead Contamination Control Act of 1988.

**Powder Coated Finish Warranty** (Continental limits of the United States and Canada): Three years on the powder coat finish provided that the water cooler has not been subjected to abuse, misuse or alteration.

**Limited 5-Year Warranty** (Continental limits of the United States and Canada): Five years on the sealed refrigeration system and most component parts. Detailed warranty certificate enclosed with each water cooler; sample available upon request.

**Export Warranty:** One year on the sealed refrigeration system and most component parts. Four-year replacement contract on sealed refrigeration system. Detailed warranty certificate enclosed with each drinking fountain; sample copy available upon request.

Product Certified to NSF/ANSI Standard 61, Annex G (weighted average lead content of <=0.25%) and is in compliance with California's Health & Safety Code Section 116875 (commonly known as AB1953).

Models covered by this specification comply with all known Plumbing Codes.

Listed by Underwriters' Laboratories to U.S. and Canadian standards.



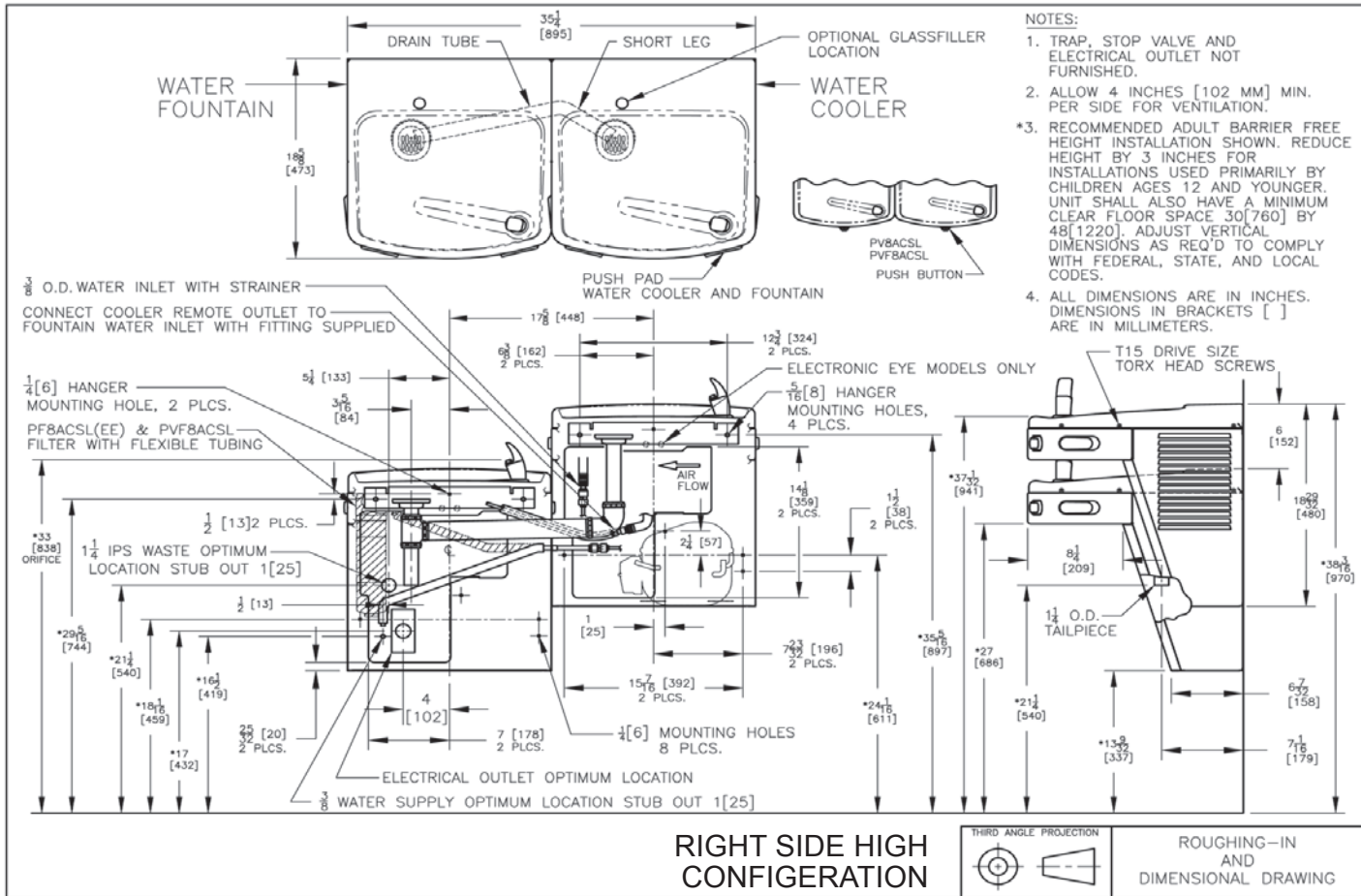
Model	50° F Drinking Water 90° F Ambient Air Temp*			Hot 'N Cold™ Model	115 Volts, 60 HZ			Glass Filler Acc. Option	Cabinet Color Finish	Net Wt. Approx.
	Rated Capacity GPH	Base Rate GPH	Pre-Cooler		Compr. HP	Full Load Amps	Rated Watts			
PG8ACSL**	8.0	8.0	No	No	1/4	3.1	286	Yes	Yes	84 Lbs.
PGACSL	Fountain Only							Yes	Yes	50 Lbs.

\* Industry Standard Rating Condition 80° F inlet water temperature.

\*\*Special export models available, operable on 220-240 volts, 50/60 Hz. UL, CSA and ARI certification not available.

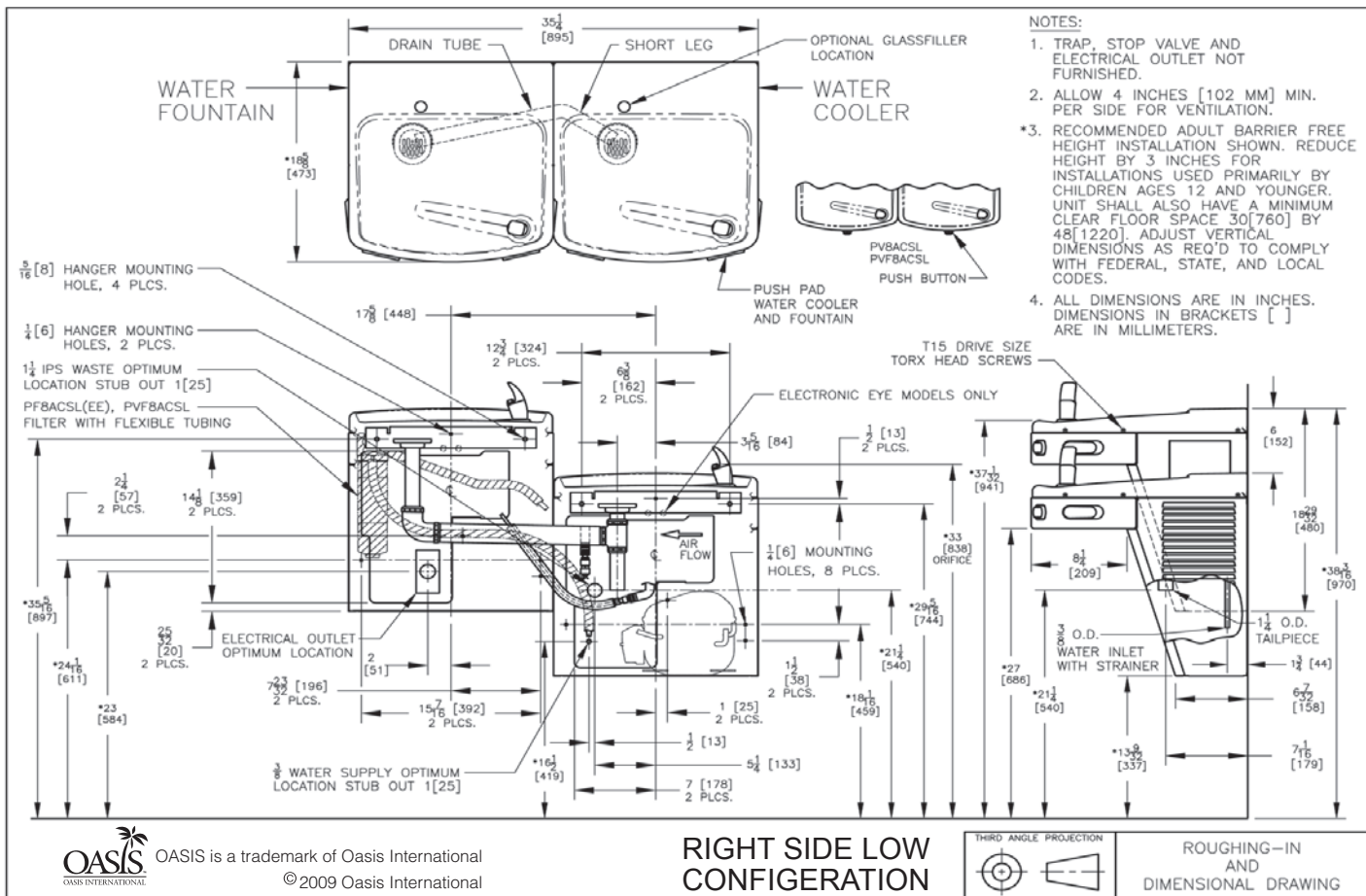
Specifications subject to change without notice

# OASIS™ BARRIER-FREE SPLIT-LEVEL Versacooler® II MODELS PACSL, P8ACSL, PGACSL, PG8ACSL, P8ACSL EE



**NOTES:**

1. TRAP, STOP VALVE AND ELECTRICAL OUTLET NOT FURNISHED.
2. ALLOW 4 INCHES [102 MM] MIN. PER SIDE FOR VENTILATION.
- \*3. RECOMMENDED ADULT BARRIER FREE HEIGHT INSTALLATION SHOWN. REDUCE HEIGHT BY 3 INCHES FOR INSTALLATIONS USED PRIMARILY BY CHILDREN AGES 12 AND YOUNGER. UNIT SHALL ALSO HAVE A MINIMUM CLEAR FLOOR SPACE 30[760] BY 48[1220]. ADJUST VERTICAL DIMENSIONS AS REQ'D TO COMPLY WITH FEDERAL, STATE, AND LOCAL CODES.
4. ALL DIMENSIONS ARE IN INCHES. DIMENSIONS IN BRACKETS [ ] ARE IN MILLIMETERS.



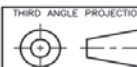
**NOTES:**

1. TRAP, STOP VALVE AND ELECTRICAL OUTLET NOT FURNISHED.
2. ALLOW 4 INCHES [102 MM] MIN. PER SIDE FOR VENTILATION.
- \*3. RECOMMENDED ADULT BARRIER FREE HEIGHT INSTALLATION SHOWN. REDUCE HEIGHT BY 3 INCHES FOR INSTALLATIONS USED PRIMARILY BY CHILDREN AGES 12 AND YOUNGER. UNIT SHALL ALSO HAVE A MINIMUM CLEAR FLOOR SPACE 30[760] BY 48[1220]. ADJUST VERTICAL DIMENSIONS AS REQ'D TO COMPLY WITH FEDERAL, STATE, AND LOCAL CODES.
4. ALL DIMENSIONS ARE IN INCHES. DIMENSIONS IN BRACKETS [ ] ARE IN MILLIMETERS.



OASIS is a trademark of Oasis International  
©2009 Oasis International

**RIGHT SIDE LOW CONFIGURATION**



ROUGHING-IN AND DIMENSIONAL DRAWING