



Water Coolers

ANTIMICROBIAL BARRIER-FREE VERSACOOLER® II WITH VERSAFILTER SYSTEM PF8AC, PFAC

Suggested Specification

Model PF8AC shall deliver 8.0 gph of 50° F degree water at 90° F ambient and 80° F inlet water. Model PFAC is a non-refrigerated drinking fountain and delivers ambient water. Shall have VersaFilter system for taste, odor and chlorine reduction, lead reduction and cyst reduction. VersaFilter system shall comply with NSF standards 42 and 53. Models PF8AC and PFAC shall include front and side push pads to activate the flow of water. Basin shall be designed to eliminate splashing and standing water. Bubbler shall have flexible guard and operate between 20 and 120 psi. Cabinet finish shall be Sandstone or Greystone powder coated paint on galvanized steel or brushed stainless steel. As a standard feature, the bubbler and push pads contain an antimicrobial silver additive (AlphaSan®) that inhibits the growth of bacteria, fungus, mold and mildew. The front nose of powder coated models also contains the antimicrobial additive in the powder coating. Cooling system shall use R-134a refrigerant. Shall comply with ANSI A117.1 and ADA. Shall be listed by Underwriters' Laboratories to U.S. and Canadian standards. Shall comply with ANSI/NSF 61.

Models

PF8AC Delivers 8.0 gallons of chilled drinking water per hour. **PFAC** is a non-refrigerated fountain. These models satisfy CABO/ANSI A117.1 and these water coolers comply with ADA requirements when properly installed. Models also meet guidelines for children's accessibility providing the floor to orifice height is 30 inches and proper clear floor space is provided for frontal approach.

Standard Features

- > AlphaSan® antimicrobial additive in bubbler, push pads and nose
- > VersaFilter system for taste, odor and chlorine reduction, lead reduction, and cyst reduction
- > Built-in 100 micron strainer stops particles before they enter the waterway
- > ANSI/NSF 61 Section 9 Classified
- > Waterways Are Lead-Free In Materials & Construction
- > Stainless Steel Top
- > Heavy Duty Galvanized Steel Frame
- > High Efficiency Cooling tank and Coil
- > Four Push Pad Activation
- > Flexible Bubbler Guard
- > Refrigerant R-134a
- > External Stream Height Adjustment

Finishes

- > Standard Cabinet Finish: Sandstone powder coated paint on galvanized steel
- > Optional finishes at no additional cost: Greystone powder coated paint on galvanized steel



- > Optional finishes at additional cost: Stainless Steel, Regency Bronze, and optional powder coated finishes

Options (at additional cost)

- > Glass Fillers (Factory Installed)
- > Push Handle (029603-004)
- > Push Back (029603-005)
- > Push Down (029603-006)
- > Stainless steel bubbler

Installation

- > Prior to roughing consult with local, state, and federal codes for proper mounting height.
- > Shipped with complete instructions and wall mounting bracket.
- > Removable side and front panels provide easy access for installation



ADA Compliant when properly installed.



Components in this fountain are lead free as defined by the Safe Drinking Water Act Amendments of 1986, and the Lead Contamination Control Act of 1988.

Powder Coated Finish Warranty (Continental limits of the United States and Canada): Three years on the powder coat finish provided that the water cooler has not been subjected to abuse, misuse, or alteration.

Limited 5-Year Warranty (Continental limits of the United States and Canada): Five years on the sealed refrigeration system and most component parts. Detailed warranty certificate enclosed with each water cooler; sample available upon request.

Export Warranty: One year on component parts. Detailed warranty certificate enclosed with each drinking fountain; sample copy available upon request.

Models covered by this specification complies with all known Plumbing Codes. Listed by Underwriters' Laboratories to U.S. and Canadian standards.

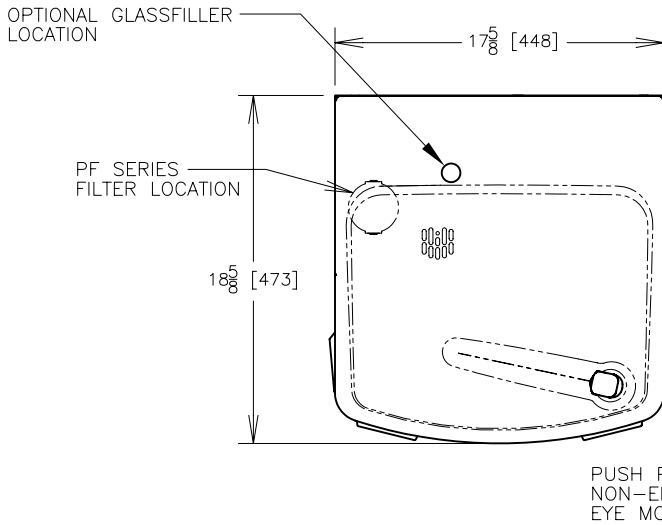


Model	50° F Drinking Water 90° F Ambient Air Temp*			Hot 'N Cold™ Model	115 Volts, 60 HZ			Glass Filler Acc. Option	Cabinet Color Finish	Net Wt. Approx.
	Rated Capacity GPH	Base Rate GPH	Pre-Cooler		Compr. HP	Full Load Amps	Rated Watts			
PF8AC**	8.0	8.0	No	No	1/4	4.6	460	Yes	Yes	59 Lbs.
PFAC	Fountain Only							Yes	Yes	25 Lbs.

* Industry Standard Rating Condition 80° F inlet water temperature.

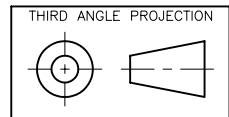
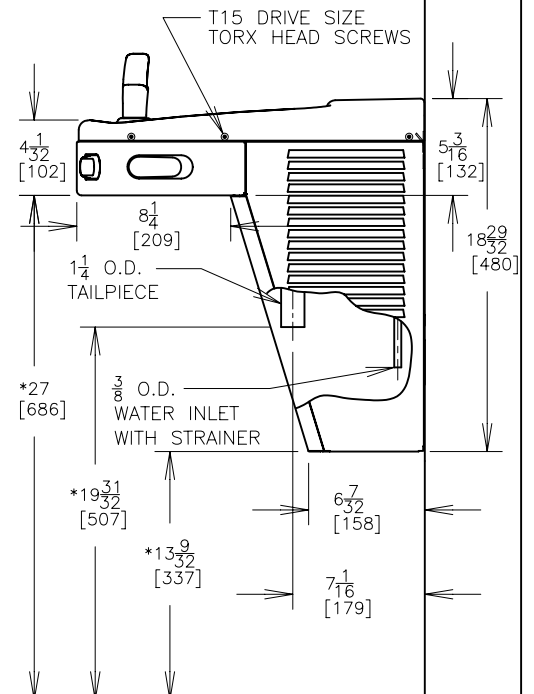
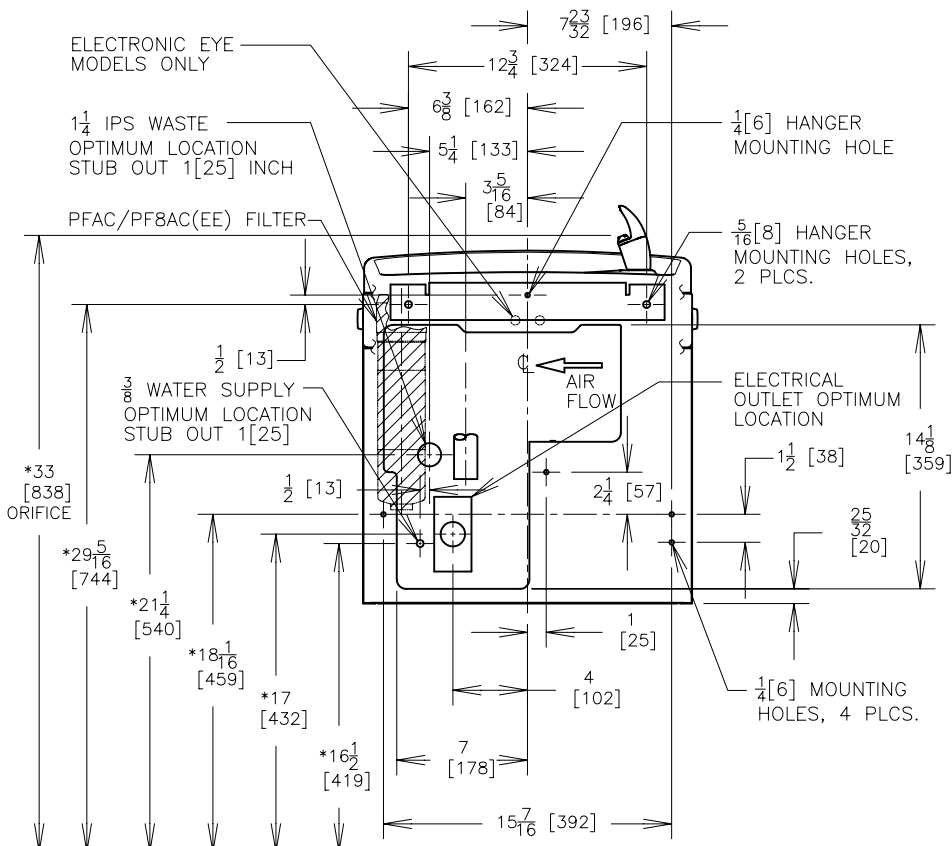
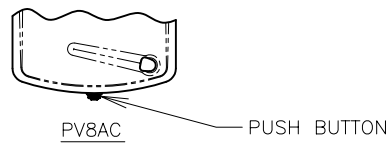
**Special export models available, operable on 220-240 volts, 50/60 Hz. UL, CSA and ARI certification not available. Specifications subject to change without notice

OASIS® BARRIER-FREE Versacooler® II MODELS P8AC, PAC, P8ACEE, PF8AC, PFAC, PF8ACEE, PV8AC



NOTES:

1. TRAP, STOP VALVE AND ELECTRICAL OUTLET NOT FURNISHED.
2. ALLOW 4 INCHES [102 MM] MIN. PER SIDE FOR VENTILATION.
- *3. RECOMMENDED ADULT BARRIER FREE HEIGHT INSTALLATION SHOWN. REDUCE HEIGHT BY 3 INCHES FOR INSTALLATIONS USED PRIMARILY BY CHILDREN AGES 12 AND YOUNGER. UNIT SHALL ALSO HAVE A MINIMUM CLEAR FLOOR SPACE 30[760] BY 48[1220]. ADJUST VERTICAL DIMENSIONS AS REQ'D TO COMPLY WITH FEDERAL, STATE, AND LOCAL CODES.
4. ALL DIMENSIONS ARE IN INCHES. DIMENSIONS IN BRACKETS [] ARE IN MILLIMETERS.



ROUGHING-IN
AND
DIMENSIONAL
DRAWING