



Water Coolers

BARRIER-FREE SPLIT-LEVEL VERSACOOLER® II

P8ACSLLEE

Suggested Specification

Model P8ACSLLEE shall deliver 8.0 gph of 50°F water at 90°F ambient and 80°F inlet water. Model P8ACSLLEE shall include an infrared sensor to activate the flow of water on the lower unit. Basin shall be designed to eliminate splashing and standing water. Bubbler shall have a flexible guard and operate between 20 and 120 psi. Cabinet finish shall be Sandstone powder coated paint or brushed stainless steel. Cooling system shall use R-134a refrigerant. Shall comply with ANSI A117.1 and ADA. Shall be listed by Underwriters' Laboratories to U.S. and Canadian standards. Shall comply with ANSI/NSF 61.

Model

P8ACSLLEE delivers 8.0 gallons of chilled drinking water per hour. The infrared sensor produces a light beam that is reflected off the user to automatically start water flowing. Not even a touch is needed on lower unit. If user does not move away within 30 seconds, water shuts off automatically. This model satisfies CABO/ANSI A117.1. When accessory apron is used on the upper unit, this cooler will comply with ADA guidelines when properly installed. Apron is not required when installed in an alcove or if a wing wall is installed on the right side for a right high unit or the left side for a left high unit. Model also meets guidelines for children's accessibility providing the floor to orifice height is 30 inches and proper clear floor space is provided for frontal approach.

Standard Features

- > Built-in 100 micron strainer stops particles before they enter the waterway
- > Waterways are lead-free in materials & construction
- > Stainless Steel top
- > Flexible bubbler guard
- > Heavy Duty galvanized steel frame
- > High Efficiency cooling tank and coil
- > Refrigerant R-134a
- > Infrared sensor activation (Low unit only)
- > External stream height adjustment



Finishes

- > Standard cabinet finish: Sandstone powder coated paint
- > Optional finishes at additional cost: Stainless Steel, Regency Bronze, and optional powder coated finishes

Options (at additional cost)

- > Available in reverse configuration from factory
- > Glass Fillers (factory installed)
- > Push Handle (029603-004)
- > Push Back (029603-005)
- > Push Down (029603-006)
- > Apron for upper unit
- > Stainless Steel bubbler

Installation

- > Prior to roughing, consult with local, state and federal codes for proper mounting height
- > Shipped with complete instructions and wall mounting bracket
- > Removable side and front panels provide easy access for installation



ADA Compliant when installed in an alcove, or with an accessory apron, or with a right wing wall for a right high unit or left wing wall for a left high unit.



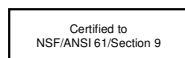
Components in this fountain are lead free as defined by the Safe Drinking Water Act Amendments of 1986, and the Lead Contamination Control Act of 1988.

Powder Coated Finish Warranty (Continental limits of the United States and Canada): Three years on the powder coat finish provided that the water cooler has not been subjected to abuse, misuse or alteration.

Limited 5-Year Warranty (Continental limits of the United States and Canada): Five years on the sealed refrigeration system and most component parts. Detailed warranty certificate enclosed with each water cooler; sample available upon request.

Export Warranty: One year on component parts. Detailed warranty certificate enclosed with each drinking fountain; sample copy available upon request.

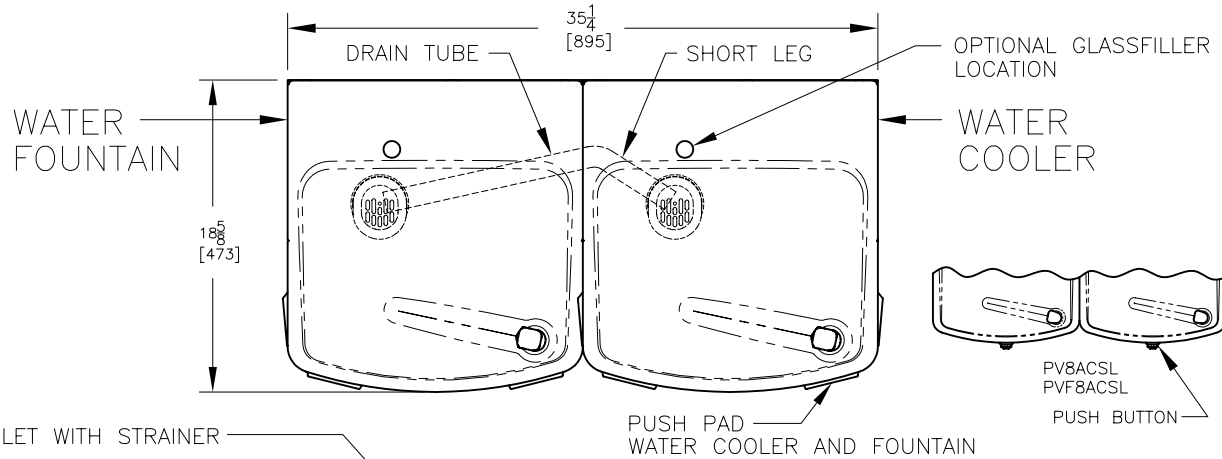
Models covered by this specification comply with all known Plumbing Codes. Listed by Underwriters' Laboratories to U.S. and Canadian standards.



Model	50°F Drinking Water 90°F Ambient Air Temperature*			Hot 'N Cold™ Model	115 Volts, 60 Hz			Glass Filler Acces. Option	Cabinet Finish Options	Net Wt. Approx.
	Rated Capacity GPH	Base Rate GPH	Pre-Cooler		Compr. HP	Full Load Amps	Rated Watts			
P8ACSLLEE	8.0	8.0	No	No	1/4	4.6	460	Yes	Yes	84 lbs.

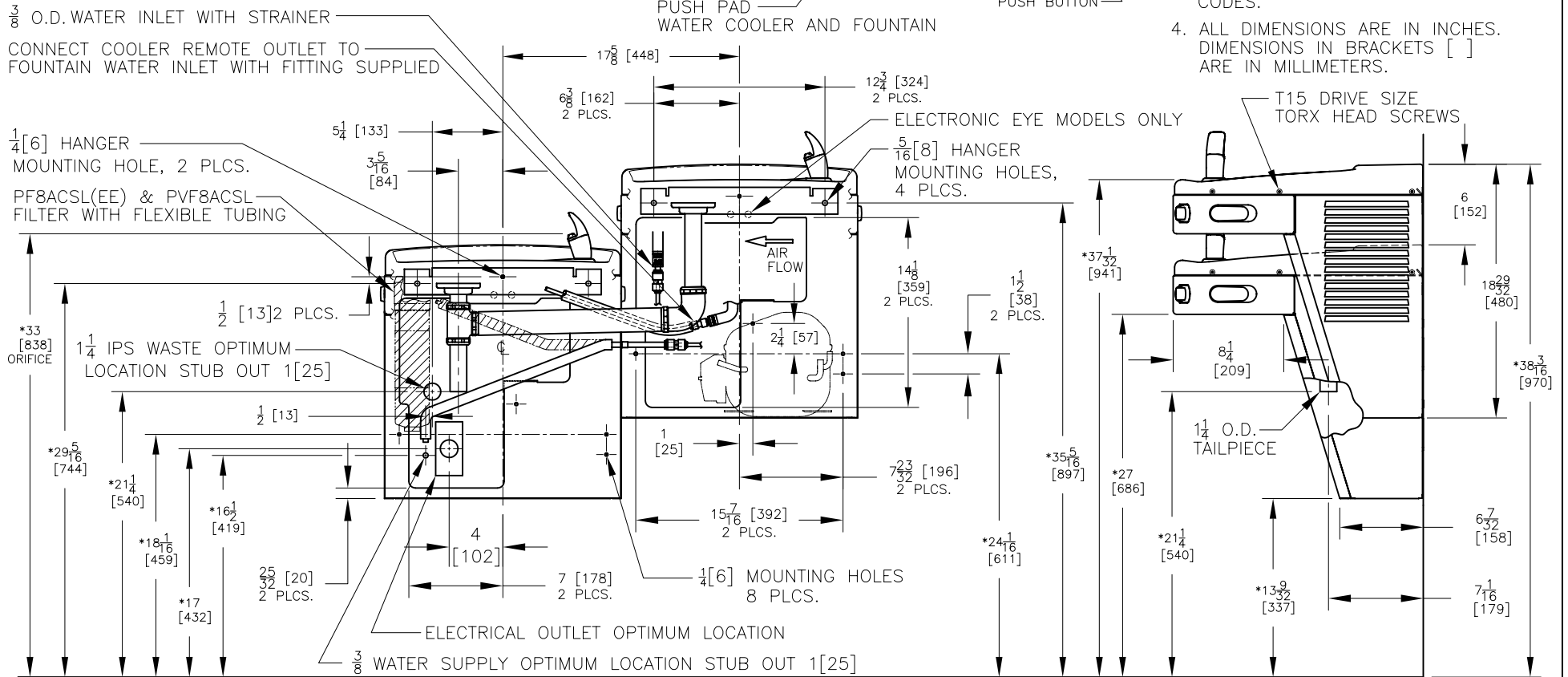
* Industry Standard Rating Condition 80°F inlet water temperature
Specifications subject to change without notice

OASIS® VERSACOOLER® II MODELS
P8ACSL, P8ACSL, PF8ACSL, PF8ACSL, PV8ACSL, PVF8ACSL
SUNROC MODELS ADA8ACB, ADA8ACBH, ADAF8ACB, ADAF8ACBH



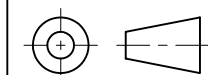
NOTES:

1. TRAP, STOP VALVE AND ELECTRICAL OUTLET NOT FURNISHED.
2. ALLOW 4 INCHES [102 MM] MIN. PER SIDE FOR VENTILATION.
3. RECOMMENDED ADULT BARRIER FREE HEIGHT INSTALLATION SHOWN. REDUCE HEIGHT BY 3 INCHES FOR INSTALLATIONS USED PRIMARILY BY CHILDREN AGES 12 AND YOUNGER. UNIT SHALL ALSO HAVE A MINIMUM CLEAR FLOOR SPACE 30[760] BY 48[1220]. ADJUST VERTICAL DIMENSIONS AS REQ'D TO COMPLY WITH FEDERAL, STATE, AND LOCAL CODES.
4. ALL DIMENSIONS ARE IN INCHES. DIMENSIONS IN BRACKETS [] ARE IN MILLIMETERS.



RIGHT SIDE HIGH
AS DELIVERED

THIRD ANGLE PROJECTION



ROUGHING-IN
AND
DIMENSIONAL DRAWING