



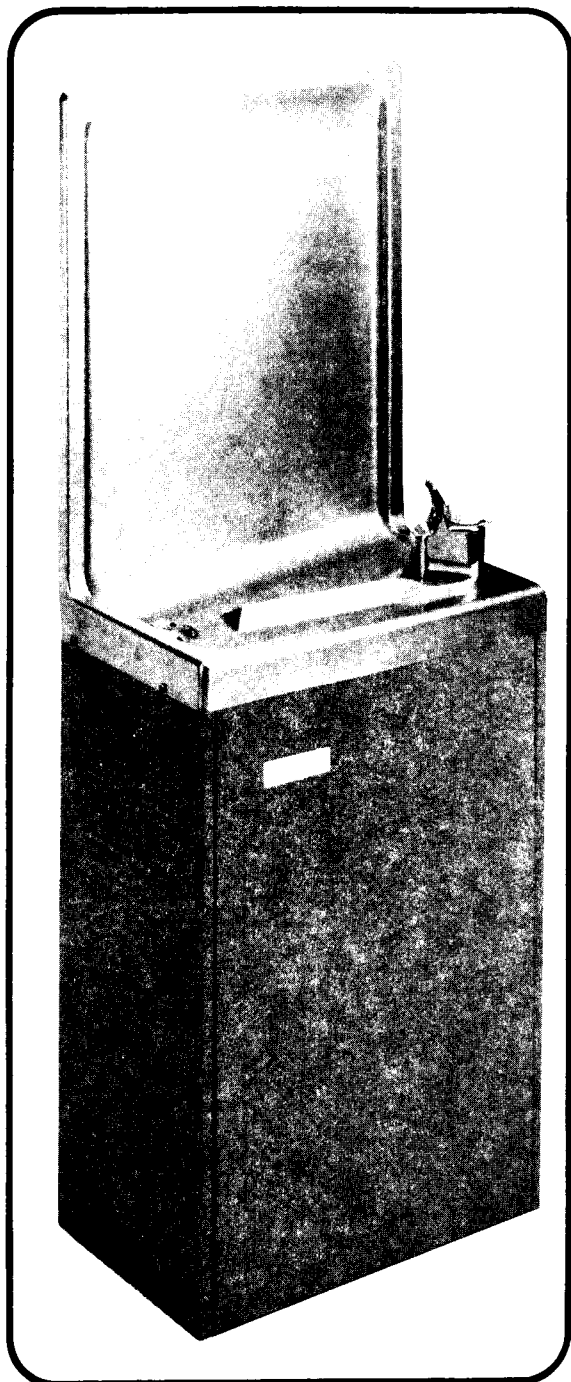
**AQUARIUS**

*Kelvinator*

White-Westinghouse®

# ILLUSTRATED PARTS BREAKDOWN

**WATER COOLER MODELS:  
PLF8SM-100 PLF14SM-100**

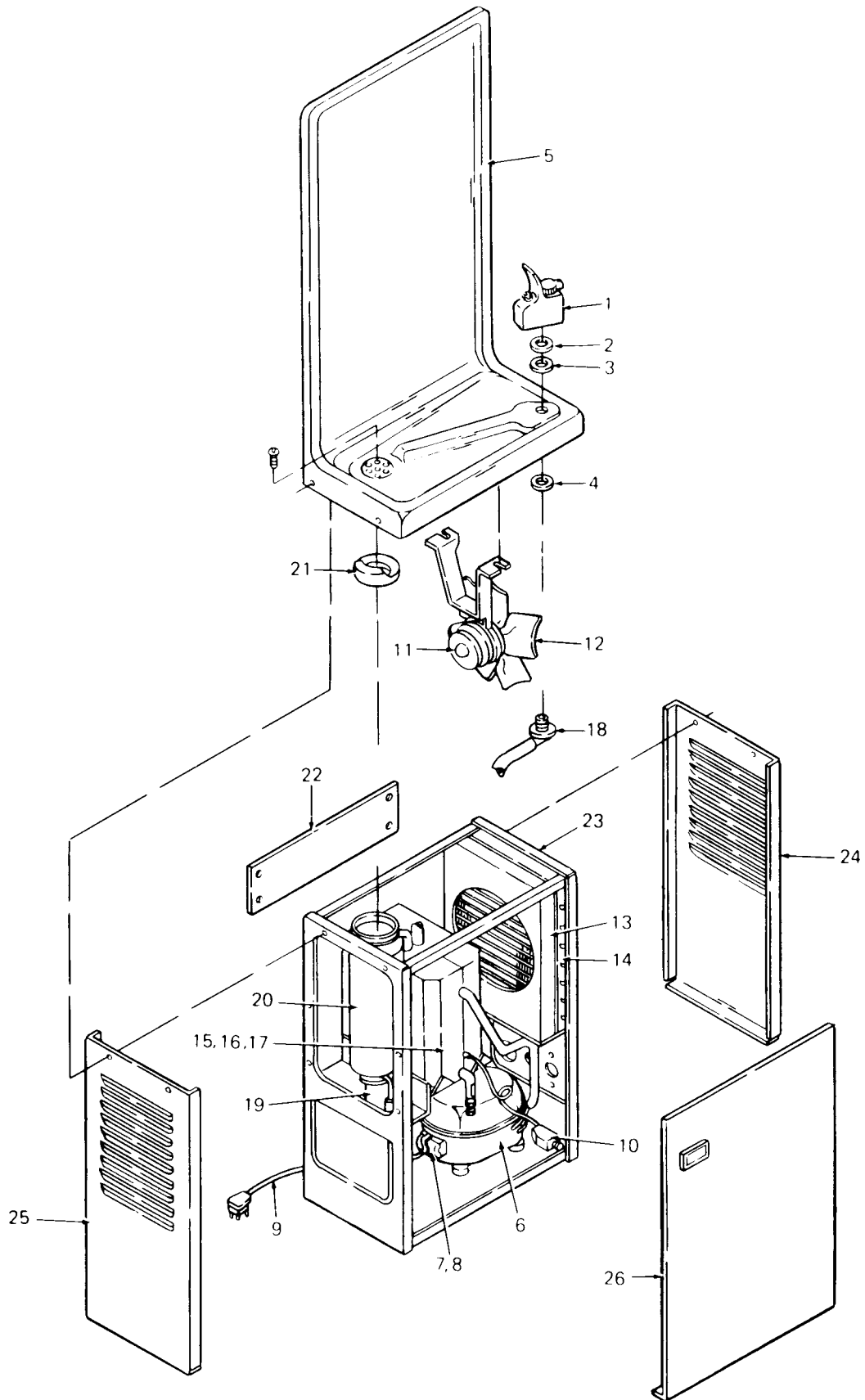


## SPECIFICATIONS

Voltage	115 VAC ±10%/1PH/60 Hertz
Size (Approx)	45" H., 17" W., 10" D.
Shipping Weight (Approx)	69 LBS.
Cold Water Capacity (GPH) *	8 and 14
Compressor (HP)	1/5
Compressor (Full Load)	5.0 AMPS
Refrigerant	134A
Refrigerant Charge	4-3/4 OZ. (135 GRAMS)

\* A.R.I. Rating: Room Temperature 90°F; Supply Water Temperature 80°F; Drinking Water Temperature 50°F.  
Based on standard test procedures.

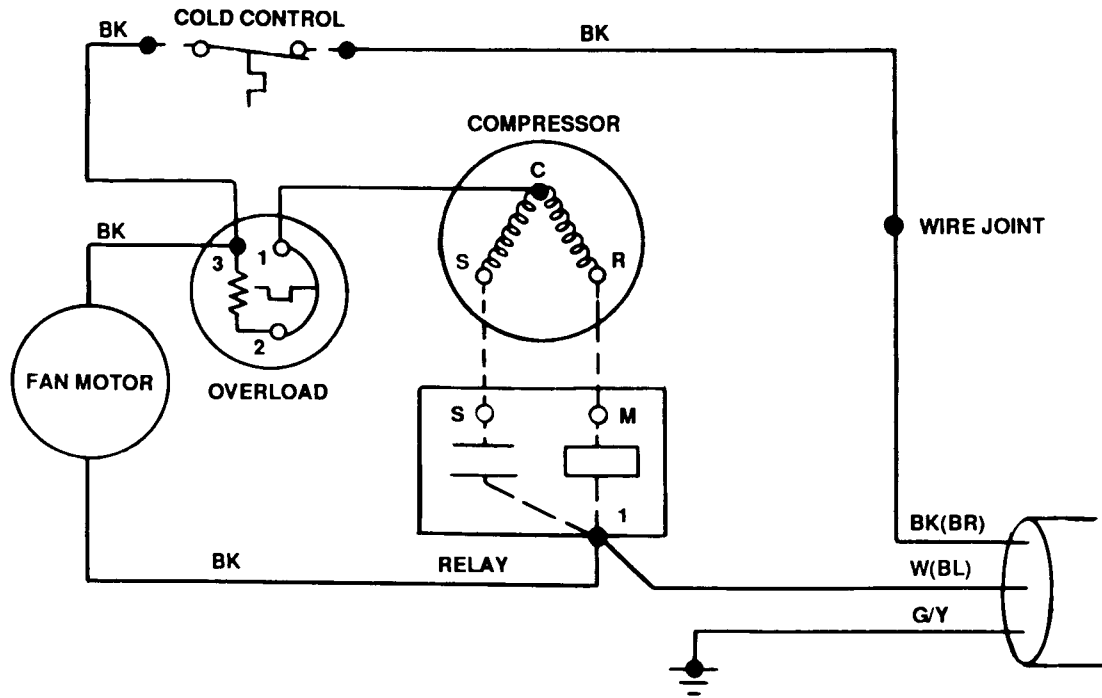
Specifications subject to change without notice.



## PARTS LIST

ITEM NO.	DESCRIPTION	PLF8SM	PLF14SM
1	12000A Bubbler Valve .....	030774-002	030774-002
2	Valve Body Gasket .....	028706-006	028706-006
3	Friction Washer .....	028706-013	028706-013
4	Bubbler Spud Gasket .....	028706-001	028706-001
5	Simulated Recessed Top – Stainless Steel .....	028849-001	028849-001
6	Compressor Assembly (Includes Items 7 and 8) .....	031525-003	031525-003
7	Relay .....	031698-001	031698-001
8	Overload .....	031697-001	031697-001
9	Service Cord .....	026540-040	026540-040
10	Cold Control .....	027040-007	027040-007
11	Fan Motor .....	027354-026	027354-026
12	Fan Blade .....	022977	022977
13	Shroud .....	029125-001	029125-001
14	Condenser .....	029111-002	029111-002
15	Insulated Cooling Tank Assembly .....	029127-003	029127-004
16	Cooling Tank Insulation, LH .....	028661-001	028661-001
17	Cooling Tank Insulation, RH .....	028660-001	028660-001
18	Bubbler Supply Spud .....	029177-001	029177-001
19	Precooler Assembly .....	---	029118-001
20	Insulated Waste Assembly .....	022999-003	---
21	Waste Gasket .....	018050	018050
22	Hanger Bracket and Barrier Assembly .....	025662-003	025662-003
23	Frame Assembly .....	029122-001	029122-001
24	Right Side Panel – Sandstone .....	022969-002	022969-002
	Right Side Panel – Stainless Steel .....	023013	023013
25	Left Side Panel – Sandstone .....	022978-002	022978-002
	Left Side Panel – Stainless Steel .....	023012	023012
26	Front Panel – Sandstone .....	019644-002	019644-002
	Front Panel – Stainless Steel .....	019646	019646
<b>NOT SHOWN</b>			
	Refrigerant Drier .....	031593-003	031593-003

# ELECTRICAL DIAGRAM



OASIS® & AQUARIUS® are registered trademarks of EBCO Manufacturing Company  
 The trademarks Kelvinator® and White-Westinghouse® are used under license from White Consolidated Industries, Inc.

**EBCO**® MANUFACTURING COMPANY

265 N. Hamilton Rd. • P.O. Box 13150 • Columbus, OH 43213-0150 • 614/861-1350 • Fax: 614/861-5017

Printed in U.S.A.  
 Copyright 1994 EBCO Manufacturing Co.