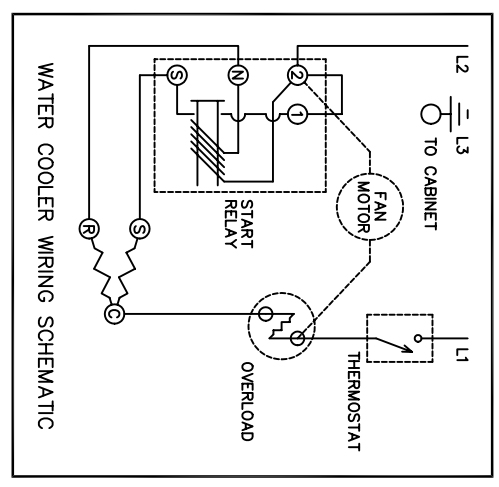
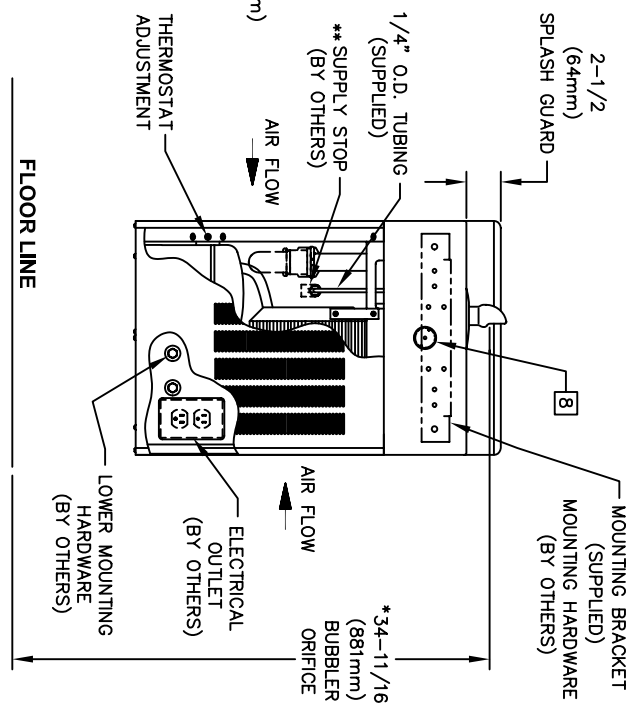
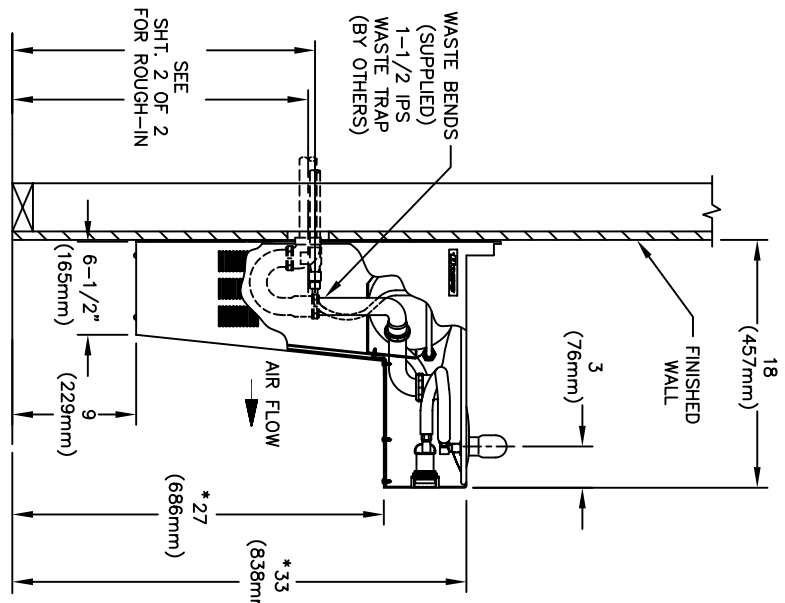
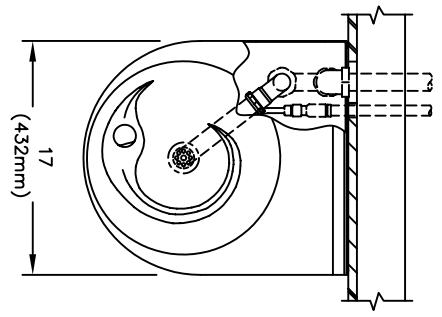


NOTES:

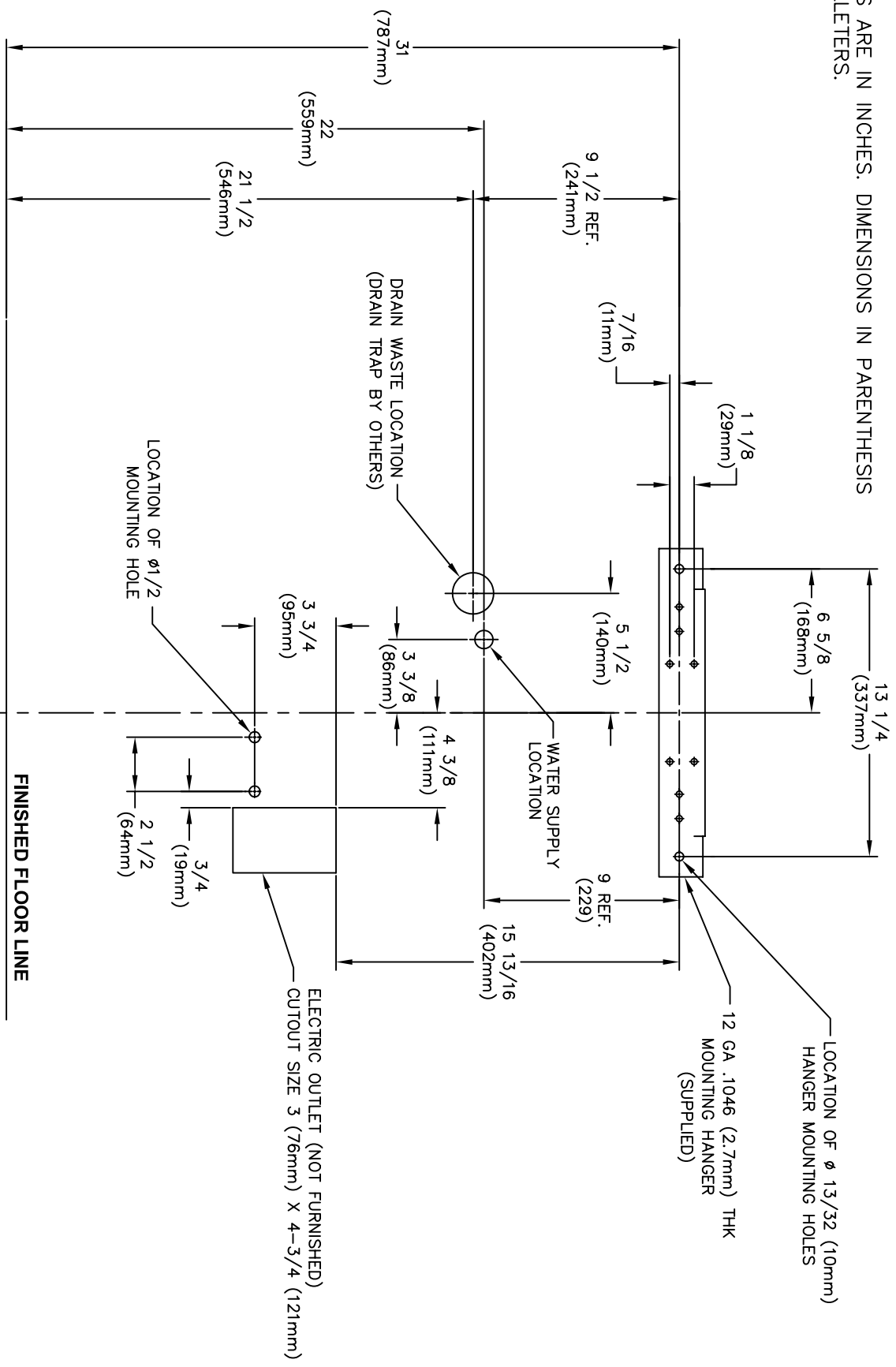
1. HOLD ROUGH-IN DIMENSIONS ±1/8" (3.2mm).
 2. *WHEN INSTALLING THIS UNIT, LOCAL, STATE, OR FEDERAL CODES SHOULD BE ADHERED TO. FOR INSTALLATION HEIGHTS OTHER THAN SHOWN, DIMENSIONS MARKED (*) MUST BE ADJUSTED ACCORDINGLY.
 3. **INSTALLER SHOULD PROVIDE SUPPLY STOP FOR PROPER INSTALLATION.
 4. POWER FURNISHED WITH A THREE PRONG PLUG.
 5. ALLOW 4 INCHES (102mm) MIN. CLEARANCE PER SIDE FOR VENTILATION.
 6. SEE SHEET 2 FOR ROUGH-IN DIMENSIONS.
 7. DIMENSIONS ARE IN INCHES. DIMENSIONS IN PARENTHESIS ARE IN MILLIMETERS.
- [B] REFER TO 5874/VRK5874 OPERATION AND MAINTENANCE MANUAL FOR PUSH BUTTON AND VALVE INSTALLATION/MAINTENANCE INSTRUCTIONS.



1455 KLEPPE LANE
SPARKS, NEVADA 89431
(775) 359-4712 FAX (775) 359-7424
E-MAIL: HAWS@HAWS.CO.COM
WEBSITE: WWW.HAWS.CO.COM

EON NO.:	THERMISTOR	MDEL(S):	HWBFAB, VRC
INSTRUMENT	EON: 4940	INFO FAX DOC #:	24923872
RTM	DATE: 10/98	INSTALLATION/REPAIR	
APPROVER:		SIZE: A	SHEET: 1 OF 2

NOTES:
 HOLD ROUGH-IN DIMENSIONS ±1/8" (3.2mm).
 DIMENSIONS ARE IN INCHES. DIMENSIONS IN PARENTHESIS ARE IN MILLIMETERS.



ROUGH-IN LOCATIONS FOR HWBFAR.VRC

OF FOUNTAIN

FINISHED FLOOR LINE



1455 KLEPPE LANE
 SPARKS, NEVADA 89431
 (775) 359-4712 FAX (775) 359-7424
 E-MAIL: HAWS@HAWS.CO.COM
 WEBSITE: WWW.HAWS.CO.COM

EQ. NO.:	10998	DATE:	10/98	MODELS:	HWBFAR.VRC
TRANS.:	ECK-4340	CHKD.:		INFO FAX DOC #:	24923872
RTM:		APPROVED:		INSTALLATION/FABR.:	
REV.:		DATE:		SIZE:	A
REV.:		DATE:		SHEET:	2 OF 2
REV.:		DATE:		NO.:	002080288 D
REV.:		DATE:		NO.:	13791A00
REV.:		DATE:		NO.:	11