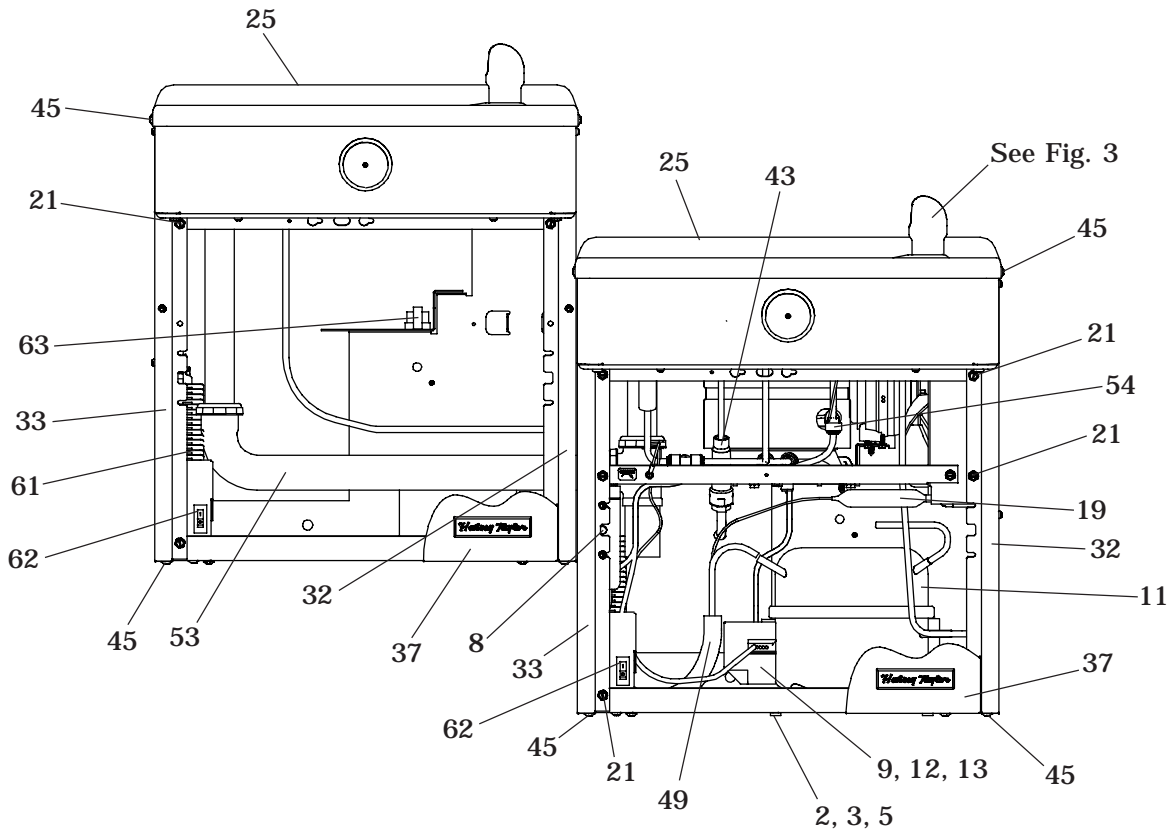
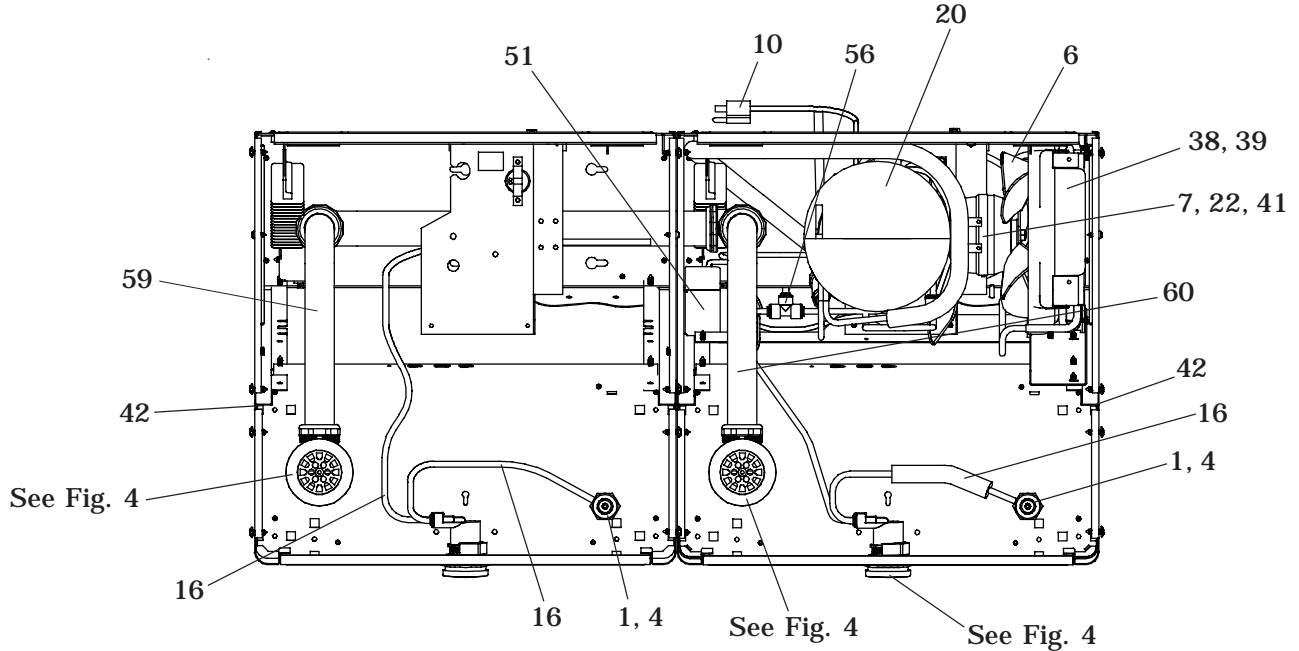


Halsey Taylor OWNERS MANUAL

HVRBLFR™ Series Barrier-Free Water Coolers

Uses HFC-134A refrigerant



NOTE: Non-refrigerated units do not include all electrical and refrigeration components shown above. Other components and rough-in are the same as shown.

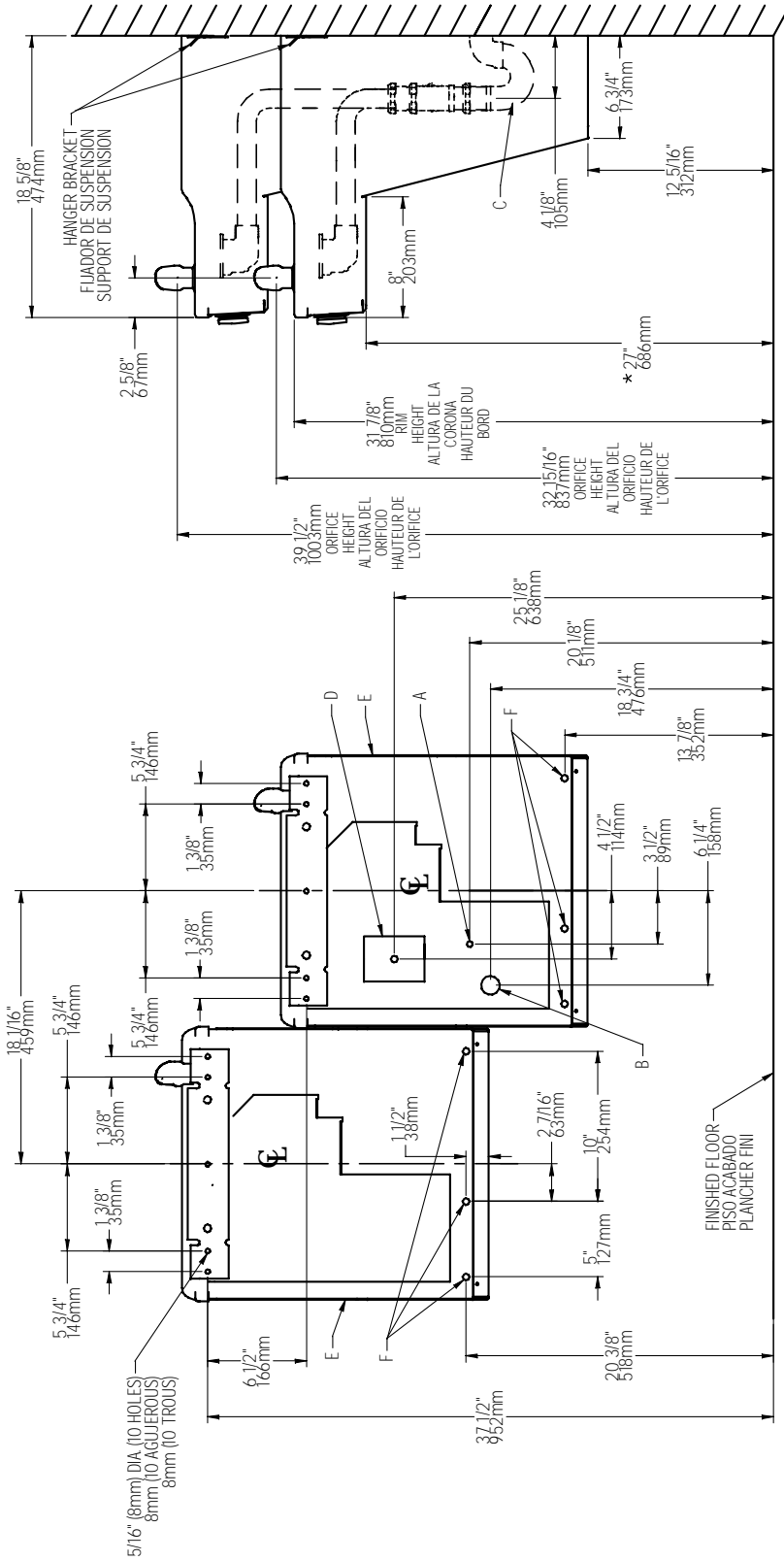


FIG. 2

REDUCE HEIGHT BY 3" FOR INSTALLATION OF CHILDRENS ADA COOLER

LEGEND/LEYENDA/LÉGENDE

- A = RECOMMENDED WATER SUPPLY LOCATION 3/8 O.D. UNPLATED COPPER TUBE CONNECT STUB WITH SHUT OFF (BY OTHERS) 3 IN. (76mm) MAXIMUM OUT FROM WALL
- B = RECOMMENDED LOCATION FOR WASTE OUTLET 1-1/2" O.D. DRAIN STUB 2 IN. OUT FROM WALL
- C = 1-1/2" TRAP NOT FURNISHED
- D = ELECTRICAL SUPPLY (3) WIRE RECESSED BOX
- E = INSURE PROPER VENTILATION BY MAINTAINING 6" (152 mm) (MIN.) CLEARANCE FROM CABINET LOUVERS TO WALL.
- F = 7/16 BOLT HOLES FOR FASTENING UNIT TO WALL

* ADA REQUIREMENT

**IMPORTANT
ALL SERVICE TO BE PERFORMED BY
AN AUTHORIZED SERVICE PERSON**

**HANGER BRACKETS & TRAP
INSTALLATION**

- 1) Remove hanger bracket fastened to back of cooler by removing one (1) screw.
 - 2) Mount the hanger bracket and trap as shown in Figure 2.
- NOTE:** Hanger Bracket **MUST** be supported securely. Add fixture support carrier if wall will not provide adequate support.

IMPORTANT:

- 6 1/4 in. (159mm) dimension from wall to centerline of trap must be maintained for proper fit.
 - Anchor hanger securely to wall using all five (5) 1/4 in. dia. mounting holes.
- 3) Install straight valve for 3/8" O.D. tube.

INSTALLATION OF COOLER

- 4) Hang the cooler on the hanger bracket. Be certain the hanger bracket is engaged properly in the slots on the cooler back as shown in Figure 2.
- 5) Loosen the two (2) screws holding the lower front panel at the bottom of cooler base and two (2) screws at the top (**Use torx bits sold separately**). Remove the front panel and set aside.
- 6) Connect water inlet line--See Note 4 of General Instructions.
- 7) Remove the slip nut and gasket from the trap and install them on the cooler waste line making sure that the end of the waste line fits into the trap. Assemble the slip nut and gasket to the trap and tighten securely. Recommend fastening cooler to wall using 7/16 bolt holes. (see fig.2, "F")

START UP

Also See General Instructions

- 8) Stream height is factory set at 45-50 PSI. If supply pressure varies greatly from this, adjust screw using the access hole in the pushbutton (insert screwdriver). CW adjustment will raise stream and CCW adjustment will lower stream. For best adjustment, stream should hit basin approximately 6-1/2" (165mm) from bubbler.

| Refrig. Unit | COLOR TABLE | | | | | | |
|--------------|-----------------|-------------------------|-------------------------|-------------------------|-------------------------|-------------------------|-------------------------|
| | PANEL COLOR | Item No. 32 Part No. | Item No. 33 Part No. | Item No. 34 Part No. | Item No. 35 Part No. | Item No. 36 Part No. | Item No. 37 Part No. |
| | Stainless Steel | 28525C | 28536C | 28519C | 28522C | 28516C | 22955C |

| Left Unit | COLOR TABLE | | | | | | |
|-----------|-----------------|-------------------------|-------------------------|-------------------------|-------------------------|-------------------------|-------------------------|
| | PANEL COLOR | Item No. 32 Part No. | Item No. 33 Part No. | Item No. 34 Part No. | Item No. 35 Part No. | Item No. 36 Part No. | Item No. 37 Part No. |
| | Stainless Steel | 28539C | 28528C | 28519C | 28522C | 28516C | 22955C |

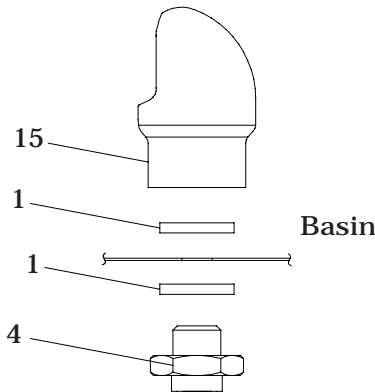


Fig. 3

VANDAL RESISTANT BUBBLER DETAIL

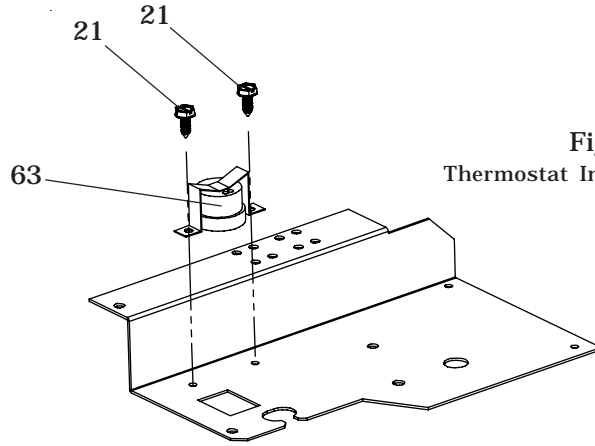
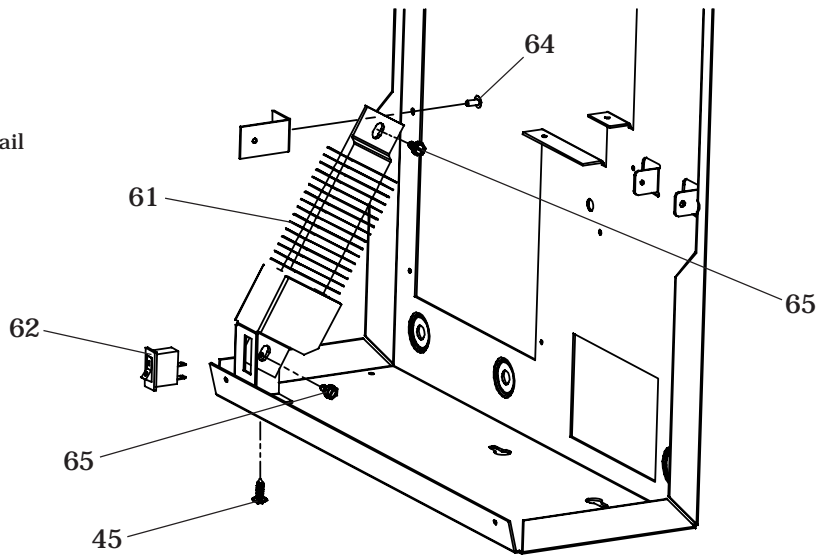


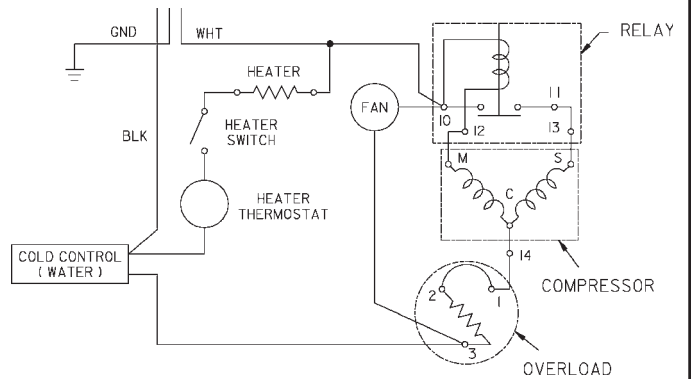
Fig. 5
Thermostat Installation Detail

Fig. 6
Heater Strip Detail



WARNING!

This unit is frost resistant down to 0° F with no wind. Prevailing winds can reduce the ability of the heater element to prevent light freezing. If the ambient air temperature will drop below 0° F, the cooler needs to be drained of all water by blowing out all water lines, evaporator (item 20), and the drain trap. A heater strip is used to heat the unit and will begin to cycle at 40° +/- 5° F. A check at this temperature will ensure the heater is working and the unit is resistant to light freezing. **ALSO, MAKE SURE THERE ARE NO PLASTIC OR FLAMMABLE COMPONENTS DIRECTLY ABOVE THE HEATER STRIP.**



Wiring Diagram

115V PARTS LIST

| ITEM NO. | PART NO. | DESCRIPTION |
|----------------------|-----------------|---------------------------------------|
| 1 | 56305C | Gasket - Bubbler |
| 2 | 100806740570 | Grommet - Compressor Mtg. |
| 3 | 101516143550 | Stud - Compressor Mtg. |
| 4 | 15009C | Nipple - Bubbler |
| 5 | 19037000 | Clip - Compressor Mtg. |
| 6 | 30664C | Fan Blade |
| 7 | 31490C | Fan Motor |
| 8 | 31513C | Cold Control |
| 9 | 35768C | Cover - Relay |
| 10 | 35900C | Power Cord (RH Unit) |
| | 36012C | Power Cord (LH Unit) |
| *11 | 36094C | Compressor Serv. Pak EMI 70 |
| 12 | 36158C | Overload |
| 13 | 35959C | Relay |
| 14 | 50986C | Holder - Regulator |
| 15 | 45866C | Bubbler Assy. |
| 16 | 56092C | Tubing - Poly (Cut To length) |
| 17 | 15005C | Retaining Nut |
| 18 | 61313C | Regulator |
| 19 | 66703C | Drier |
| 20 | 66534C | Evaporator Assembly |
| 21 | 70002C | Screw - #10 x 1/2" Lg. HHSM |
| 22 | 70009C | Screw - Fan Motor |
| 23 | 100147140560 | Gasket - Drain |
| 24 | 28617C | Screen - VR |
| 25 | 28462C | Basin - Stainless Steel |
| 26 | 22897C | Panel - Bottom Dispenser |
| 27 | 45662C | Button - Push |
| 28 | 45737C | Sleeve - Push Button |
| 29 | 75672C | Cap Screw |
| 30 | 110868642550 | Screw - #10 - 24 x .75 Socket Head |
| 31 | 28596C | Panel - Screen |
| 32 | See Color Table | Panel - RH Rear |
| 33 | See Color Table | Panel - LH Rear |
| 34 | See Color Table | Panel - RH Dispenser Side |
| 35 | See Color Table | Panel - LH Dispenser Side |
| 36 | See Color Table | Panel - Dispenser Front |
| 37 | See Color Table | Panel - Front Lower |
| 38 | 66743C | Condenser |
| 39 | 56237C | Shroud Fan |
| 40 | 40045C | Hex Nut |
| 41 | 70018C | Hex Nut - Fan Blade |
| 42 | 75524C | Clip (Front & Rear Panels) |
| 43 | 55996C | Strainer (See "General Instructions") |
| 44 | 45736C | Half Nut - Regulator |
| 45 | 75570C | Screw - #10 x .50 Pinned Torx |
| 46 | 75661C | Screw - #8 x .50 Pinned Torx |
| 47 | 70864C | Screw - #8 x .62 Torx/Slot |
| 48 | 56033C | Washer |
| 49 | 66576C | Heat Exchanger |
| 50 | 160270508640 | Strainer - Bright |
| 51 | 27124C | Cover - Cold Control |
| 52 | 55931C | Cover - Dispenser Bottom |
| 53 | 40022C | Drain Tube Assy. |
| 54 | 75583C | Elbow |
| 55 | 56121C | Drain Elbow |
| 56 | 70682C | Tee 1/4 |
| 57 | 600985451640 | Plug - Drain 1-1/2CP |
| 58 | 75588C | Nut - Slip Joint 1-1/4 |
| 59 | 66773C | Wasteline (LH unit) |
| 60 | 66759C | Wasteline (Refrig. Unit) |
| 61 | 35906C | Heater Strip |
| 62 | 35907C | Switch - Rocker |
| 63 | 35909C | FR Thermostat Assy. |
| 64 | 70432C | Screw - 8-32 x .38 THTC |
| 65 | 75506C | Screw - #10 x .75 HHSM |
| 66 | 75589C | Gasket |
| Sold Separate | 75520C | Torx Tool - T25 |
| Sold Separate | 75523C | Torx Tool - T20 |
| NS | 28551C | Hanger Bracket |

***REPLACE WITH SAME COMPRESSOR USED IN ORIGINAL ASSEMBLY.**

NOTE: All correspondence pertaining to any of the above water coolers or orders for repair parts MUST include Model No. and Serial No. of cooler, name and part number of replacement part.

Halsey Taylor®

2222 CAMDEN COURT
OAK BROOK, IL 60523
630.574.3500

PRINTED IN U.S.A.

FOR PARTS CONTACT YOUR LOCAL DISTRIBUTOR OR VISIT OUR WEBSITE WWW.HALSEYTAYLOR.COM