

Halsey Taylor® Owners Manual

MANUAL DEL PROPIETARIO HALSEY TAYLOR
MANUEL DE L'UTILISATION HALSEY TAYLOR

HVRBLFR™ Series Vandal-Resistant Water Coolers
Serie HVRBLFR™ enfriadores de agua a prueba de agresiones
Série HVRBLFR™ anti-vandalisme refroidisseurs d'eau



Note: Danger! Electric shock hazard. Disconnect power before servicing unit.

Uses HFC-134A refrigerant

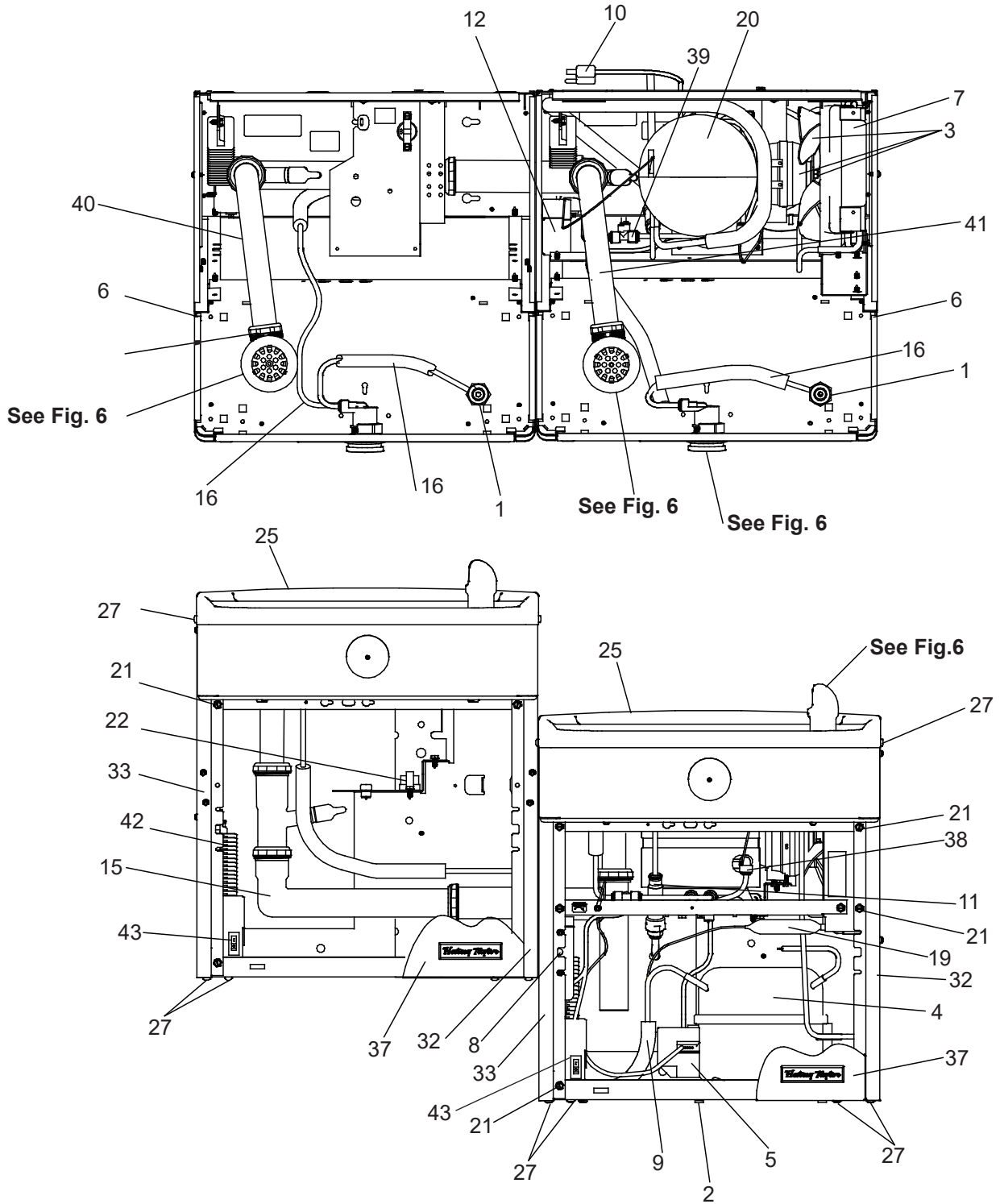


FIG. 1

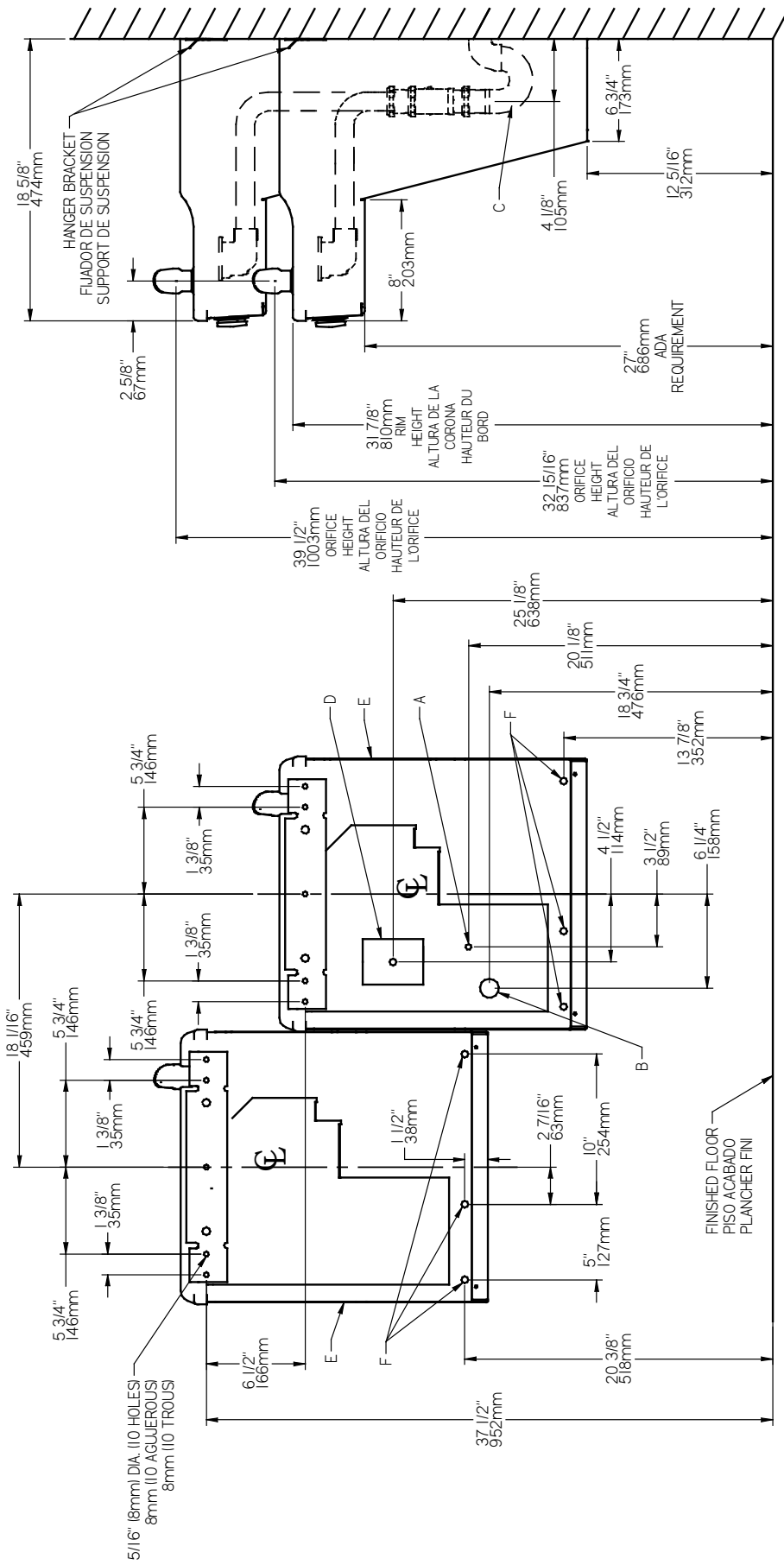


FIG. 2

*REDUCE HEIGHT BY 3" FOR INSTALLATION OF CHILDREN'S ADA COOLER

LEGEND/LEYENDA

- A = RECOMMENDED WATER SUPPLY LOCATION 3/8 O.D. UNPLATED COPPER TUBE CONNECT STUB WITH SHUT OFF (BY OTHERS) 3 IN. (76mm) MAXIMUM OUT FROM WALL
- B = RECOMMENDED LOCATION FOR WASTE OUTLET 1-1/2" O.D. DRAIN STUB 2 IN. OUT FROM WALL
- C = 1-1/2" TRAP NOT FURNISHED
- D = ELECTRICAL SUPPLY (3) WIRE RECESSED BOX
- E = INSURE PROPER VENTILATION BY MAINTAINING 6" (152 mm) (MIN.) CLEARANCE FROM CABINET LOUVERS TO WALL.
- F = 7/16 BOLT HOLES FOR FASTENING UNIT TO WALL

IMPORTANT
ALL SERVICE TO BE PERFORMED BY AN AUTHORIZED SERVICE PERSON

**HANGER BRACKETS & TRAP
 INSTALLATION**

- 1) Remove hanger bracket fastened to back of cooler by removing one (1) screw.
- 2) Mount the hanger bracket and trap as shown in Figure 2.

NOTE: Hanger Bracket **MUST** be supported securely. Add fixture support carrier if wall will not provide adequate support.

IMPORTANT:

- 6 1/4 in. (159mm) dimension from wall to centerline of trap must be maintained for proper fit.
 - Anchor hanger securely to wall using all five (5) 1/4 in. dia. mounting holes.
- 3) Install straight valve for 3/8" O.D. tube.

INSTALLATION OF COOLER

- 4) Hang the cooler on the hanger bracket. Be certain the hanger bracket is engaged properly in the slots on the cooler back as shown in Figure 2.
- 5) Loosen the two (2) screws holding the lower front panel at the bottom of cooler base and two (2) screws at the top (**Use torx bits sold separately**). Remove the front panel and set aside.
- 6) Connect water inlet line--See Note 4 of General Instructions.
- 7) Remove the slip nut and gasket from the trap and install them on the cooler waste line making sure that the end of the waste line fits into the trap. Assemble the slip nut and gasket to the trap and tighten securely. **Also See General Instructions**
- 8) Stream height is factory set at 45-50 PSI. If supply pressure varies greatly from this, adjust screw using the access hole in the pushbutton (insert screwdriver). CW adjustment will raise stream and CCW adjustment will lower stream. For best adjustment, stream should hit basin approximately 6-1/2" (165mm) from bubbler.

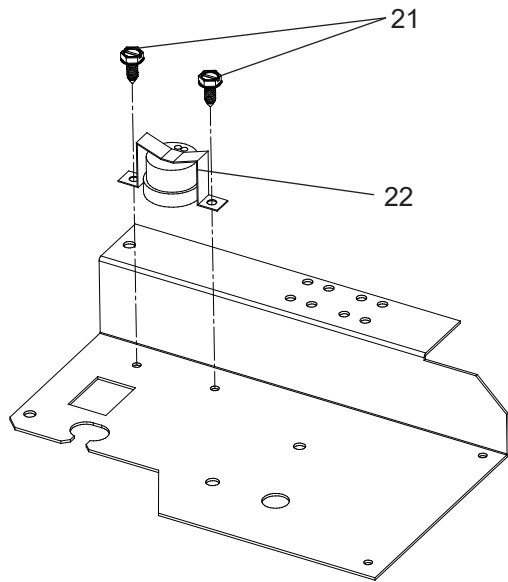


Fig. 3
 Thermostat Installation Detail

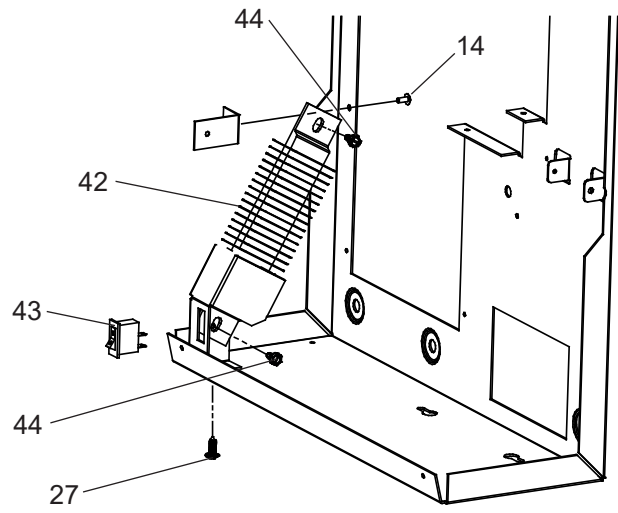


Fig. 4
 Heater Strip Detail

WARNING!

This unit is frost resistant down to 0° F with no wind. Prevailing winds can reduce the ability of the heater element to prevent light freezing. If the ambient air temperature will drop below 0° F, the cooler needs to be drained of all water by blowing out all water lines, evaporator (item 20), and the drain trap. A heater strip is used to heat the unit and will begin to cycle at 40° +/- 5° F. A check at this temperature will ensure the heater is working and the unit is resistant to light freezing.

ALSO, MAKE SURE THERE ARE NO PLASTIC OR FLAMMABLE COMPONENTS DIRECTLY ABOVE THE HEATER STRIP.

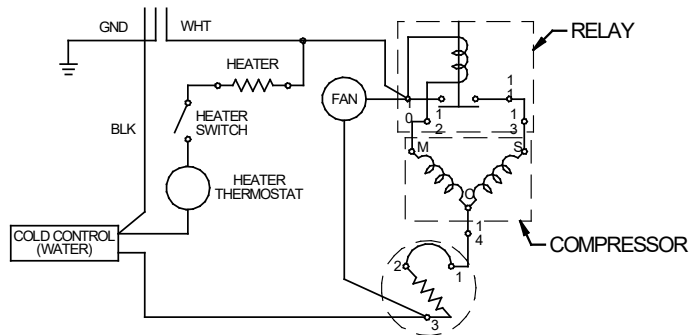


Fig. 5
Wiring Diagram
(Freeze Resistant Model)

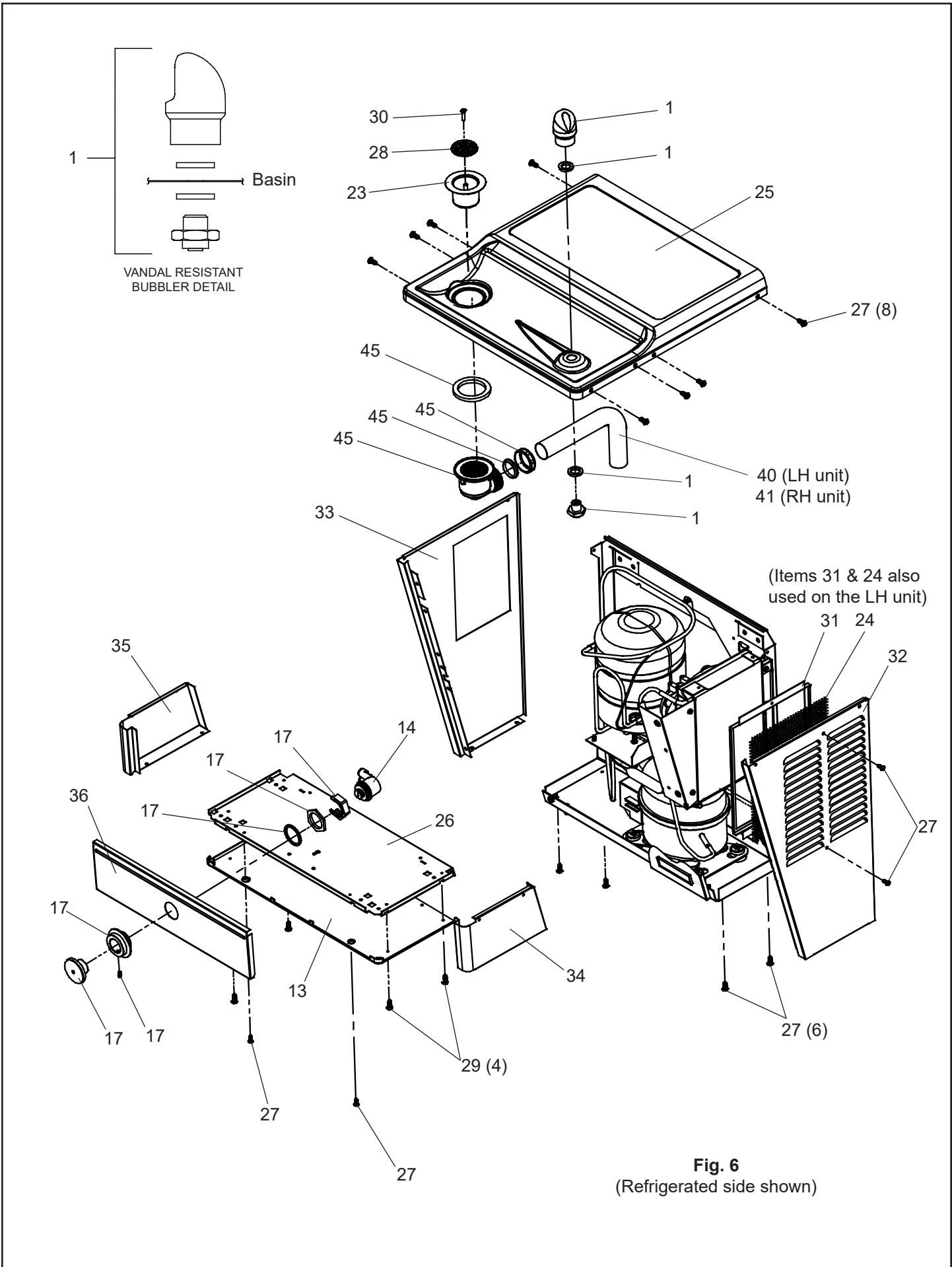


Fig. 6
(Refrigerated side shown)

115V PARTS LIST

ITEM NO.	PART NO.	DESCRIPTION
1	97446C	Bubbler Assy - VR
2	98777C	Kit - Compressor Mtg Hardware
3	98775C	Kit - Fan Motor/Blade/Shroud/Nut/Screws
*4	36322C	Compressor Serv. Pak
5	000000238	Kit - Relay/Overload/Cover
6	75524C	Clip (Front & Rear Panels)
7	98776C	Kit - Condenser/Drier
8	35839C	Kit - Cold Control/Screws
9	98773C	Kit - Heat Exchanger/Drier
10	35900C	Power Cord (RH Unit)
	36012C	Power Cord (LH Unit)
11	55996C	Strainer (See "General Instructions")
12	27124C	Cover - Cold Control
13	55931C	Cover - Dispenser Bottom
14	70432C	Screw - 8-32 x .38 THTC
15	1000004447	Kit - Drain Tube Assy.
16	56092C	Tubing - Poly (Cut To length)
17	1000001906	Kit - Push Button/Sleeve/Spacer/Nuts/Screw
18	98530C	Kit - Regulator/Holder/Nut
19	66703C	Drier
20	98724C	Evaporator Replacement Assembly
21	70002C	Screw - #10 x 1/2" Lg. HHSM
22	35909C	FR Thermostat Assy.
23	600985451640	Plug - Drain 1-1/2CP
24	28617C	Screen - VR
25	28963C	Basin - Stainless Steel
26	22897C	Panel - Bottom Dispenser
27	0000001190	Kit - #10 Pinned Torx Screws/T-25 Bit
28	160270508640	Strainer - Bright
29	70864C	Screw - #8 x .62 Torx/Slot
30	110868642550	Screw - #10 - 24 x .75 Socket Head
31	28596C	Panel - Screen
32	See Color Table	Panel - RH Rear
33	See Color Table	Panel - LH Rear
34	See Color Table	Panel - RH Dispenser Side
35	See Color Table	Panel - LH Dispenser Side
36	See Color Table	Panel - Dispenser Front
37	See Color Table	Panel - Front Lower
38	1000001602	Kit - Elbow 5/16" x 1/4" (3 Pack)
39	1000001994	Kit - Tee 1/4" (3 Pack)
40	45929C	Wasteline (LH unit)
41	45929C	Wasteline (Refrig. Unit)
42	35906C	Heater Strip
43	35907C	Switch - Rocker
44	75506C	Screw - #10 x .75 HHSM
45	98684C	Kit - Drain Elbow/Gasket/Nut/Washer
Sold Separate	75520C	Torx Tool - T25
NS	28551C	Hanger Bracket

NS - NOT SHOWN

***REPLACE WITH SAME COMPRESSOR USED IN ORIGINAL ASSEMBLY.**

NOTE: All correspondence pertaining to any of the above water coolers or orders for repair parts **MUST** include Model No. and Serial No. of cooler, name and part number of replacement part.

Refrig. Unit	COLOR TABLE						
	PANEL COLOR	Item No. 32 Part No.	Item No. 33 Part No.	Item No. 34 Part No.	Item No. 35 Part No.	Item No. 36 Part No.	Item No. 37 Part No.
	Stainless Steel	28525C	28536C	28519C	28522C	28516C	22955C

Left Unit	COLOR TABLE						
	PANEL COLOR	Item No. 32 Part No.	Item No. 33 Part No.	Item No. 34 Part No.	Item No. 35 Part No.	Item No. 36 Part No.	Item No. 37 Part No.
	Stainless Steel	28539C	28528C	28519C	28522C	28516C	22955C

Halsey Taylor®

2222 CAMDEN COURT
OAK BROOK, IL 60523
630.574.3500

FOR PARTS CONTACT YOUR LOCAL DISTRIBUTOR OR VISIT OUR WEBSITE WWW.HALSEYTAYLOR.COM

PRINTED IN U.S.A.