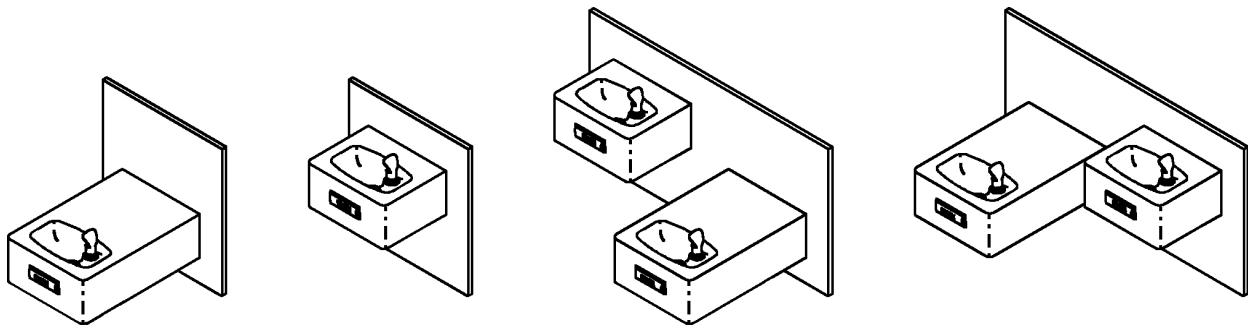


Halsey Taylor Owners Manual

Wall Mount Steel Fountains



HT-EBP

HT-SBP

HT-SEBP

HT-ESBP

INSTALLER

These series fountains are among the easiest to install Fountains on the market today. To assure you install these models easily and correctly, **PLEASE READ THESE SIMPLE INSTRUCTIONS BEFORE STARTING THE INSTALLATION. CHECK YOUR INSTALLATION FOR COMPLIANCE WITH PLUMBING, ELECTRICAL, AND OTHER APPLICABLE CODES.** After installation, leave these instructions with the Fountain for future reference.

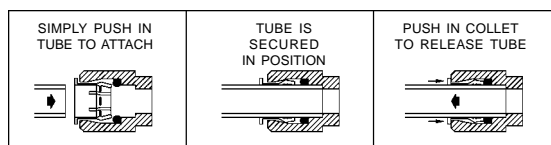
IMPORTANT

ALL SERVICE TO BE PERFORMED BY AN AUTHORIZED SERVICE PERSON

IMPORTANT! INSTALLER PLEASE NOTE.

THE GROUNDING OF ELECTRICAL EQUIPMENT SUCH AS TELEPHONE, COMPUTERS, ETC. TO WATER LINES IS A COMMON PROCEDURE. THIS GROUNDING MAY BE IN THE BUILDING OR MAY OCCUR AWAY FROM THE BUILDING. THIS GROUNDING CAN CAUSE ELECTRICAL FEEDBACK INTO A FOUNTAIN, CREATING AN ELECTROLYSIS WHICH CAUSES A METALLIC TASTE OR AN INCREASE IN THE METAL CONTENT OF THE WATER. THIS CONDITION IS AVOIDABLE BY USING THE PROPER MATERIALS AS INDICATED. ANY DRAIN FITTINGS PROVIDED BY THE INSTALLER SHOULD BE MADE OF PLASTIC TO ELECTRICALLY ISOLATE THE FOUNTAIN FROM THE BUILDING PLUMBING SYSTEM.

OPERATION OF QUICK CONNECT FITTINGS



PUSHING TUBE IN BEFORE PULLING IT OUT HELPS TO RELEASE TUBE

FIG. 1

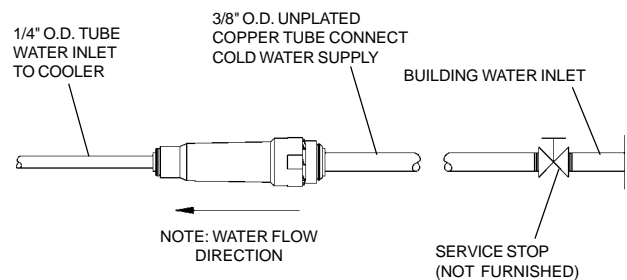


FIG. 2

HT - EBP/SBP/SEBP/ESBP COOLER INSTALLATION

1. **Wall should already be framed for the fountain** using the rough-in dimensions shown in Fig's. 3,4,5, or 6. Shown dimensions pertain to installation location (framing must support up to 150 lbs. weight for single fountain and 300 lbs. for dual fountains). These dimensions are required for compliance with ANSI Standard A117.0.
2. **Attach hanger bracket to wall** as shown in Fig's. 3,4,5, or 6 using 5/16" x 3/4" long bolts and flat washers (not provided). Tighten securely.
3. **Install back panel.** Place the upper edge of the panel above hanger on the wall. Slide the panel down until it engages the hanger. Be sure back panel is firmly engaged before releasing it.
4. **Install rough-in plumbing** as shown in Fig's. 3,4,5, or 6. Waste line should extend a minimum of 2" (51mm) thru the back panel. Run supply water inlet line thru back panel. Install a service stop (not provided). Turn on supply water and flush thoroughly.
5. **Remove bottom access panel** from fountain basin and save the screws. Install the fountain to the back panel and wall using (4) 5/16 " x 2" long lag bolts and washers (not provided) thru holes in back panel. Tighten securely.
6. **Cut waste tube to required length** using plumbing hardware and trap (not provided) as a guide. Install hardware and trap. Tighten securely.
7. **Make water supply connections** from service stop to the fountain strainer. Insert the water inlet line into the inlet side of strainer until it reaches a positive stop - about 3/4" (See Fig. 2). Turn on water supply and check for leaks. Newly installed water supply line should be insulated after leak check is completed. **DO NOT SOLDER TUBES INSERTED INTO THE STRAINER AS DAMAGE TO THE O-RINGS MAY RESULT.**
8. **Check stream height from bubbler.** Stream height is factory set at 45-50 PSI. If supply pressure varies greatly from this, adjust the screw on regulator (item 13, on page 7). Clockwise adjustment will raise stream height and counter-clockwise will lower stream height. For best adjustment stream height should be approximately 1-1/2" (38mm) above the bubbler guard. (See Figure 8)
9. **Water Valve Mechanism - ADJUSTMENT PROCEDURE:**
 - Turn adjustment screw (Item 7, page 7) counter-clockwise until water flow from bubbler starts
 - Turn adjustment screw clockwise until water flow stops, then turn an additional 1/2 turn
10. **Replace bottom access panel** to fountain using the screws provided. Tighten securely.

HT - EBP

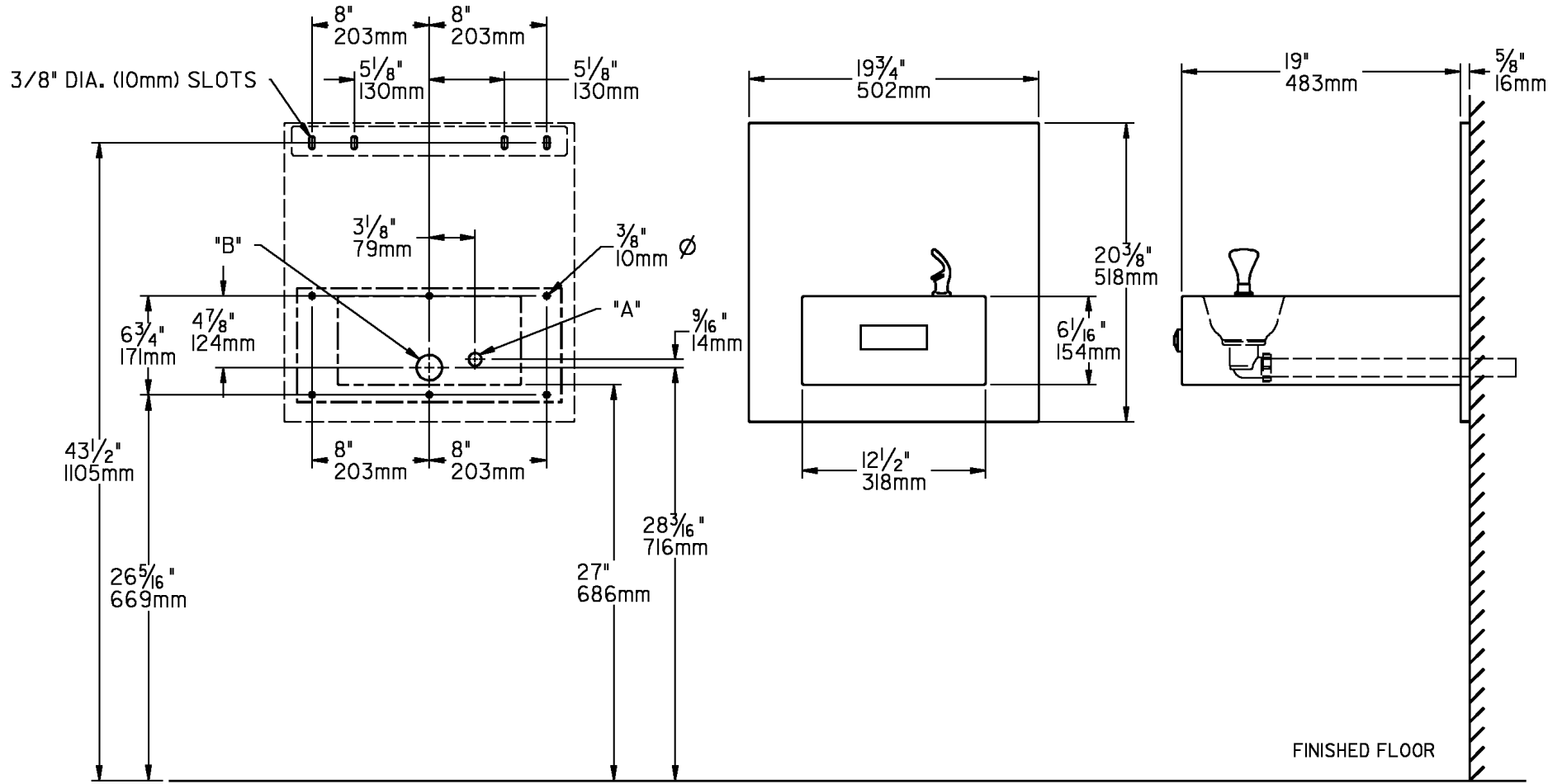


FIG. 3

LEGEND:

- A = 3/8" O.D. UNPLATED COPPER TUBE CONNECT (WATER SUPPLY)
- B = 1-1/4" O.D. WASTE TUBE (ELBOW AND TRAP NOT PROVIDED)

HT - SBP

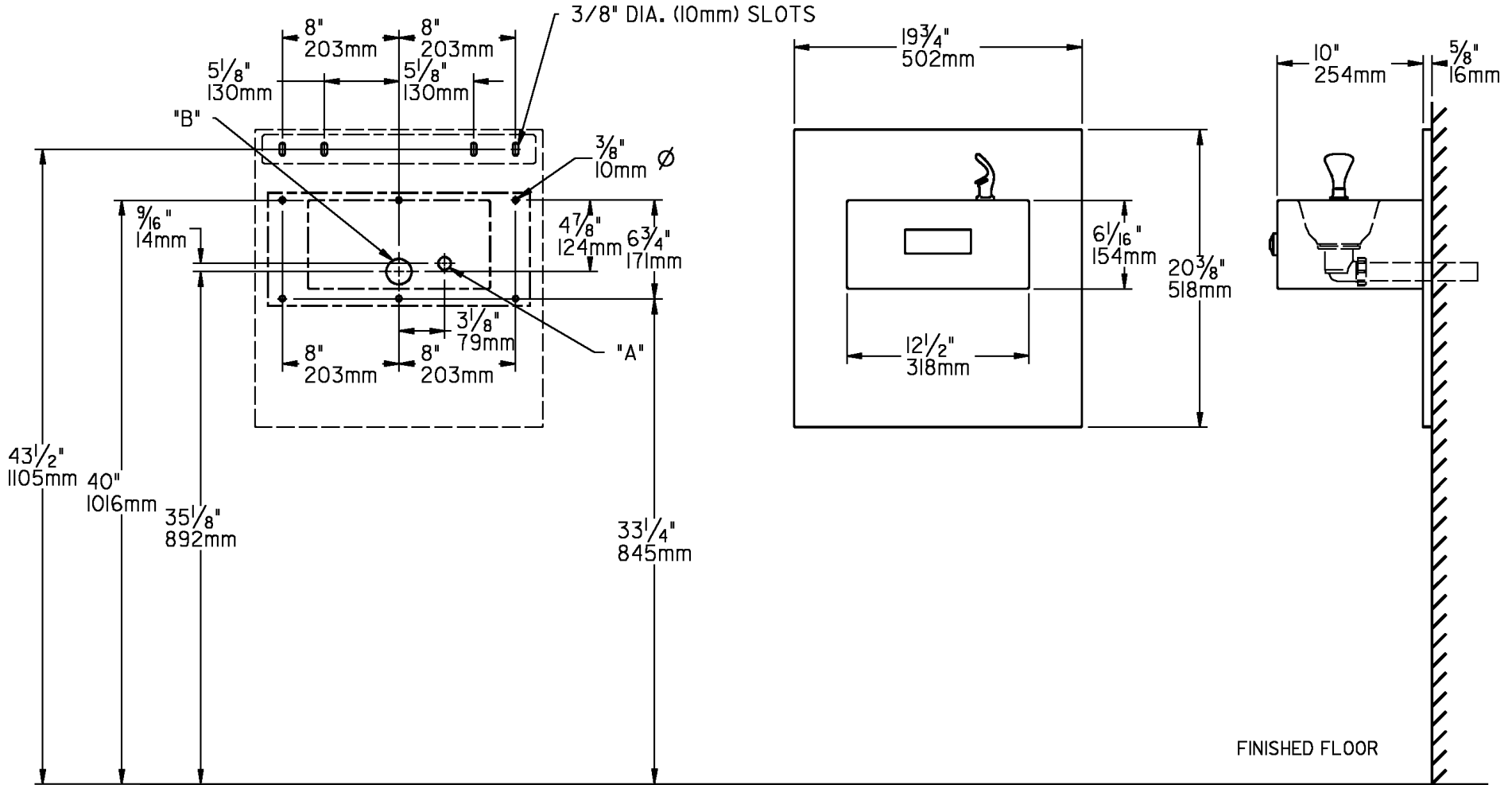


FIG. 4

LEGEND:

A = 3/8" O.D. UNPLATED COPPER TUBE CONNECT (WATER SUPPLY)

B = 1-1/4" O.D. WASTE TUBE (ELBOW AND TRAP NOT PROVIDED)

HT - ESBP

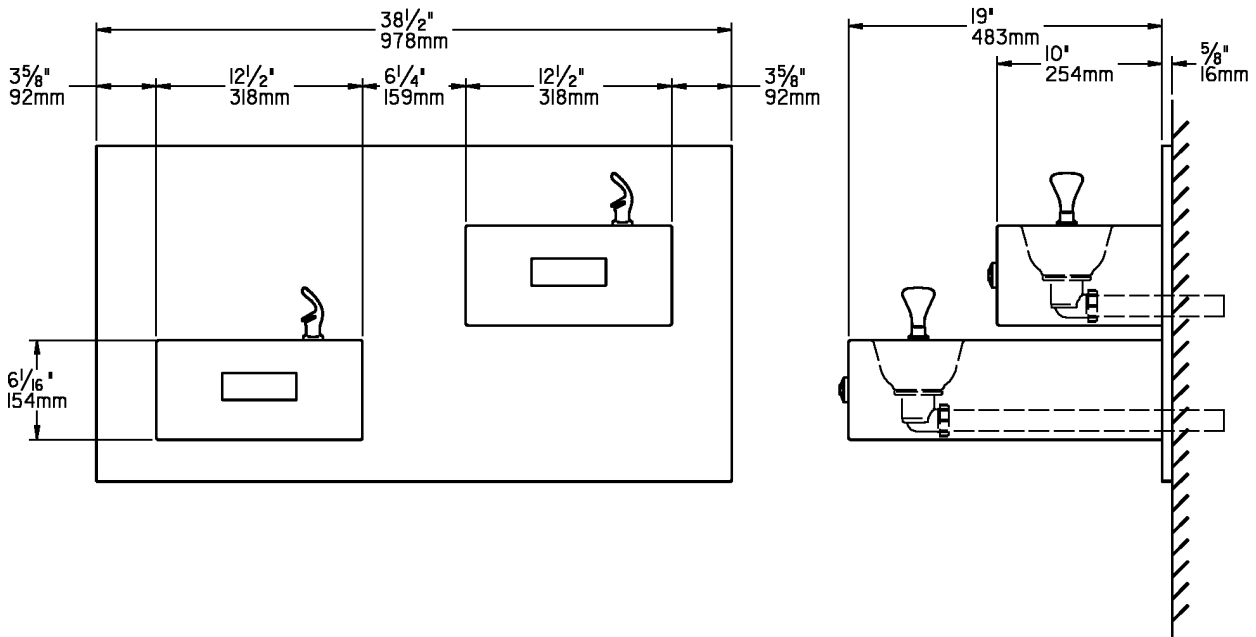
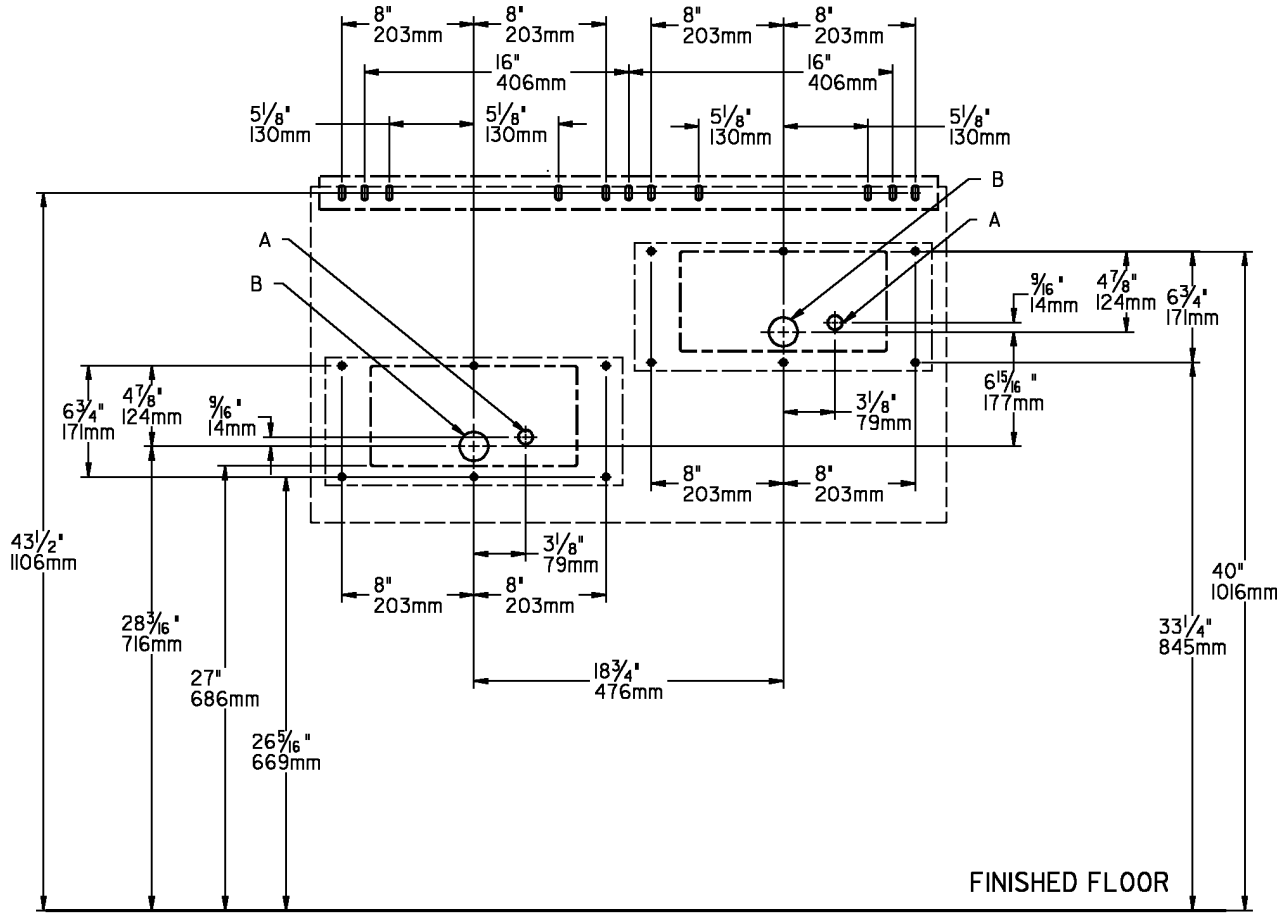


FIG. 6

LEGEND:

- A = 3/8" O.D. UNPLATED COPPER TUBE CONNECT (WATER SUPPLY)
- B = 1-1/4" O.D. WASTE TUBE (ELBOW AND TRAP NOT PROVIDED)

PUSH BAR MECHANISM

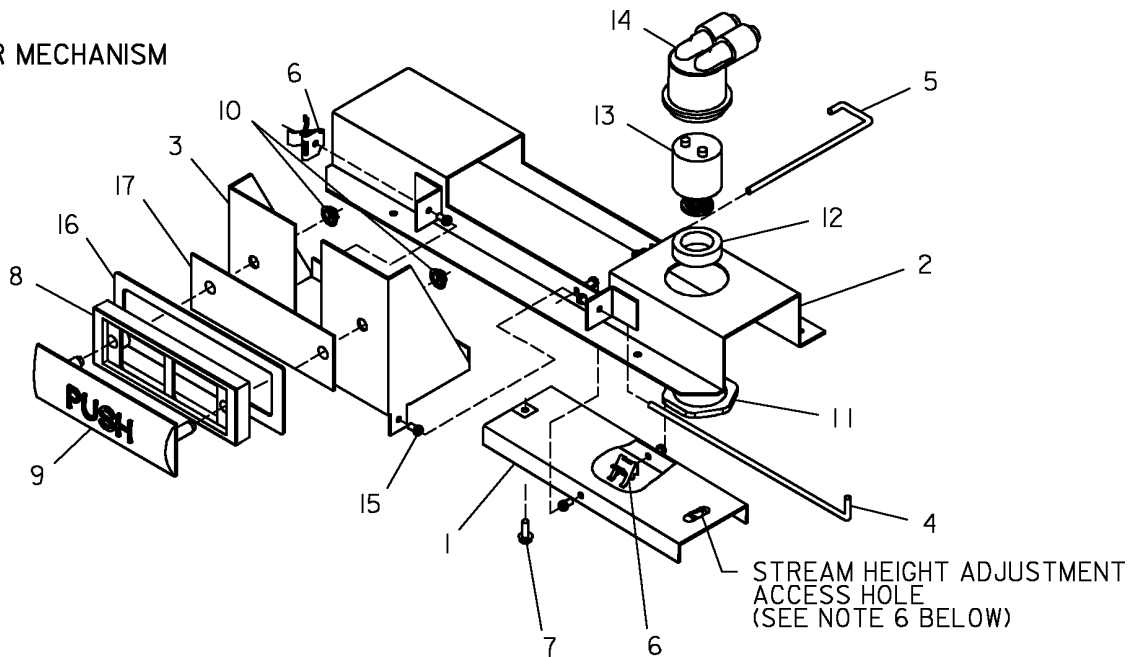


FIG. 7

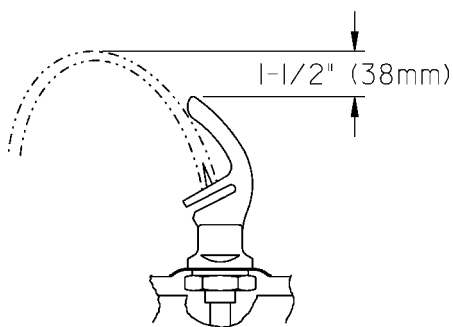


FIG. 8

ITEMIZED PARTS LIST

ITEMNO.	PARTNO.	DESCRIPTION
1	26936C	Push Lever Assy
2	26935C	Mounting Bracket Assy
3	27237C	Bracket - Pushbar
4	75517C	Lever Rod
5	70378C	Pushbar Rod
6	75555C	Spring Clip
7	70856C	Screw - #10-24 x .38 PHMS
8	55859C	Pushbar - Side & Front
9	101514331640	Pushbar Insert
10	111411743620	Nut - 1/4, Self Thread
11	40045C	Regulator Hex Nut
12	15005C	Regulator Retaining Nut
13	61313C	Regulator
14	50986C	Regulator Holder
15	50198C	Snap Bushing
16	55899C	Pad - Window Filler
17	27073C	Backing Plate

ITEMIZED PARTS LIST

ITEM NO.	PART NO.	DESCRIPTION
1	51546C	Bubbler-Satin
	45397C	Bubbler-Golden Bronzestone
2	66318C	Tube Assy-Bubbler
3	10080C	Nipple-Bubbler (Included w/Item No.2)
4	100322740560	Gasket-Bubbler (2-Req'd)
5	160270508640	Strainer Plate
	410270508450	Strainer Plate-Golden Bronzestone
6	161637308640	Drain Plug
	411637308450	Drain Plug-Golden Bronzestone
7	100147140560	Gasket-Drain
8	66346C	Tube-Waste (HT-EBP)
	66343C	Tube-Waste (HT-SBP)
9	26868C	Basin-Stainless Steel (HT-EBP)
	26869C	Basin-Golden Bronzestone (HT-EBP)
	26870C	Basin-Stainless Steel (HT-SBP)
	26871C	Basin-Golden Bronzestone (HT-SBP)
10	23001C	Cover-Bottom (HT-EBP)
	23002C	Cover-Bottom (HT-SBP)
11	23189C	Panel-Stainless Steel (HT-EBP)
	23190C	Panel-Golden Bronzestone (HT-EBP)
	23187C	Panel-Stainless Steel (HT-SBP)
	23188C	Panel-Golden Bronzestone (HT-SBP)
	27043C	Panel-Stainless Steel (HT-SEBP)
	27048C	Panel-Golden Bronzestone (HT-SEBP)
	27261C	Panel-Stainless Steel (HT-ESBP)
	27262C	Panel-Golden Bronzestone (HT-ESBP)
12	55884C	Elbow-Drain
13	55885C	Nut 1-1/4 Slip Joint
NS	70055C	Nut - Speed
NS	55996C	Strainer (See Page 1, Fig. 2)

TROUBLE SHOOTING & MAINTENANCE

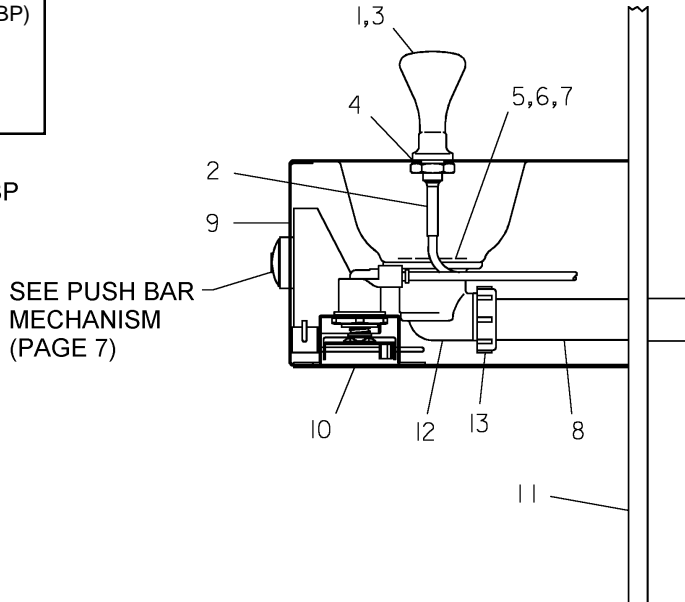
Orifice Assy: Mineral deposits on orifice can cause water flow to spurt or not regulate. Mineral deposits may be removed from the orifice with a small round file not over 1/8" diameter or small diameter wire. **CAUTION: DO NOT** file or cut orifice material.

Stream Regulator: If orifice is clean, regulate flow as in "START UP" instructions on page 2. If replacement is necessary, see parts list for correct regulator part number.

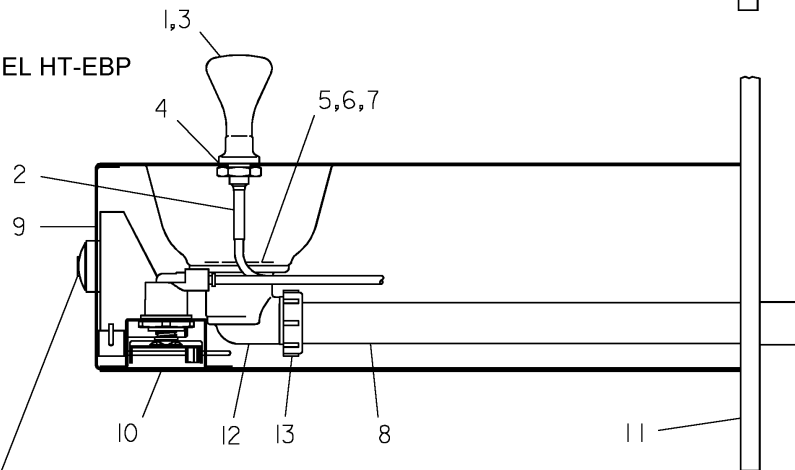
Actuation of Quick Connect Water Fittings: Cooler is provided with lead-free connectors which utilize an o-ring water seal. To remove tubing from the fitting, relieve water pressure, push in on the gray collar while pulling on the tubing.(see Fig.1) To insert tubing, push tube straight into fitting until it reaches a positive stop, approximately 3/4".

CAUTION: Cleaning of Bronzestone Models requires special care. Outer surfaces must be cleaned with mild detergent or mixture of vinegar and water only, rinsed and wiped dry. Abrasive and acidic cleaners may eventually damage the Bronzestone finish.

MODEL HT-SBP



MODEL HT-EBP



Halsey Taylor

2222 CAMDEN COURT
OAK BROOK, IL 60523
630.574.3500

PRINTED IN U.S.A.

FOR PARTS, CONTACT YOUR LOCAL DISTRIBUTOR OR CALL 1.800.323.0620