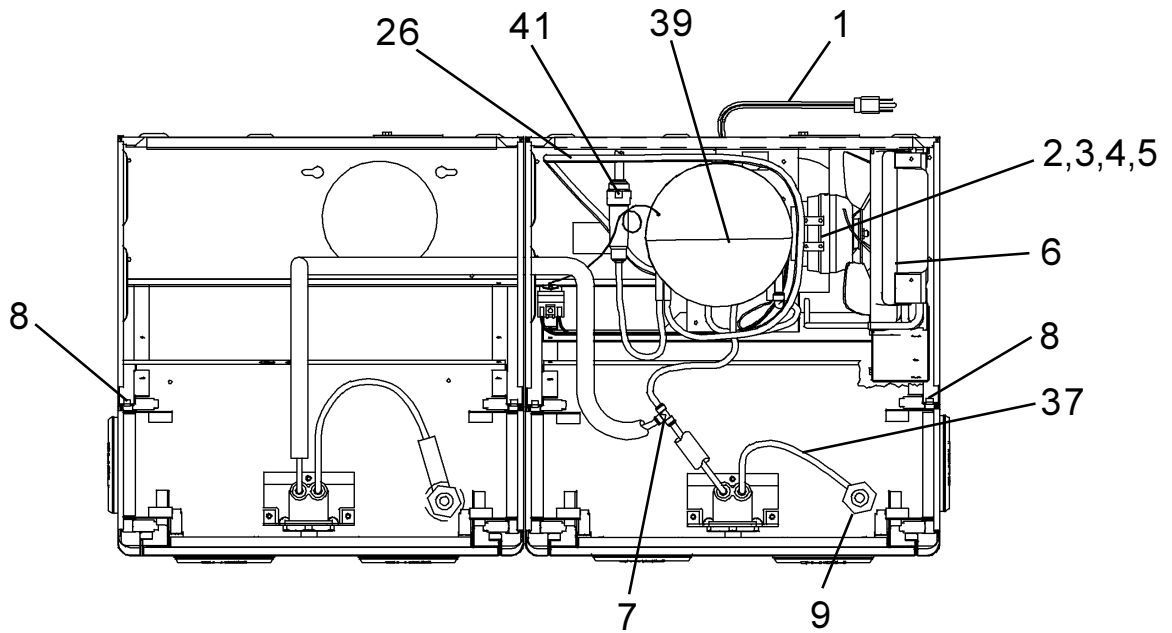
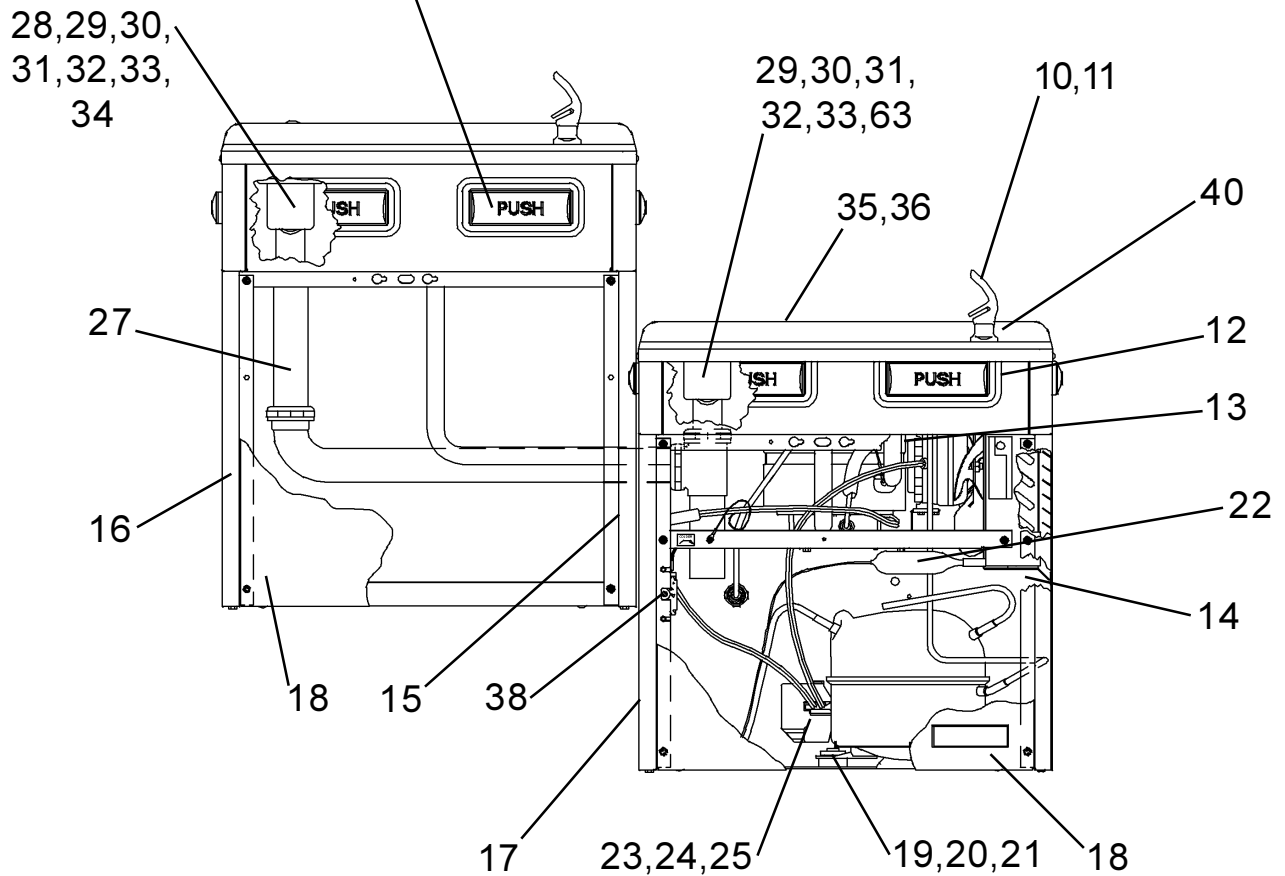


**HALSEY TAYLOR OWNERS MANUAL**  
**FOR JUVENILE INSTALLATIONS ONLY**  
 USES HFC-134A REFRIGERANT



See Fig. 3 (Page 3) For  
 Push Bar Mechanism



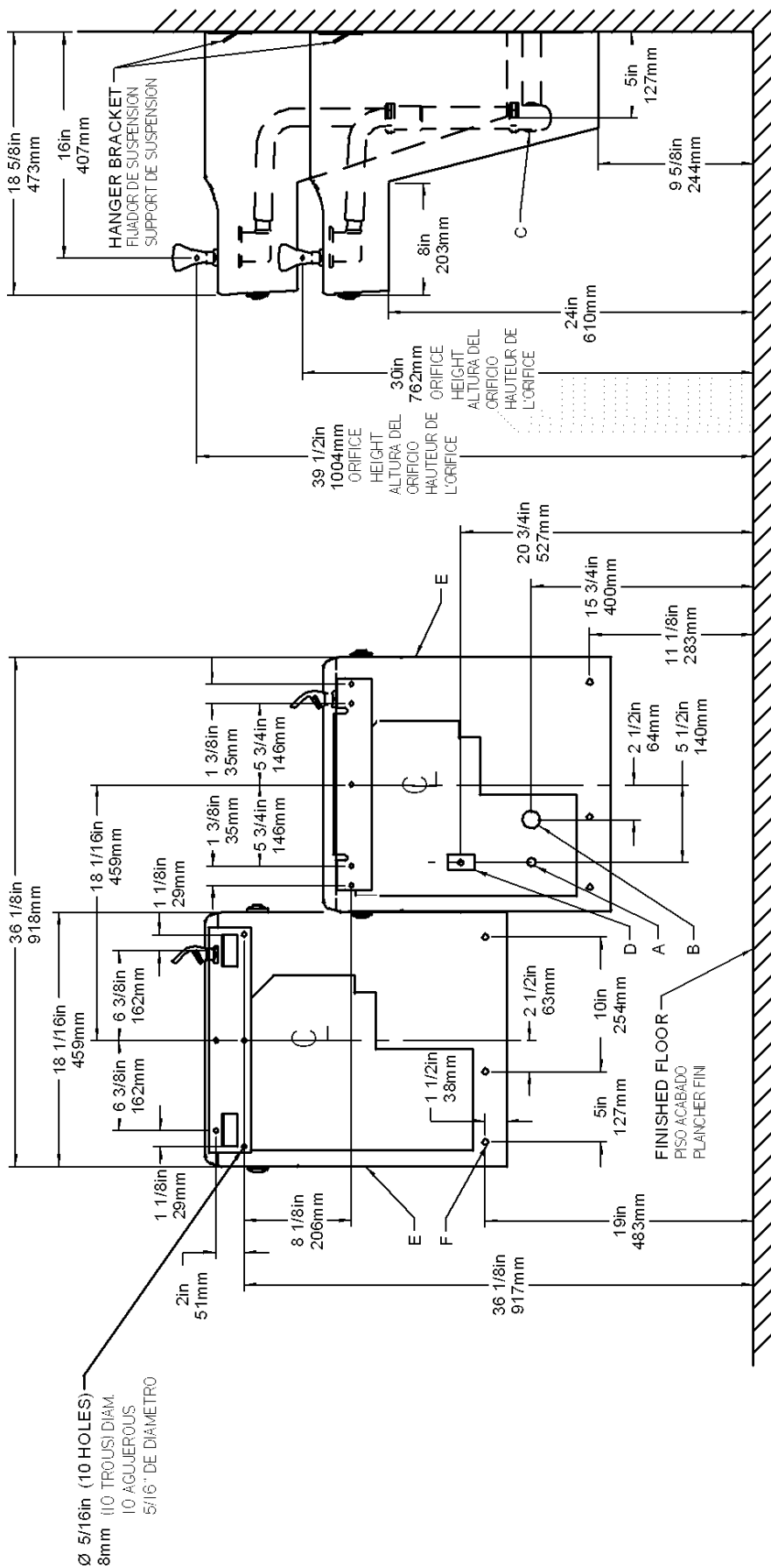


FIG. 2

**LEGEND/LEYENDA/LEGENDE**  
**A = RECOMMENDED WATER SUPPLY LOCATION 3/8 O.D. UNPLATED COPPER TUBE CONNECT STUB 1-1/2 IN. (38 mm) OUT FROM WALL SHUT OFF BY OTHERS**  
 SE RECOMIENDA UBICAR EL TUBO CORTO DE CONEXIÓN AL TUBO DE COBRE SIN CHAPAR DE 3/8" DE DIÁM. EXT. A 1-1/2" (38 mm) FUERA DE LA PARED DE PASO EN LA PARED COLOCADO POR TERCEROS.  
 EMPLACEMENT RECOMMANDÉ D'ALIMENTATION EN EAUX PAR TUBE EN CUIVRE NON PLAQUÉ DE 3/8 PO. (9.5 mm) D.E. CONNECTANT UNE TUYAUTERIE DE 1-1/2 PO. (38 mm) DEPUIS LE ROBINET D'ARRÊT FOURNI PAR D'AUTRES.

**B = RECOMMENDED LOCATION FOR WASTE OUTLET 1-1/2" O.D. DRAIN**  
 UBICACIÓN RECOMENDADA PARA EL DRENAJE DE SALIDA DE AGUA. DE 1-1/2" DE DIÁMETRO.  
 EMPLACEMENT RECOMMANDÉ POUR LE DRAIN DE D.E. 1-1/2" DE SORTIE D'EAU.

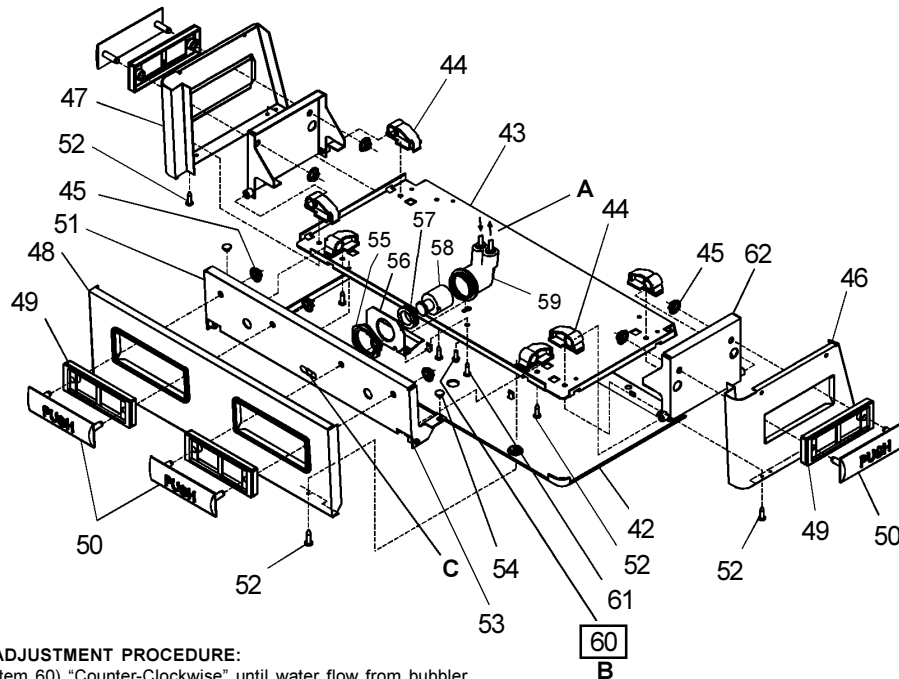
**C = 1-1/2" TRAP NOT FURNISHED\*\***  
 PURGADOR DE 1-1/2 NO PROPORCIONADO\*\*  
 SIPHON 1-1/2 NON FOURNI\*\*

**D = ELECTRICAL SUPPLY (3) WIRE RECESSED BOX**  
 CAJAS RECESIVAS DE ALAMBRES (3) DE SUMINISTRO ELÉCTRICO  
 BOÎTE ENCASTRÉE D'ALIMENTATION ÉLECTRIQUE (3) FILS

**E = INSURE PROPER VENTILATION BY MAINTAINING 6" (152 mm) (MIN.) CLEARANCE FROM CABINET LOUVERS TO WALL.**  
 ASEGURE UNA VENTILACIÓN ADECUADA MANTENIENDO UN ESPACIO E 6" (152 mm) (MIN.) DE HOLGURA ENTRE LA REJILLA DE VENTILACIÓN DEL MUEBLE Y LA PARED  
 ASSUREZ-VOUS UNE BONNE VENTILATION EN GARDANT 6" (152 mm) (MIN.) ENTRE LES ÉVÉNEMENTS DE L'ENCEINTE ET LE MUR.

**F = 7/16 BOLT HOLES FOR FASTENING UNIT TO WALL**  
 AGUEROS DE LAS TUERCAS DE 7/16 PARA SUJETAR LA UNIDAD A LA PARED  
 TROUS D'ECROUS 7/16 POUR FIXER L'APPAREIL AU MUR

**PUSH BAR MECHANISM**



**FIG. 3**

**Water Valve Mechanism - ADJUSTMENT PROCEDURE:**

- Turn adjustment screw (Item 60) "Counter-Clockwise" until water flow from bubbler starts.
- Turn adjustment screw "Clockwise" until water flow stops, THEN turn an additional 1/2 turn.

**NOTE:** Adjustments stated above are viewed from underneath unit (bottom side of dispenser panel Item 43)

**NOTE:** If continuous flow occurs at the end of the compressor cycle, turn cold control (Item 38) counterclockwise 1/4 turn.

**LEGEND**

- A) Note: Water flow direction
- B) Adjust this screw to eliminate mechanism "Free Play" or continuous flow from bubbler conditions. (See ADJUSTMENT PROCEDURE)
- C) Stream height adjustment (see note #8)

**IMPORTANT**  
ALL SERVICE TO BE PERFORMED BY AN  
AUTHORIZED SERVICE PERSON

**HANGER BRACKETS & TRAP  
INSTALLATION**

- 1) Remove hanger brackets fastened to back of cooler by removing one (1) screw.
- 2) Mount the hanger brackets and trap as shown in Figure 2.

**NOTE:** Hanger Brackets MUST be supported securely. Add fixture support carrier if wall will not provide adequate support.

**IMPORTANT:**

- Anchor hangers securely to wall using all mounting holes.
- 3) Install straight valve for 3/8" O.D. tube.

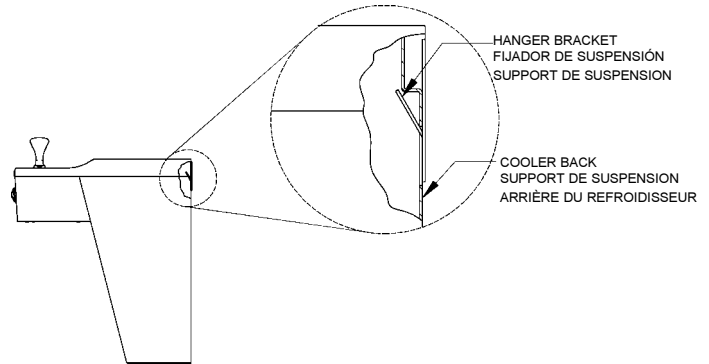
**INSTALLATION OF COOLER**

- 4) Hang the cooler on the hanger bracket. Be certain the hanger bracket is engaged properly in the slots on the cooler back as shown in Fig. 4.
- 5) Loosen the two (2) screws holding the lower front panel at the bottom of cooler base and two (2) screws at the top. Remove the front panel and set aside.
- 6) Connect water inlet line--See Note 4 of General Instructions.
- 7) Remove the slip nut and gasket from the trap and install them on the cooler waste line making sure that the end of the waste line fits into the trap. Assemble the slip nut and gasket to the trap and tighten securely.

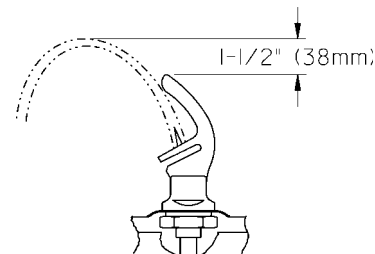
**START UP**

**Also See General Instructions**

- 8) Stream height is factory set at 45-50 PSI. If supply pressure varies greatly from this, readjust stream height to approximately 1-1/2" (38mm) above the bubbler guard by turning adjustment screw, accessible by removing front push panel on the upper unit or through the small hole in the front push panel on the lower unit. Item No. 48 (see Fig.3 & 5).
- 9) Replace the front panel and secure by retightening four (4) screws.
- 10) If a taste, odor or sediment problem is prevalent, try installing our water filter module, part no 73-15242-51-550



**FIG. 4**



**CORRECT STREAM HEIGHT**

**FIG. 5**

ITEMIZED PARTS LIST

ITEM NO	PART NO	DESCRIPTION
1	36208C	Power Cord
2	30664C	Fan Blade
3	70018C	Hex Nut - Fan Blade
4	31490C	Fan Motor
5	70009C	Screw - (Fan Motor)
6	56237C	Shroud - Fan
7	70682C	Fitting - Tee 1/4"
8	70241C	Clip (Front and Rear Panels)
9	56159C	Nipple - Bubbler
10	51544C	Bubbler - Chrome
11	100322740560	Gasket - Bubbler (upper and lower)
12	66743C	Condenser
13	66703C	Drier
14	See Color Table	Panel - Right Rear (Refrig. Unit)
15	See Color Table	Panel - Right Rear (Left Unit)
16	See Color Table	Panel - Left Rear (Left Unit)
17	See Color Table	Panel - Left Rear (Refrig. Unit)
18	See Color Table	Panel - Front Lower
19	101516143550	Stud - Compressor Mtg.
20	100806740570	Grommet - Compressor Mtg.
21	19037000	Clip - Compressor Mtg.
22*	36094C	Compressor Serv. Pak EMI 70 HNR
23	35959C	Relay
24	35768C	Cover - Relay
25	36158C	Overload
26	66576C	Heat Exchanger
27	40022C	Waste Line Assembly
28	45712C	Waste Line Assembly
29	75589C	Gasket
30	56121C	Fitting - Elbow 1-1/4
31	75588C	Nut - Slip Joint 1-1/4
32	100147140560	Gasket - Drain
33	102639931640	Drain Plug - Chrome
34	160270508640	Strainer Plate - Chrome
35	28152C	Basin - Stainless Steel
36	75634C	Screw - Basin Mtg.
37	56092C	Tubing - Poly (Cut To Length)
38	31513C	Cold Control
39	66534C	Evaporator Assembly
40	70002C	Screw - #10 x 1/2" Lg. HHSM
41	55996C	Strainer
42	55931C	Cover - Dispenser Bottom
43	22897C	Panel - Bottom Dispenser
44	51531C	Block - Pivot
45	111411743620	Nut - 1/4, Self-Threading
46	See Color Table	Panel - Right Side
47	See Color Table	Panel - Left Side
48	See Color Table	Panel - Front Push
49	55859C	Pushbar - Side & Front
50	55947C	Insert - Push Bar, Gray
51	22900C	Bracket - Front Push
52	70864C	Screw - #8 x 5/8" Lg. Torx/Slot
53	50212C	Rivet - Drive Type
54	51667C	Bumper - Press Bar
55	40045C	Hex Nut
56	23003C	Bracket - Regulator Mounting
57	15005C	Retaining Nut
58	61314C	Regulator
59	50986C	Holder - Regulator
60	70935C	Screw - Shoulder x 1/2" Lg.
61	112627543890	Screw - Regulator Brkt. Mtg.
62	22901C	Bracket - Side Push
63	45484C	Waste Line Assembly
NS	400660943730	Hanger Bracket (Upper Unit)
NS	28116C	Hanger Bracket (Lower Unit)

COLOR TABLE					
PANEL COLOR	Item No. 14 Part No.	Item No. 15 Part No.	Item No. 16 Part No.	Item No. 17 Part No.	Item No. 18 Part No.
Platinum Vinyl	28144C	28139C	22852C	28161C	22844C
Stainless Steel	28145C	28140C	22854C	28162C	22955C

COLOR TABLE - PUSH BAR MECHANISM						
PANEL COLOR	Item No. 46 Part No. Upper unit	Item No. 46 Part No. Lower unit	Item No. 47 Part No. Upper unit	Item No. 47 Part No. Lower unit	Item No. 48 Part No. Upper unit	Item No. 48 Part No. Lower unit
Platinum Vinyl	22836C	28123C	22828C	28127C	22804C	28131C
Stainless Steel	22838C	28124C	22830C	28128C	22806C	28132C

**\*REPLACE WITH SAME COMPRESSOR USED IN ORIGINAL ASSEMBLY.**

**NOTE:** All correspondence pertaining to any of the above water coolers or orders for repair parts **MUST** include Model No. and Serial No. of cooler, name and part number of replacement part.



2222 CAMDEN COURT  
OAK BROOK, IL 60523  
630.574.3500

PRINTED IN U.S.A.

FOR PARTS CONTACT YOUR LOCAL DISTRIBUTOR OR VISIT OUR WEBSITE - WWW.HALSEYTAYLOR.COM