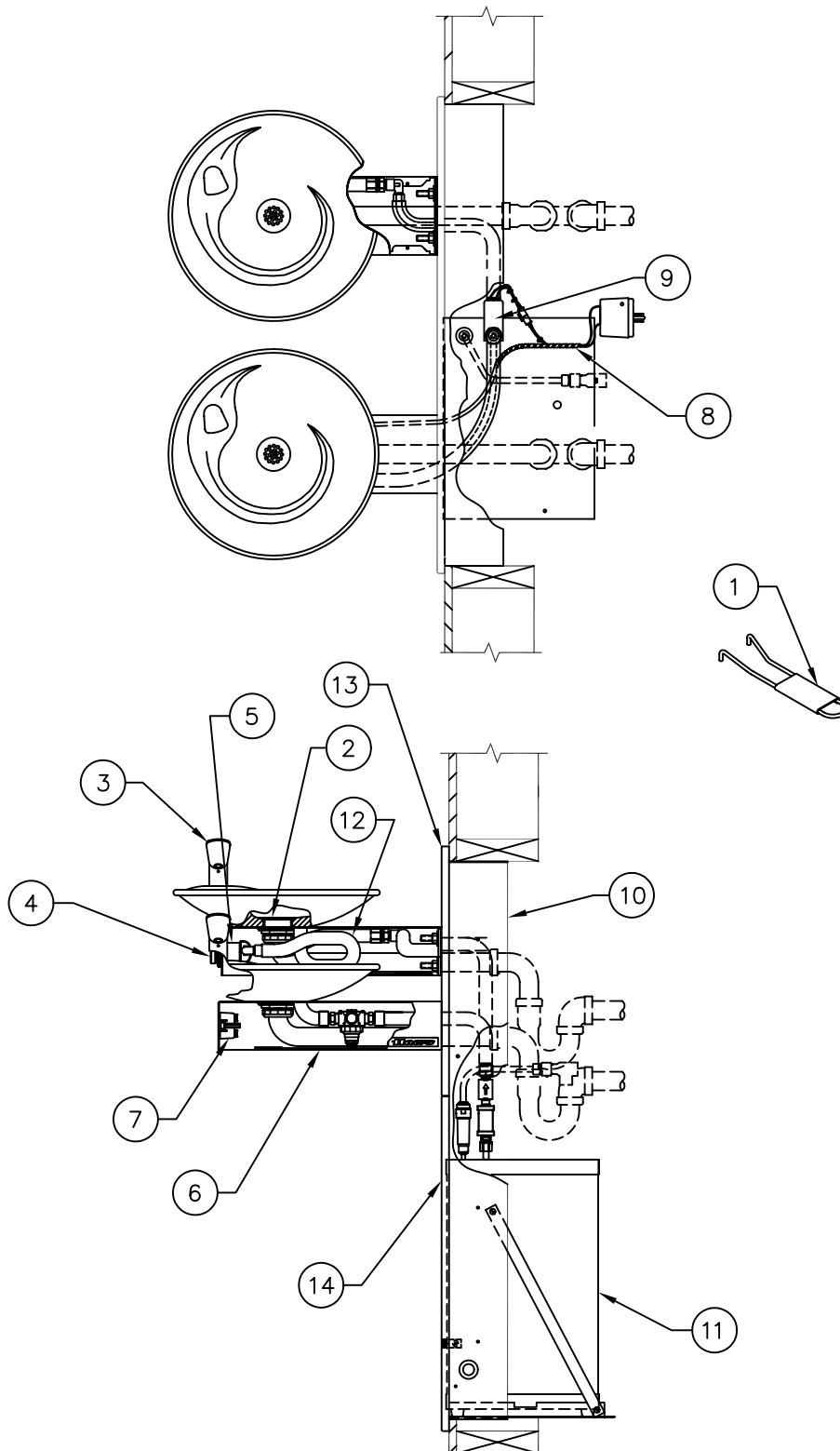


# PARTS BREAKDOWN



ITEM	DESCRIPTION
1	SPANNER WRENCH P/N 0006983506
2	STRAINER ASSY 6463
3	BUBBLER HEAD W/INSERT 5705
4	PUSH BUTTON ASSY PBA6
5	VALVE, 5874
6	ACCESS PLATE PBM1000
7	SENSOR VRKH01
8	WIRING HARNESS VRKH02
9	SOLENOID VRKH03
10	MOUNTING FRAME MTGFR.LG
11	CHILLER HCR8
12	PRESSURE REGULATOR 5867
13	BACK PANEL 0004012000
14	GRILLE 0002626651

REV	DESCRIPTION	ECN	DATE	BY/APVD
15	UPDATED PER ECN	4309	09/14/09	HM

**WHEN ORDERING  
PARTS PLEASE  
SPECIFY YOUR  
MODEL NUMBER**



1455 KLEPPE LANE  
SPARKS, NEVADA 89431  
(775) 359-4712 FAX (775) 359-7424  
E-MAIL: HAWS@HAWS.CO.COM  
WEBSITE: WWW.HAWS.CO.COM

DRAWN BY: RTM	DATE: 10/21/98	CHECK BY:	APPVD BY:	SCALE: 1/6
TITLE: H1011.8HO			PART NUMBER: 0002080250	
DRAWING TYPE: PARTS BREAKDOWN			DRAWING NUMBER: 13369C00	REV. 15