

**No Lead Two-Level SwirlFlo®
Drinking Fountain, Wall Mount, Barrier-Free
Access with Surface Mounting Plate
Model EDFPB117C**



SPECIFICATIONS

GENERAL

Fully exposed two-level fountain basins are #18 gauge, type 304 stainless steel polished to a lustrous satin finish with high shine outer edge. #16 gauge, type 304 tubular stainless steel support arms incorporate unique recess to be integrated with basin. One fountain positioned lower on the right for wheelchair use. The other positioned on the left at standing height.

Fountains have contoured basin that minimizes splashing. Flexi-Guard® safety bubblers are keyed in location to prevent rotation. Fully functional, vandal-resistant front push button. Patented* valve and in-line flow regulator provides constant stream from 20 to 105 psi. The letter M in the model number includes surface mounting plate (e.g. EDFPB117C). To have surface mounting plate shipped ahead of fountain, order MP20 surface mounting plate separately and fountain without the M in the model number (e.g. EDFPB117C). See ALSO AVAILABLE and ACCESSORIES sections for details.

THIS DRINKING FOUNTAIN COMPLIES WITH THE REQUIREMENTS OF A.D.A. (AMERICANS WITH DISABILITIES ACT) PROVIDING THE UNIT IS INSTALLED IN AN ALCOVE OR WITH LEFT WING WALL.

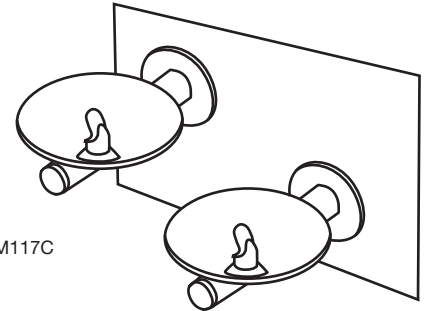
NO LEAD DESIGN

THIS DRINKING FOUNTAIN COMPLIES WITH THE LEAD-FREE DEFINITION IN THE SAFE DRINKING WATER ACT OF 1986 AND LEAD CONTAMINATION CONTROL ACT OF 1988.

Elkay Drinking Fountains are manufactured with a waterway system utilizing copper components and completely lead-free material. These waterways have no lead because all leaded materials, such as leaded brass, have been removed.



This drinking fountain is classified by Underwriters Laboratories Inc. in accordance with **ANSI/NSF61, Section 9-1997b.**



Model EDFPB117C

CONSTRUCTION

EDFPB117C two-level fountain furnished complete with Flexi-Guard® fully assembled with front push button, patented* valve and in-line flow regulator (120 to 105 p.s.i.), stainless steel back panel and surface mounting plate. No traps are furnished.

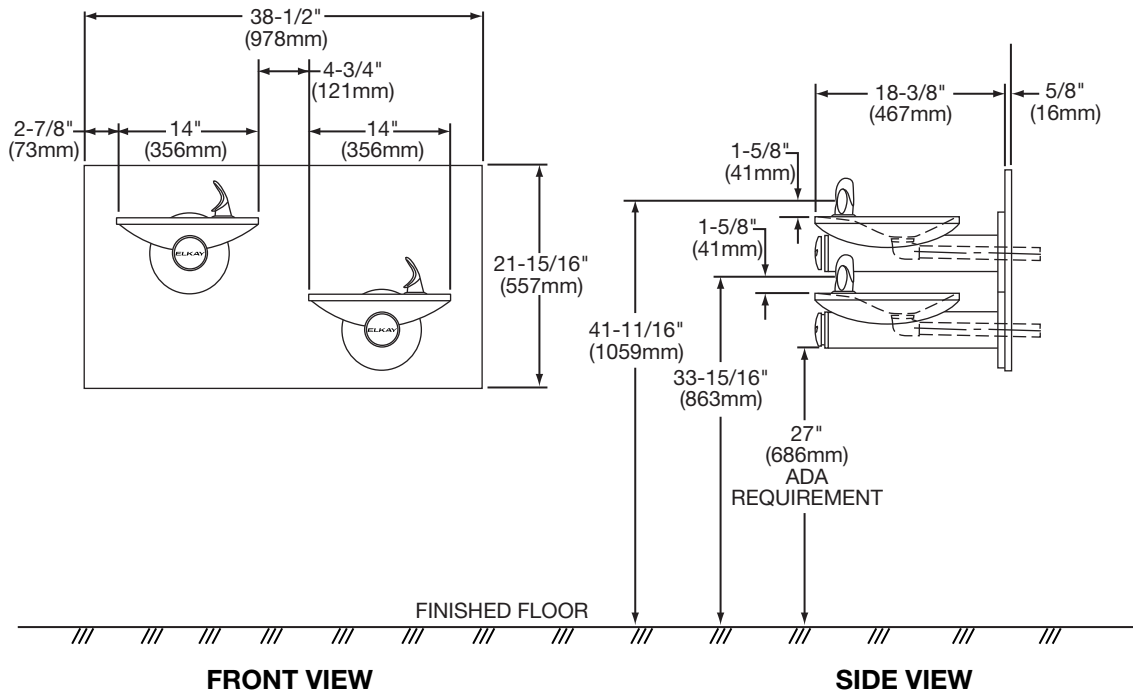
ALSO AVAILABLE

Model EDFPB117C: Same as model above without surface mounting plate.

Model EDFPB117C: Includes vandal-resistant bubblers. Heavy duty, one-piece construction, chrome plated brass.

ACCESSORIES

MP20: Surface Mounting Plate. Needed when ordering a **EDFPB117C** or **EDFPBV117C** without surface mounting plate. See separate specification sheet for details on MP20.



* Patent #4,481,971

In keeping with our policy of continuing product improvement, Elkay reserves the right to change product specifications without notice.

This specification describes an Elkay product with design, quality and functional benefits to the user. When making a comparison of other producers' offerings, be certain these features are not overlooked.

**No Lead Two-Level SwirlFlo®
Drinking Fountain, Wall Mount, Barrier-Free
Access with Surface Mounting Plate
Model EDPBM117C**

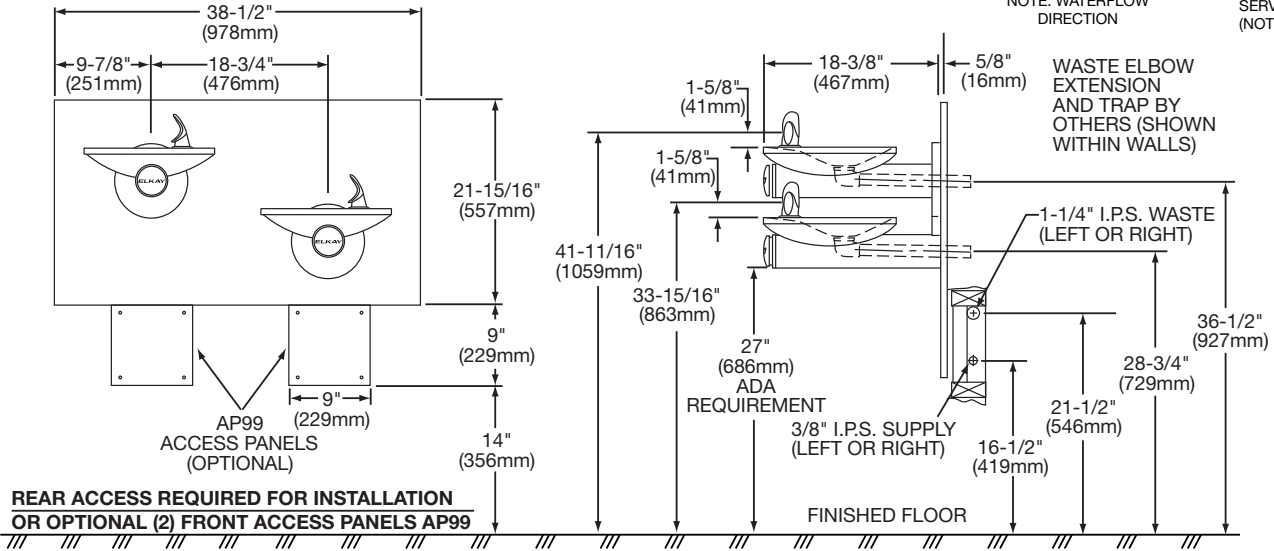
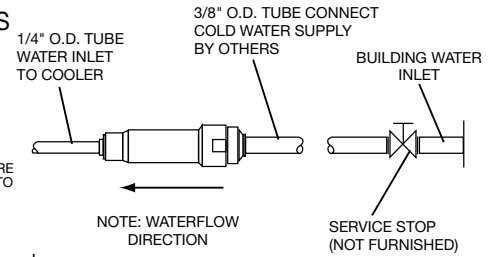
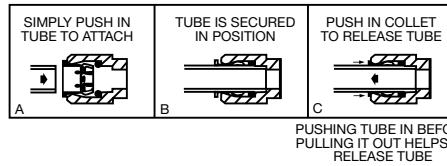
ELKAY®

ROUGH-IN DIMENSIONS

INSTALLER NOTE

THIS DRINKING FOUNTAIN IS FURNISHED WITH A BUBBLER AND VALVE INCLUDING ALL CONNECTING FITTINGS WHICH ARE MANUFACTURED OF COMPLETELY LEAD FREE MATERIAL. IT IS RECOMMENDED THAT SHUT OFF VALVE AND SUPPLY TUBING SUPPLIED BY OTHERS BE NON-METALLIC.

OPERATION OF QUICK CONNECT FITTINGS



SURFACE MOUNTING PLATE INSTRUCTIONS
(SEE MP20 SPEC SHEET FOR DETAILS)

NOTE: Reinforce the wall in the shaded areas to support up to 300 lbs. static load.

