

# ELKAY® SPECIFICATIONS

## No Lead Drinking Fountain Soft Sides® Wall Mount – Fully Exposed Models EDFP210RC (White Granite) and EDFP214RC (White Granite)

### GENERAL

**EDFP210RC** With a contemporary look and smooth, rounded lines, these wall mounted drinking fountains are constructed of a premium composite, solid surface material. White Granite finish.

Contoured basin minimizes splashing and has exclusive Flexi-Guard® safety bubbler to help prevent accidental mouth injuries. Easy to operate, fully functional chrome plated push-button is vandal-resistant. Bottom cover plate included. Patented\* valve and in-line flow regulator provides stream from 20 to 105 psi max. water supply.

**EDFP214RC** Same as EDFP210RC except this drinking fountain complies with the requirements of A.D.A. (Americans with Disabilities Act) when properly installed.

### NO LEAD DESIGN

**THIS DRINKING FOUNTAIN COMPLIES WITH THE LEAD-FREE DEFINITION IN THE SAFE DRINKING WATER ACT OF 1986 AND LEAD CONTAMINATION CONTROL ACT OF 1988.**

Elkay Drinking Fountains are manufactured with a waterway system utilizing copper components and completely lead-free material. These waterways have no lead because all leaded materials, such as leaded brass, have been removed.

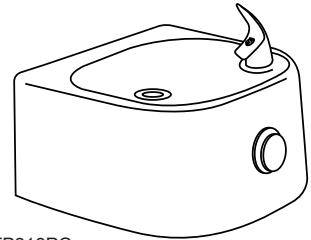
These drinking fountains are classified to **ANSI/NSF61**.

### CONSTRUCTION

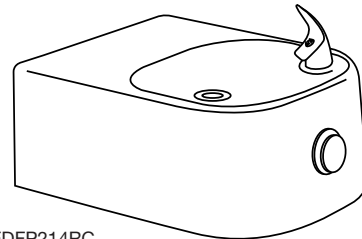
**EDFP210RC** and **EDFP214RC** furnished complete with Flexi-Guard®, fully assembled front push-button, patented\* valve and in-line flow regulator (20 to 105 psi max.), and LK464 drain and trap assembly. Bottom cover plate included.

### ACCESSORIES

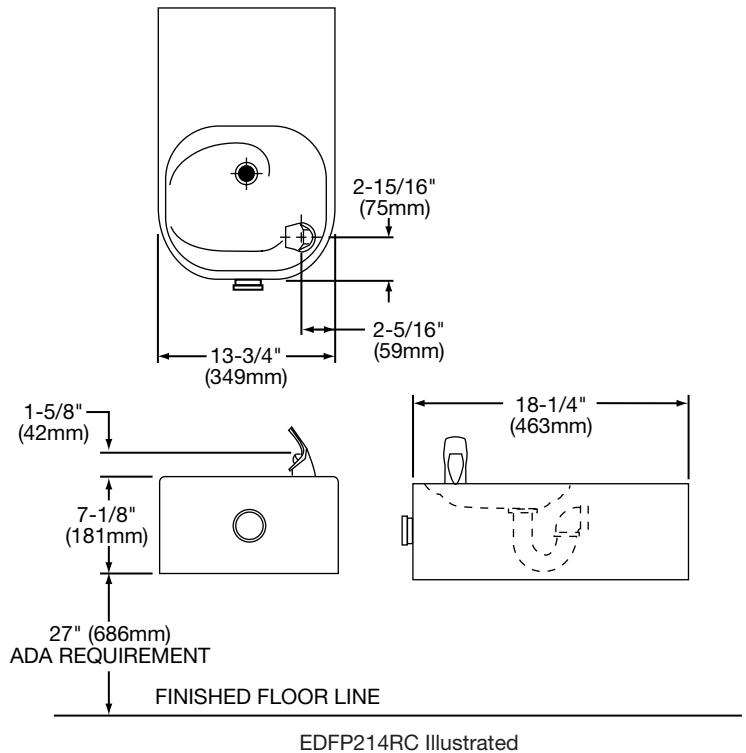
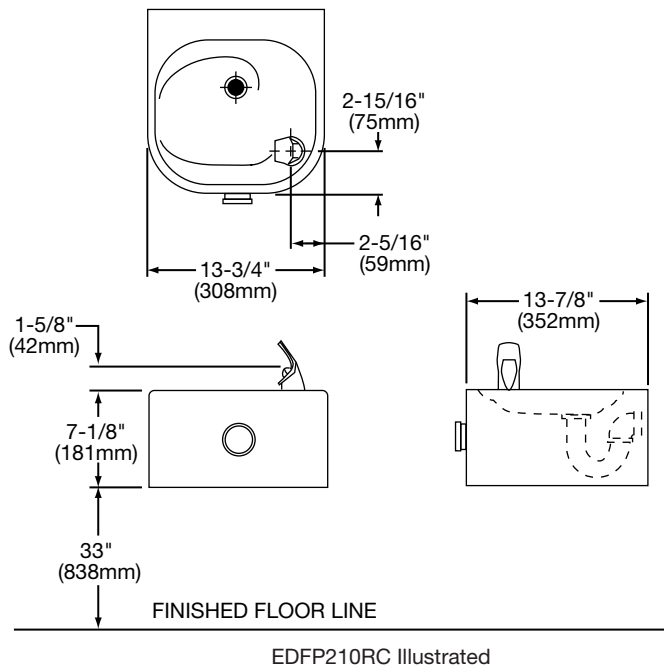
**MP86** Mounting plate is available as an optional accessory.



Model EDFP210RC



Model EDFP214RC



\* Patent #4,481,971

In keeping with our policy of continuing product improvement, Elkay reserves the right to change product specifications without notice.

This specification describes an Elkay product with design, quality and functional benefits to the user. When making a comparison of other producers' offerings, be certain these features are not overlooked.

**No Lead Drinking Fountain Soft Sides®  
Wall Mount – Fully Exposed  
Models EDFP210RC (White Granite)  
and EDFP214RC (White Granite)**

**ELKAY®  
ROUGH-IN DIMENSIONS**

**INSTALLER NOTE**

THIS DRINKING FOUNTAIN IS FURNISHED WITH A BUBBLER AND VALVE INCLUDING ALL CONNECTING FITTINGS WHICH ARE MANUFACTURED OF COMPLETELY LEAD FREE MATERIAL. IT IS RECOMMENDED THAT SHUT OFF VALVE AND SUPPLY TUBING SUPPLIED BY OTHERS BE NON-METALLIC.

**Care and Maintenance of Elkay Composite Fountains**

The premium composite fountain provides an extremely durable, non-porous surface which resists staining. Care is very simple. Routine cleaning with a soft sponge or cloth, or with water or non-abrasive aerosol foam cleaner, is all that is normally needed to give many years of trouble free service. Cleaners left standing on the fountain surface can dull the surface finish. Be certain to rinse all cleaning agents completely and polish with a soft cloth.

Harsh abrasive cleaners are not required and should not be used.

Mild abrasives such as liquid automotive cleaning compound or baking soda paste will remove simple scratches and stains. Cigarette burns can normally be removed without noticeable effect. Deeper scratches or gouges can be corrected with fine grit sandpaper (240 grit then 400 grit) or a green scotchbrite™ pad.

To maintain or regain luster and make cleaning easier, periodic applications of automobile wax or like products will keep the finish looking like new.

**OPERATION OF QUICK CONNECT FITTINGS**

