

**No Lead Drinking Fountain Soft Sides®
Wall Mount – Fully Exposed
Model EDF214WC (Shadow White)**



SPECIFICATIONS

GENERAL


Wall mounted drinking fountain constructed of durable, non-porous composite gel coated material. Available in Shadow White color.

Contoured basin minimizes splashing and has LK142 push-button bubbler. Bottom cover plate included. Patented* valve and in-line flow regulator provides stream from 20 p.s.i. min. to 105 p.s.i. max. water supply.

NO LEAD DESIGN

THIS DRINKING FOUNTAIN COMPLIES WITH THE LEAD-FREE DEFINITION IN THE SAFE DRINKING WATER ACT OF 1986 AND LEAD CONTAMINATION CONTROL ACT OF 1988.

Elkay Drinking Fountains are manufactured with a waterway system utilizing copper components and completely lead-free material. These waterways have no lead because all leaded materials, such as leaded brass, have been removed.

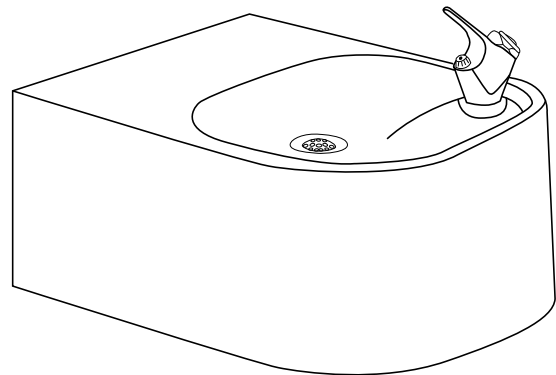
 This drinking fountain is classified by Underwriters Laboratories Inc. in accordance with **ANSI/NSF61, Section 9-1997b.**

CONSTRUCTION

EDF214WC furnished complete LK142 pushbutton bubbler, patented* valve and in-line flow regulator (20 p.s.i. min. to 105 p.s.i. max.), and LK464 drain and trap assembly. Bottom cover plate included.

ACCESSORIES

MP86 mounting plate is available as an optional accessory.



Model EDF214WC

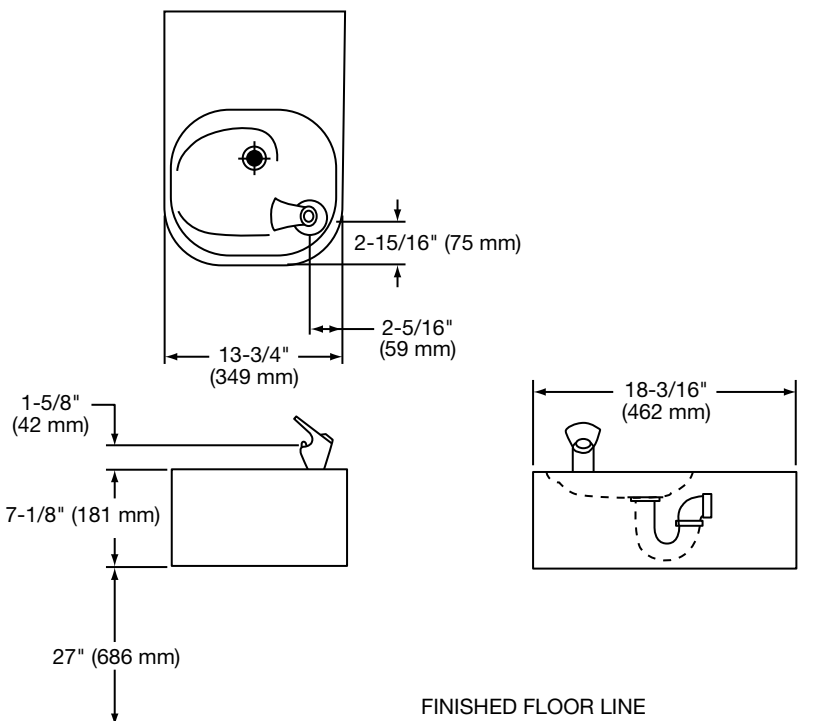
Care and Maintenance of Elkay Composite Fountains

The composite fountain provides an extremely durable, nonporous surface which resists staining. Care is very simple. Routine cleaning with a soft sponge or cloth, or with water or non-abrasive aerosol foam cleaner, is all that is normally needed to give many years of trouble free service. Cleaners left standing on the fountain surface can dull the surface finish. Be certain to rinse all cleaning agents completely and polish with a soft cloth.

Harsh abrasive cleaners are not required and should not be used.

Mild abrasives such as liquid automotive cleaning compound or baking soda paste will remove simple scratches and stains. Cigarette burns can normally be removed without noticeable effect.

To maintain or regain luster and make cleaning easier, periodic applications of automobile wax or like products will keep the finish looking like new.



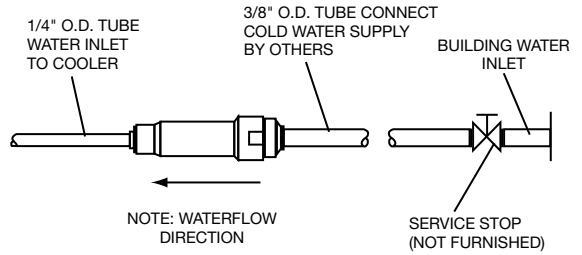
*Patent #4,481,971

In keeping with our policy of continuing product improvement, Elkay reserves the right to change product specifications without notice.

ROUGH-IN DIMENSIONS

INSTALLER NOTE

THIS DRINKING FOUNTAIN IS FURNISHED WITH A BUBBLER AND VALVE INCLUDING ALL CONNECTING FITTINGS WHICH ARE MANUFACTURED OF COMPLETELY LEAD FREE MATERIAL. IT IS RECOMMENDED THAT SHUT OFF VALVE AND SUPPLY TUBING SUPPLIED BY OTHERS BE NON-METALLIC.



OPERATION OF QUICK CONNECT FITTINGS

