



## Illustrated Parts Breakdown

Model: **BSE1SHS-H100**



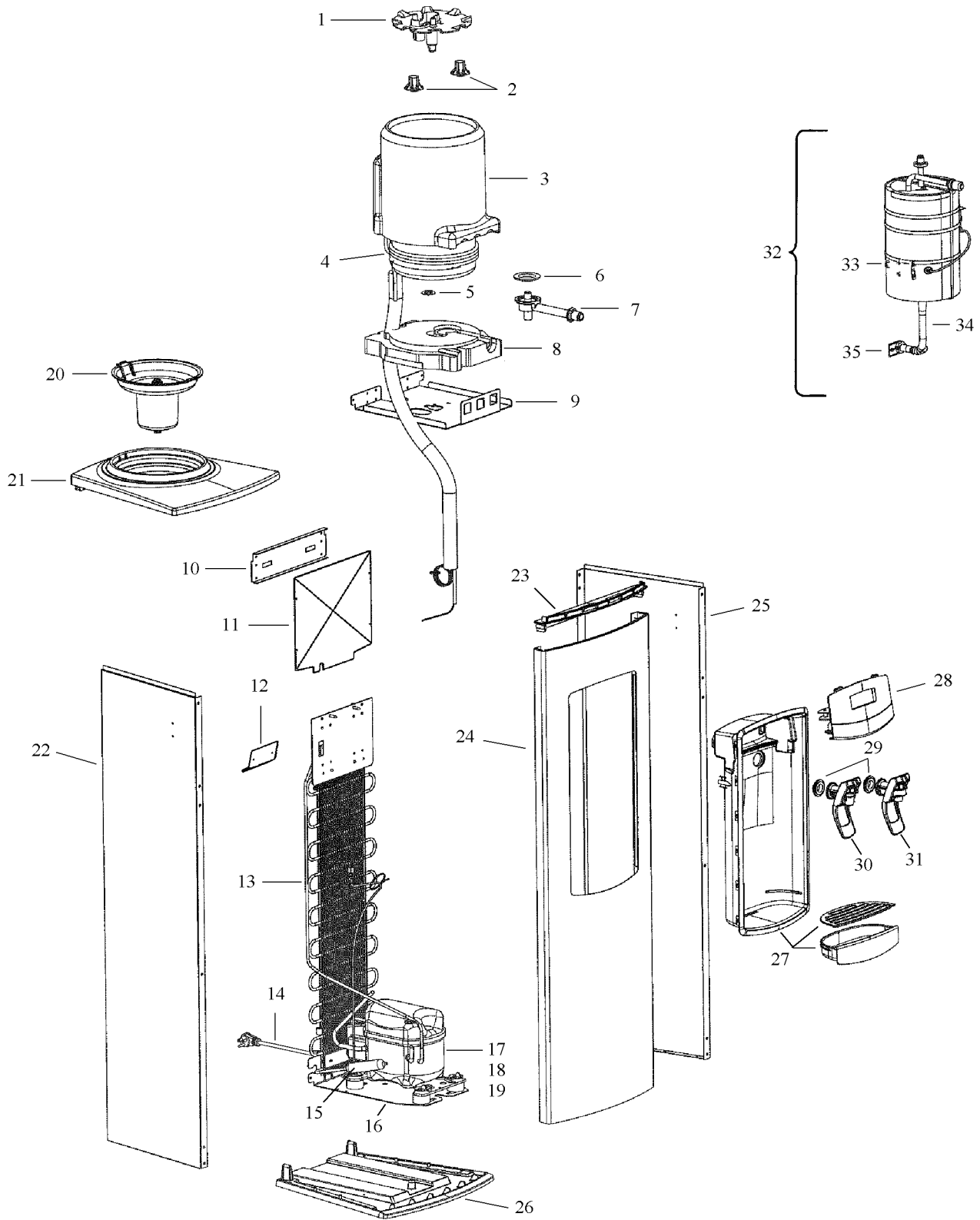
### SPECIFICATIONS:

#### Model: **BSE1SHS-H100**

Voltage	115VAC±10%/1 PH/60 Hertz
Size	38 1/4"H, 12 7/8"W, 13 5/8"D
Shipping Weight (Approx)	45 lbs.
Cold Water Capacity*	1 GPH
Compressor	1/20 hp
Compressor (Full Load)	5.5 amps
Refrigerant	134a
Refrigerant Charge	1.1 oz.

\*A.R.I. Ratings: Room Temperature 90°F; Supply Water Temperature 80°F; Drinking Water Temperature 50°F.

Specifications subject to change without notice.



Item #	Description	BSE1SHS-H100
--------	-------------	--------------

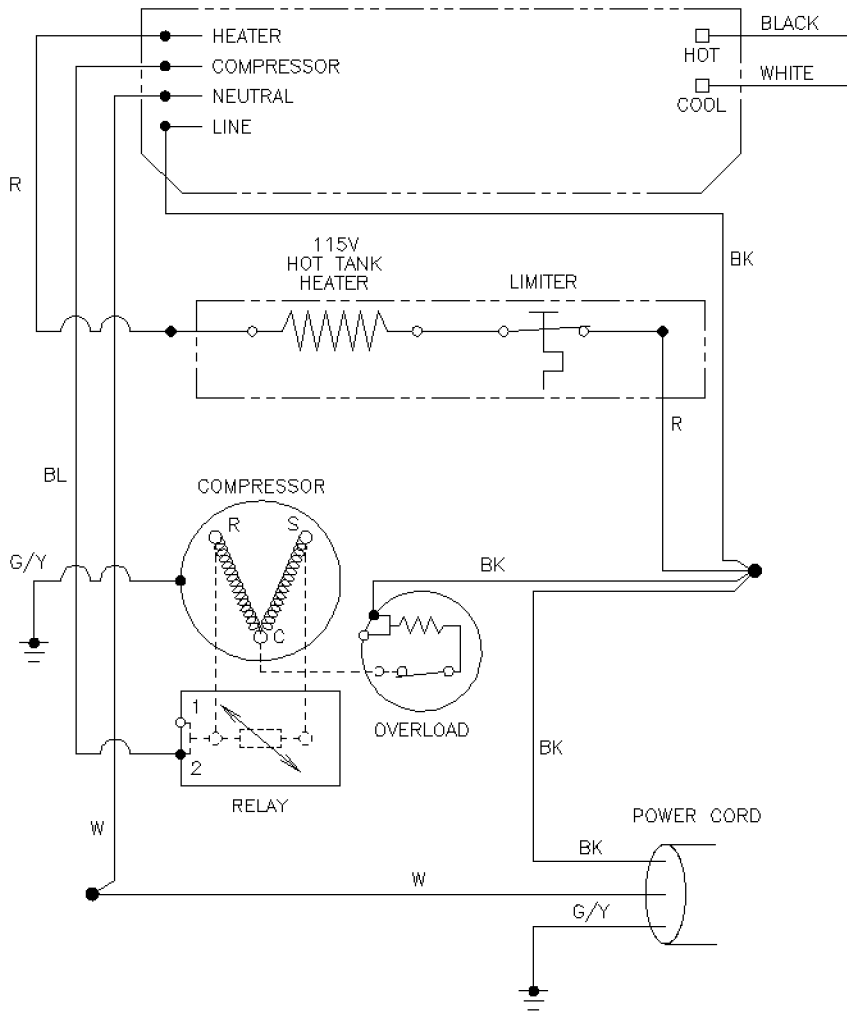
1	Baffle .....	030914-001
2	Cooling Tank Fitting .....	020485
3	Cooling Tank Insulation .....	033186-001
4	Cooling Tank Assembly .....	033193-004
5	Gasket, Hot Water Inlet .....	027965-001
6	Gasket, Water Outlet Tube .....	027139
7	Water Outlet Tube, Cold .....	020484-004
8	Shelf Insulation .....	033188-001
9	Shelf .....	033185-001
10	Bracket, Back Support .....	036070-001
11	Panel, Back Cover .....	64-0042-05
12	Handle .....	034050-002
13	Condenser .....	035972-001
14	Service Cord .....	026540-056
15	Drier .....	034343-002
16	Base, Steel .....	033191-001
17	Compressor, Huayi .....	036027-001
18	Relay .....	036056-001
19	Overload .....	036055-001
20	Spillguard Assembly .....	035907-001
21	Top, Black .....	036066-001
22	Left Panel, Black .....	036061-002
23	Front Cap, Black .....	036072-001
24	Front Panel, SS .....	036060-001
25	Right Panel, Black .....	036062-002
26	Base, Black .....	036067-001
27	Alcove Assy, Black - Includes Grill & Tray .....	036071-001
28	Electronic Module Assembly .....	036083-001
29	Faucet Gasket, Black .....	033190-005
30	Faucet, Hot .....	036076-101
31	Faucet, Cold .....	036075-101
32	Hot Tank Assembly .....	035101-005
33	Hot Tank Limiter .....	033588-003
34	Hot Tank Drain Line .....	035024-001
35	Hot Tank Drain .....	033970-003

Parts Not Shown

Cold Sensor Assembly .....	036101-001
Hot Sensor Assembly .....	036101-002

# Electrical Diagram

## BSE1SHS-H100



**TRI PALM INTERNATIONAL, LLC**  
 222 East Campus View Blvd. - Columbus, OH 43235 U.S.A.  
 614/861-1350 - Fax: 614/322-4557  
[www.tripalmint.com](http://www.tripalmint.com)