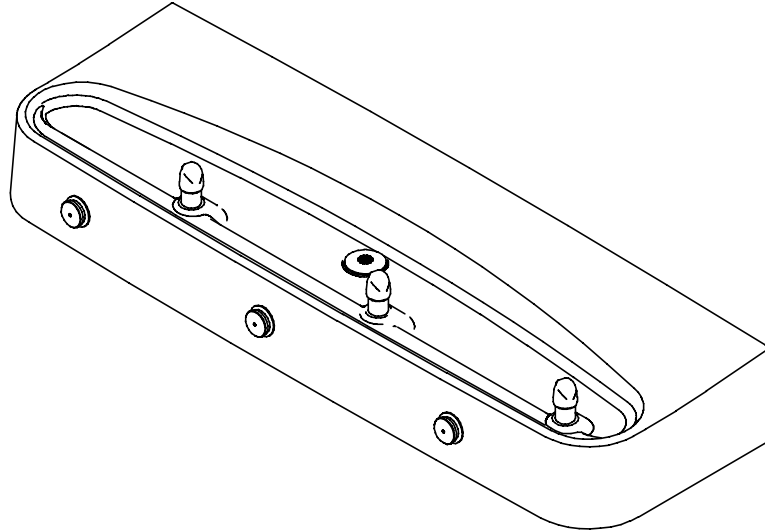


# Halsey Taylor Owners Manual

7130FR

*Freeze Resistant Marblyte Fountain*



## Installer

To assure you install this model easily and correctly, PLEASE READ THESE SIMPLE INSTRUCTIONS BEFORE STARTING THE INSTALLATION. CHECK YOUR INSTALLATION FOR COMPLIANCE WITH PLUMBING, ELECTRICAL AND OTHER APPLICABLE CODES. After installation, leave these instructions inside the fountain for future reference. This Freeze Resistant Fountain is shipped in two separate cartons. The second carton contains the Freeze Resistant Package **HTTFRB1** that are installed on an interior heated wall. The interior space must maintain a minimum temperature of 50° F (10° C). Refer to the Freeze Resistant Package for the rough-in dimensions for installation.

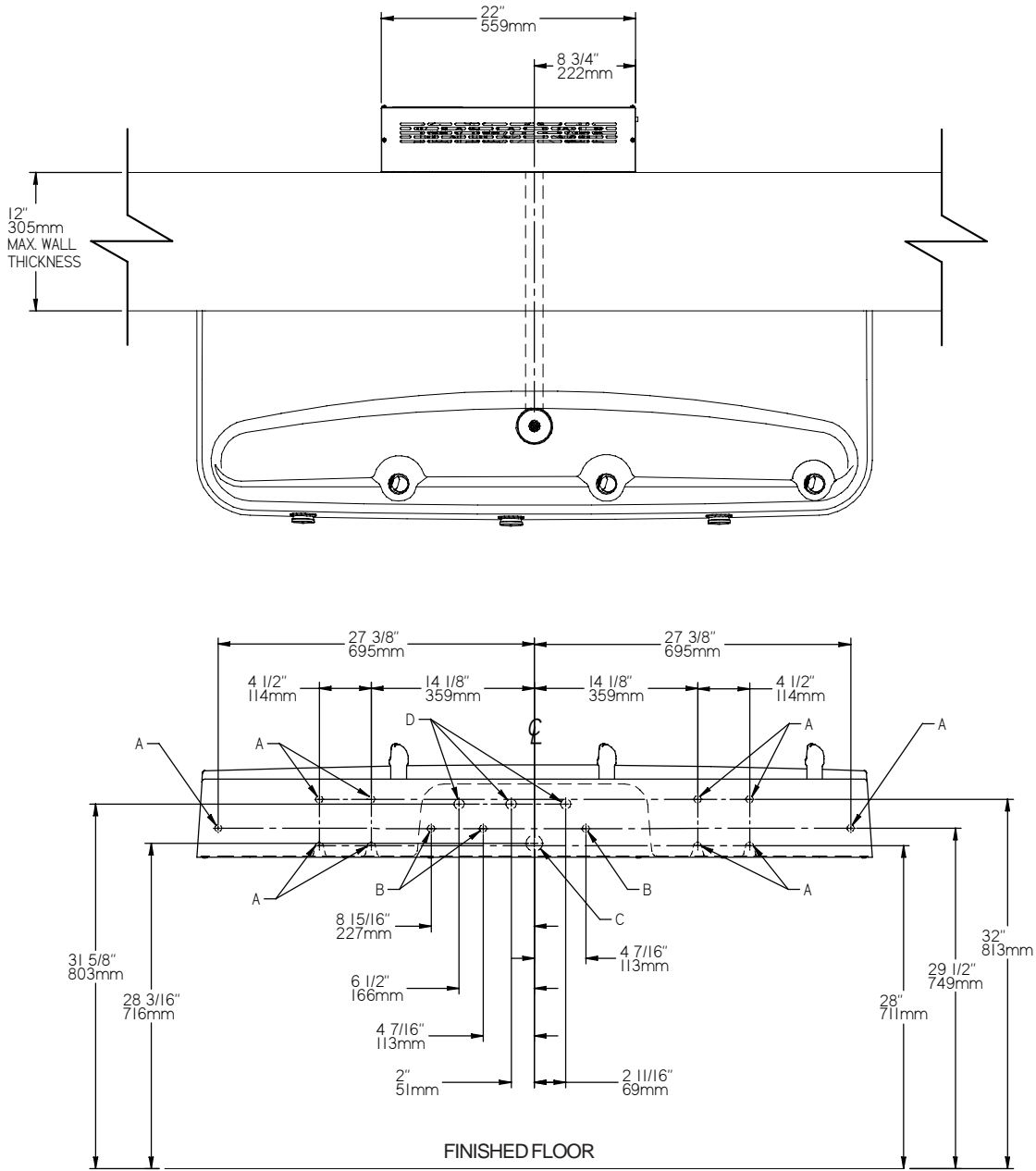
## IMPORTANT

ALL SERVICE TO BE PERFORMED BY AN AUTHORIZED SERVICE PERSON

### IMPORTANT! INSTALLER PLEASE NOTE.

THE GROUNDING OF ELECTRICAL EQUIPMENT SUCH AS TELEPHONE, COMPUTERS, ETC. TO WATER LINES IS A COMMON PROCEDURE. THIS GROUNDING MAY BE IN THE BUILDING OR MAY OCCUR AWAY FROM THE BUILDING. THIS GROUNDING CAN CAUSE ELECTRICAL FEEDBACK INTO A FOUNTAIN, CREATING AN ELECTROLYSIS WHICH CAUSES A METALLIC TASTE OR AN INCREASE IN THE METAL CONTENT OF THE WATER. THIS CONDITION IS AVOIDABLE BY USING THE PROPER MATERIALS AS INDICATED. ANY DRAIN FITTINGS PROVIDED BY THE INSTALLER SHOULD BE MADE OF PLASTIC TO ELECTRICALLY ISOLATE THE FOUNTAIN FROM THE BUILDING PLUMBING SYSTEM.

# 7130FR MOUNTING BOLT AND ACCESS HOLE LAYOUT

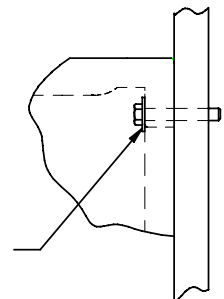


**LEGEND**

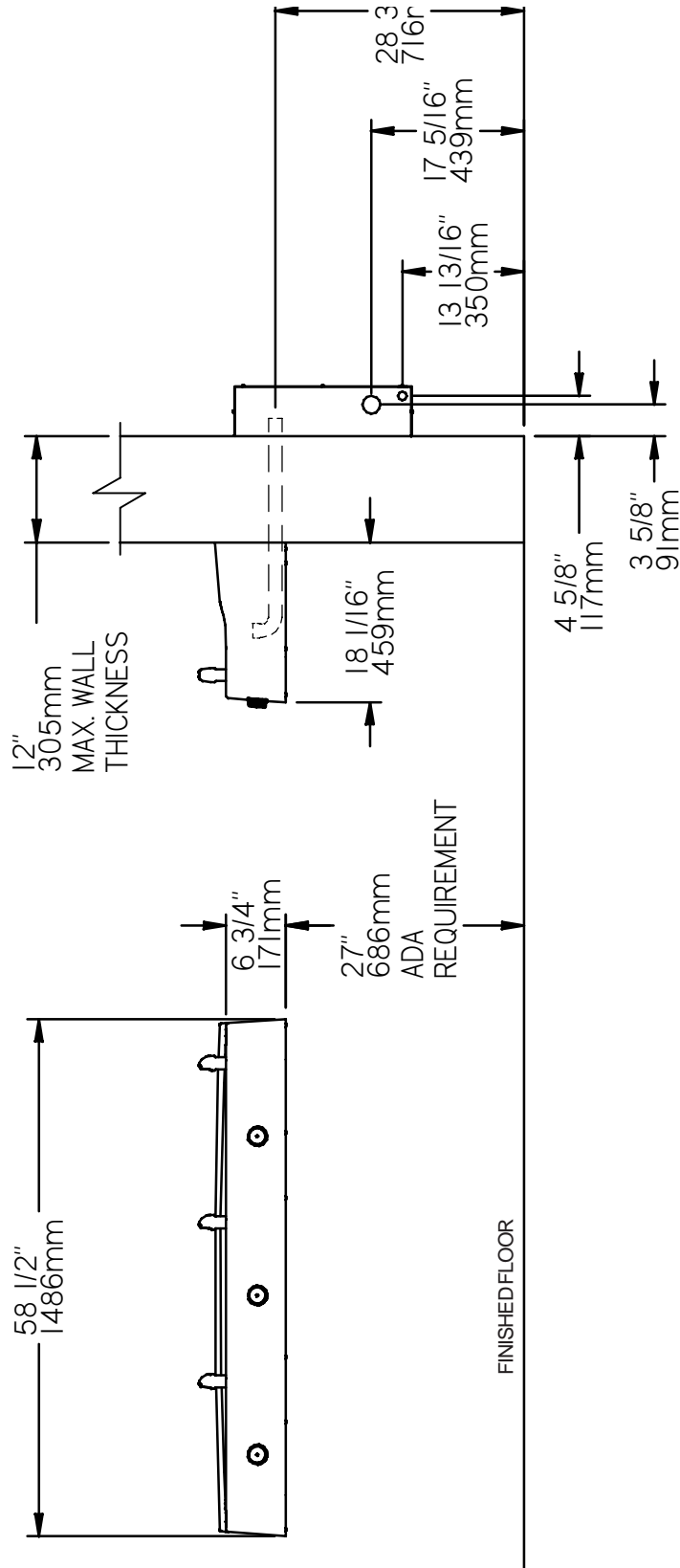
- A = HOLE LOCATION FOR SECURING FOUNTAIN TO WALL**
- B = 7/8" DIA. (22mm) HOLE FOR OPERATING CABLE**
- C = 1-3/4" (44mm) HOLE FOR WASTE LINE**
- D = 7/8" DIA. (22mm) HOLE FOR WATER SUPPLY TUBE**

**FIG. 1**

WASHER REQUIRED TO MINIMIZE BREAKAGE OF FOUNTAIN (TYP.) ALL MOUNTING BOLTS WASHERS NOT INCLUDED



**7130FR  
ROUGH-IN DRAWINGS**



**FIG. 2**

1. Wall should already be framed for the fountain using dimensions shown in Fig. 1. Shown dimensions pertain to installation location. These dimensions are required for compliance with ANSI Standard A117.1. and ADA (Framing shown for reference only).
2. Remove bottom cover from fountain and save the screws.
3. Install the fountain using bolts and washers (not provided). Tighten securely.
4. **Attach drain tube to fountain and cut to required length using the freeze resistant box as a guide.**
5. Install freeze-resistant box - see box instructions.
6. Replace bottom cover.

The freeze resistant package must be mounted on an interior wall in a heated area. The room temperature of the interior heated area must be 50° F (10° C) or higher. The freeze resistant package may be surface or recessed mounted. If recess mounted the surface of the cover must be flush with the interior wall surface. The package is furnished with screws for mounting the cover to the box. If the box is recess mounted, do not fasten the top and bottom of the cover to the box. Use the holes on the front only.

1. Assemble the operating cable to the fountain bracket. (Fountain should be mounted to exterior wall) Create a loop in the cable and thread the free end of the cable through the wall into the freeze resistant box. The adjustment nuts should be in the middle of threaded area on the operating cable. See Figure 9
2. Connect free end of operating cable to the valve-operating bracket. The end of the cables must be recessed into the indents on the pivot brackets.
3. Remove cable free play by adjusting the jam nuts on the ends of the operating cable. See Figure 6
4. Connect water line from fountain bubbler into freeze resistant box. The connection to the box uses a quick connect water fitting. Position the water line, in the fountain, to drain back into interior mounted box. **NOTE: TRIM WATER SUPPLY TUBING TO APPROPRIATE LENGTH, TO ALLOW FOR POSITIVE WATER FLOW.** Any water left standing, in the exterior line, can freeze.

To insert tubing, push tube straight into fitting until it reaches a positive stop. To remove tubing from the fittings, relieve water pressure, push in on dark gray collar while pulling out on the tubing. See Figure 4.

5. Connect drain and water supply lines to the freeze resistant fountain. Refer to Figure 1 for component positions. Inline strainer must be used on the inlet water line.

Start-up

1. Turn on building water supply and check all connections for leaks. Repair as required.
2. Stream height is factory set at 35 PSI. If stream height needs to be changed adjust the screw on the regulator in the freeze resistant package. Clockwise adjustment raises stream height, counter clockwise adjustment will lower stream.
3. Adjust operating cable as required. Cable system should have a minimal amount of free play to allow for proper valve operation. If the system is too tight the valve will stay in the on position creating constant water flow. Too much free play will result in non-operation of the valve with the push-buttons.
4. Note: Water from the drain back tube in the freeze resistant package, will continue to run while the valve is actuated.
5. After cable system is adjusted properly stuff flexible insulation into any openings between the outside wall and the interior box.
6. Recheck all connections. If all connections are leak free replace the covers on the freeze resistant box and fountain.

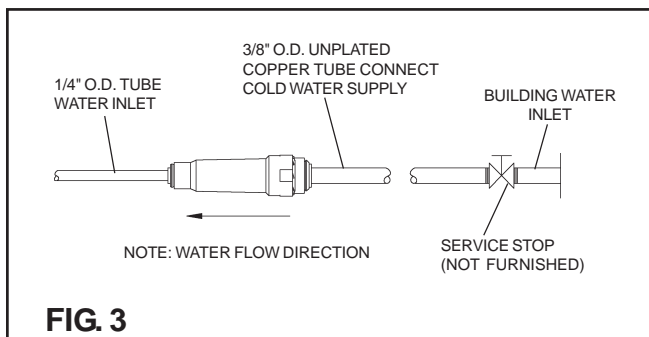


FIG. 3

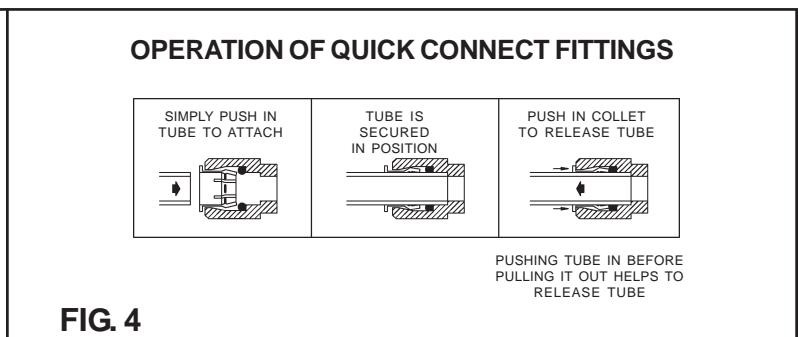


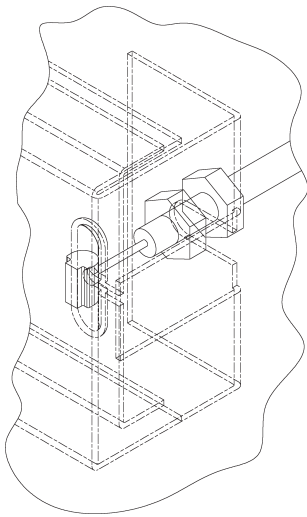
FIG. 4

**CABLE SHEATH ADJUSTMENT**

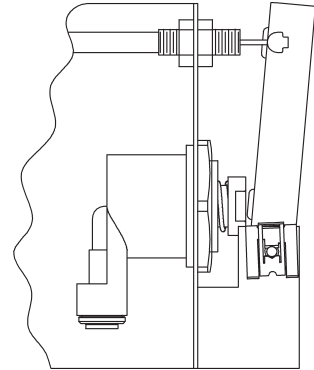
To Increase Free Play



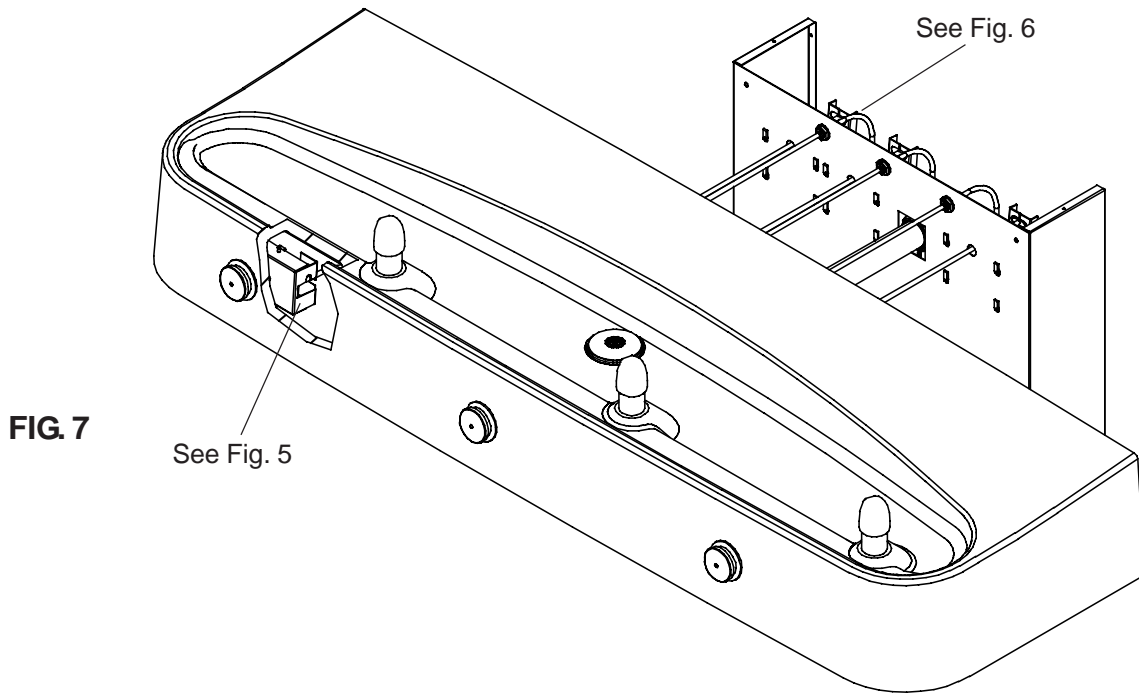
To Reduce Free Play



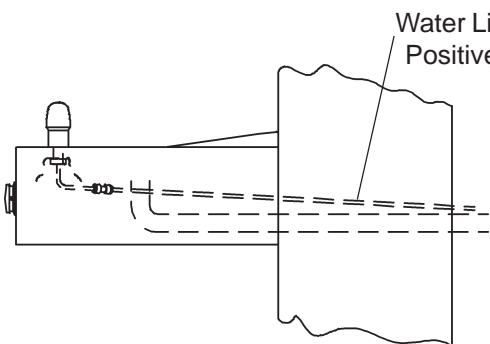
**FIG. 5**



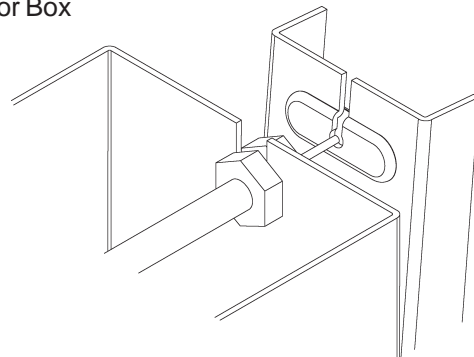
**FIG. 6**



**FIG. 7**



**FIG. 8**



**FIG. 9**

## CARE AND MAINTENANCE OF HALSEY TAYLOR MARBLYTE FOUNTAINS

1. Marblyte provides an extremely durable, nonporous surface which resists staining. Care is very simple. Routine cleaning with a soft sponge or cloth, or with water or a non-abrasive aerosol foam cleaner, is all that is normally needed to give many years of trouble free service. Cleaners left standing on the fountain surface can dull the surface finish. Be certain to rinse all cleaning agents completely and polish with a soft cloth.
2. Harsh abrasive cleaners are not required and should not be used.
3. Mild abrasives such as liquid automotive cleaning compound or baking soda paste will remove simple scratches and stains. Cigarette burns can normally be removed without noticeable effect. Deeper scratches or gouges can be corrected with fine grit sandpaper (240 grit then 400 grit) or a green scotchbrite pad.
4. To maintain or regain luster and make cleaning easier, periodic applications of automobile wax or like products will keep the finish looking like new.

## TROUBLE SHOOTING AND MAINTENANCE

1. **Orifice Assy:** Mineral deposits on orifice can cause water flow to spurt or not regulate. Mineral deposits may be removed from orifice with a small round file not over 1/8" diameter or a small diameter wire.  
**CAUTION:** Do not file or cut orifice materials.
2. **Stream Regulator:** If orifice is free of material deposits, regulate flow according to instructions on page 4.
3. **Actuation of Quick Connect Water Fittings:** Cooler is provided with lead-free connectors which utilize an o-ring water seal. To remove tubing from the fitting, relieve water pressure, push in on the gray collar while pulling on the tubing (See Figure 4). To insert tubing, push tube straight into the fitting until it reaches a positive stop, approximately 3/4".

7130FR-FTN

PARTS LIST		
ITEM NO.	PARTNO.	DESCRIPTION
1	56046C	FOUNTAIN BODY
2	56304C	GASKET
3	28837C	BOTTOM COVER
4	27945C	BRACKET
5	27946C	PIVOT BRACKET
6	40045C	HEX NUT
7	40206000	RETAINER
8	45873C	DRAIN FERRULE
9	98118C	BUBBLER ASSEMBLY
10	45738C	PUSH BUTTON SLEEVE
11	45662C	PUSH BUTTON
12	50198C	SNAP BUSHING
13	51667C	BUMPER
14	56117C	PUSH BUTTON EXT.
15	15029C	NIPPLE ASSY.
16	75672C	CAP SCREW
17	70012C	BUBBLER LOCKNUT
18	70854C	PIVOT ROD
19	75534C	SCREW - PINNED TORX
20	75575C	ANTI-ROTATIONAL BALL
21	45879C	TAILPIPE 1-1/2 X 1-3/16
NS	75520C	BIT - PINNED TORX
NS	56092C	POLY TUBING (Cut To Length)

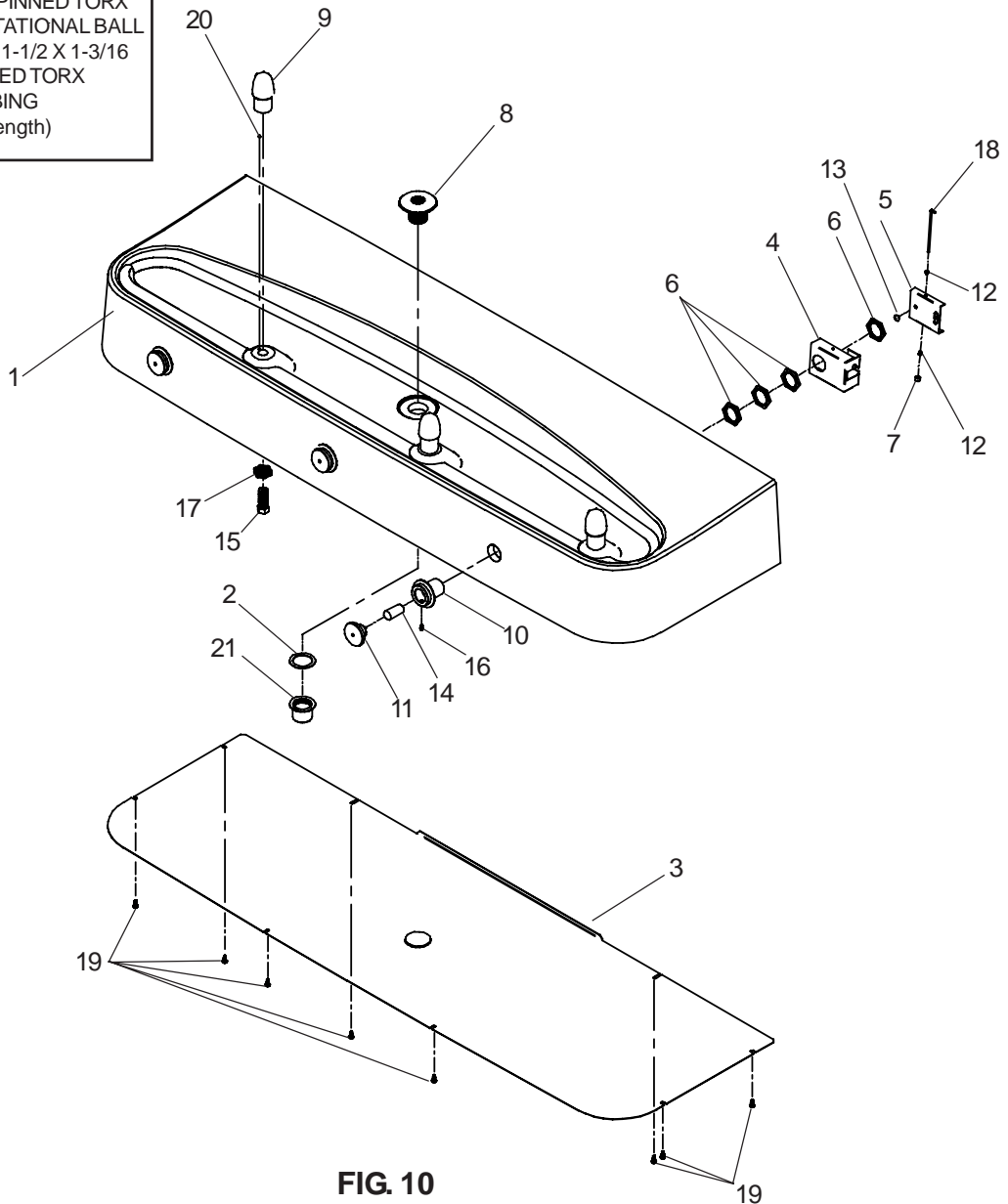


FIG. 10