



Barrier-Free Fountain

MODEL 7130



This fountain is certified to NSF/ANSI 61.

GENERAL

Three-Station face-mounted fountain made of White Granite Marblyte™ solid-surface non-porous polymer. Contour-formed basin with softly rounded corners and edges reduces splatter, insures proper drainage and prevents standing waste water. Designed to be easily accessible on either side to both physically challenged and able-bodied individuals. Ideally suited for installation in public areas. Model meets state and federal requirements as defined by the Americans with Disabilities Act.

BUBBLERS

Vandal-resistant bubblers are one-piece, chrome plated, and are secured to fountain with anti-rotation mounting system. Unit has integral hood guard design to prevent contamination from other users, airborne deposits and tampering.

PUSHBUTTON ACTUATION MECHANISM

Self-closing, vandal-resistant pushbuttons do not require grasping or twisting.

AUTOMATIC STREAM HEIGHT REGULATOR

Self-closing assembly is located inside unit to prevent tampering. Unit resists corrosion and liming. A constant stream height is automatically maintained under line pressures that vary from 20 to 105 psi.

BOTTOM COVER

Fountain is equipped with a bottom cover. Cover is secured to the fountain with vandal-resistant fasteners.

INLET STRAINER

Two easily cleaned in-line strainers screen traps particles of 140 microns or larger before they enter the waterway.

WATER INLET

3/8" O.D. Tubing

DRAIN OUTLET

1-1/2" tube outlet for 1-1/2" slip joint connection.

SUGGESTED SPECIFICATIONS

Fountain shall include pushbuttons on the front, contour-formed basins to eliminate splashing and standing water, and shall have rounded corners and edges. Projectors shall be chrome-plated vandal-resistant type with integral hood guard and anti-squirt feature. Fountain shall comply with ANSI 117:1 and ADA for visual and motion disabilities. The manufacturer shall certify the unit to meet the requirements of NSF/ANSI 61, and the Safe Drinking Water Act.

Note: Continued product improvement makes specifications subject to change without notice. See Halsey Taylor website for most current spec sheet.



Standard Finish is White Granite Marblyte™

Optional Accessories (extra cost)

Standard Double Bubblers™

Each 7130 consists of 1 carton of the following:

Fountain and Misc. Parts

Service stop not included.

Shipping weight: 126 lbs.

JOB NAME: _____

 ENGINEER/CONTRACTOR NAME:

 APPROVAL: _____
 DATE: _____



7130

Three Station Marblyte™ Barrier-Free Drinking Fountain

(CONTINUED)

MOUNTING INSTRUCTIONS

Refer to diagrams for rough-in of plumbing. Bolt fountain securely to wall per installation instructions. Water supply and waste line are to be assembled as required. The final check for leaks and correct functions of fountain should be made. (For details see the installation instructions.)

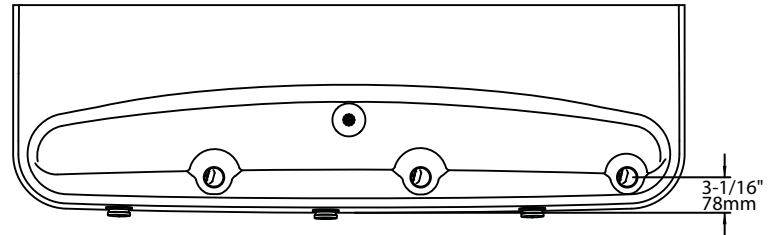
OPERATING PRESSURES:

Supply water - 105 psi maximum

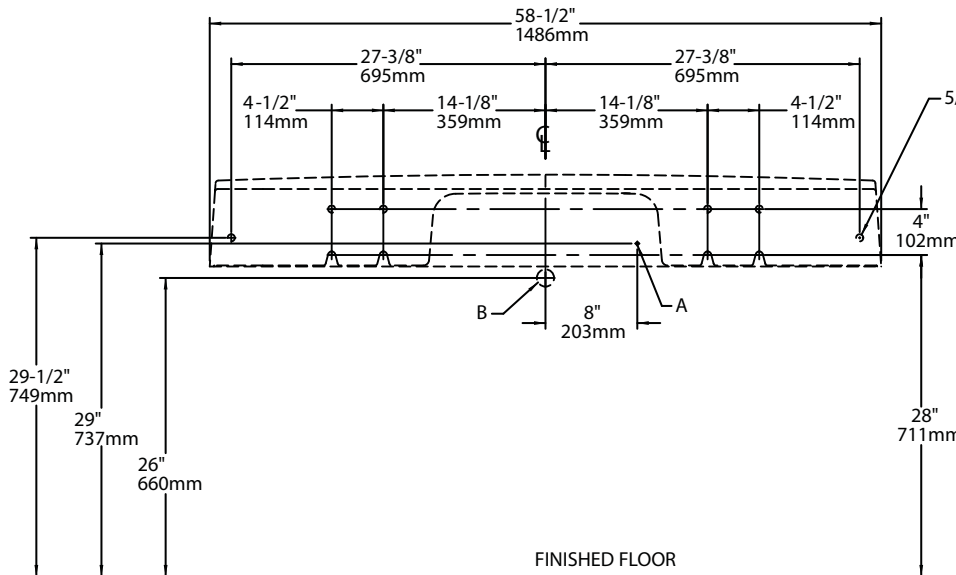
Important: For required wall support locations see installation instructions provided with fountain.

NOTE: A service supply stop (not included) must be installed at the fountain inlet line.

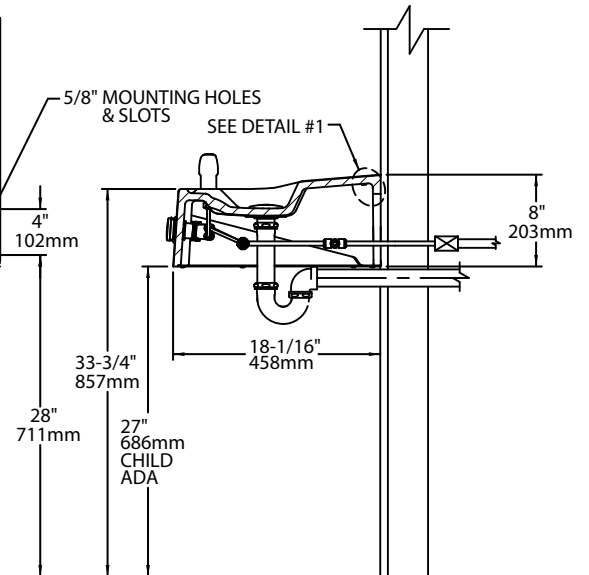
TOP VIEW



WALL LAYOUT



SIDE VIEW

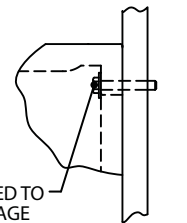


FINISHED FLOOR
EXTERNAL TRAP

LEGEND

- A = 3/8" O.D. UNPLATED COPPER TUBE CONNECT - SHUT OFF VALVE BY OTHERS
- B = WATER OUTLET 1-1/2" O.D. DRAIN STUB OUT FROM WALL 1" (25mm)

1-1/4" Trap provided.



WASHER REQUIRED TO MINIMIZE BREAKAGE OF FOUNTAIN (TYPICAL)
ALL MOUNTING BOLTS
WASHERS NOT INCLUDED

DETAIL #1