

FEATURES & BENEFITS

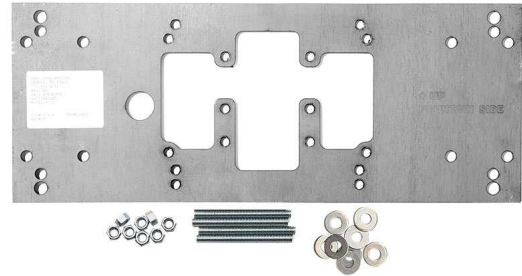
MOUNTING

3/16" (.47 cm) steel pre-drilled and threaded mounting plate along with all-thread studs

OPTIONS

- Support Frame: Model 6800 universal in-wall mounting support for use with most fountains.

For more information, visit www.hawsc.com or call (888) 640-4297.

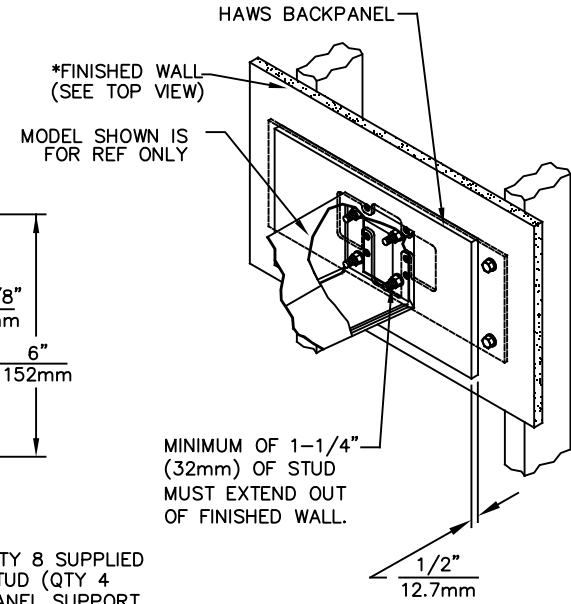
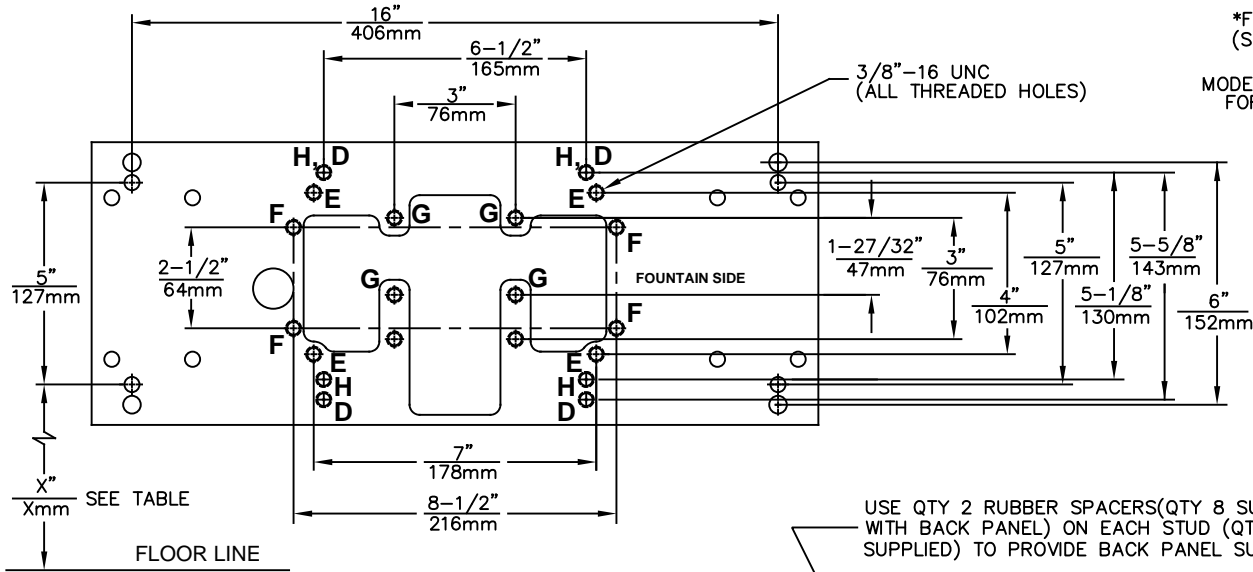


SPECIFICATIONS

Model 6700 universal mounting plate shall include a 3/16" (.47 cm) steel pre-drilled and threaded mounting plate along with all-thread studs, nuts, and washers for use with many Haws single bubbler fountains.

APPLICATIONS

Haws produces mounting plates and frames to assist in the installation process as well as to provide a solid base for the wall mounted designed fountains. Mounting plates and frames meet the requirements solely for the specified applicable fountains and are not designed to be used in the installation of any unspecified fountain.



USE QTY 2 RUBBER SPACERS(QTY 8 SUPPLIED WITH BACK PANEL) ON EACH STUD (QTY 4 SUPPLIED) TO PROVIDE BACK PANEL SUPPORT.

MINIMUM OF 1-1/4" (32mm) OF STUD MUST EXTEND OUT OF FINISHED WALL.

MODEL	MTG HOLES	"X" DIM
1000	"G"	25-3/8" [645mm]
1001	"G"	25-3/8" [645mm]
1025	"D"	28-1/8" [714mm]
1047	"E"	27-1/2" [699mm]
1075	"E"	28" [711mm]
1105	"H"	34-5/16" [872mm]
1109	"H"	27-5/16" [694mm]
1116	"G"	25-3/8" [645mm]
1001FR	"G"	25-3/8" [645mm]
1109FR	"H"	27-5/16" [694mm]
1075FR	"E"	28" [711mm]
1311	"E"	26-3/4" [679mm]
1107L	"F"	26-3/16" [665mm]
1311TRIMCA	"E"	26-3/4" [679mm]

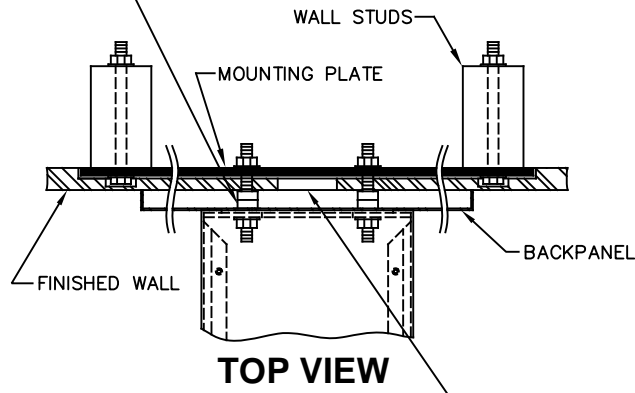
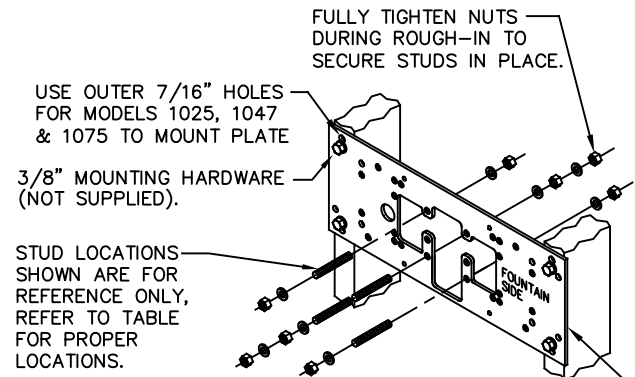


PLATE AND FOUNTAIN MOUNTING HARDWARE (3/8"-16 UNC) SUPPLIED BY HAWS.

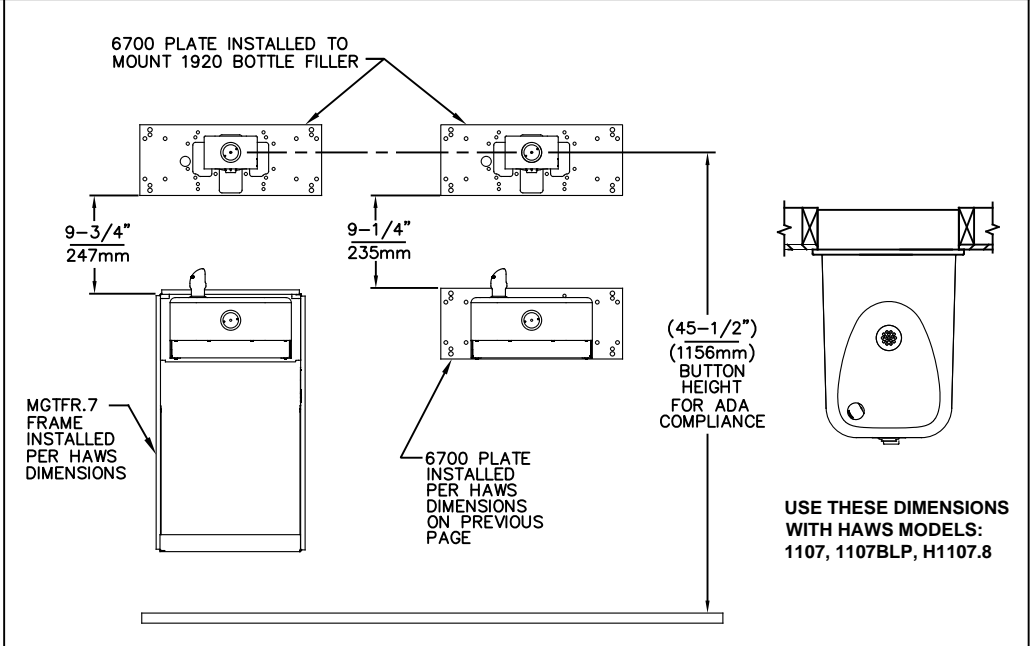
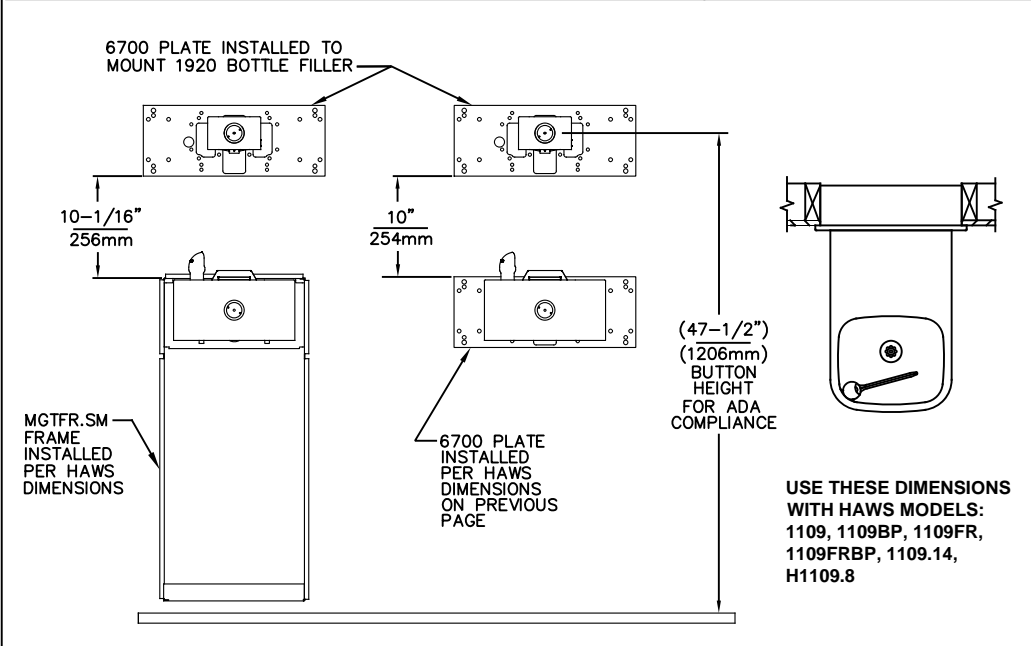
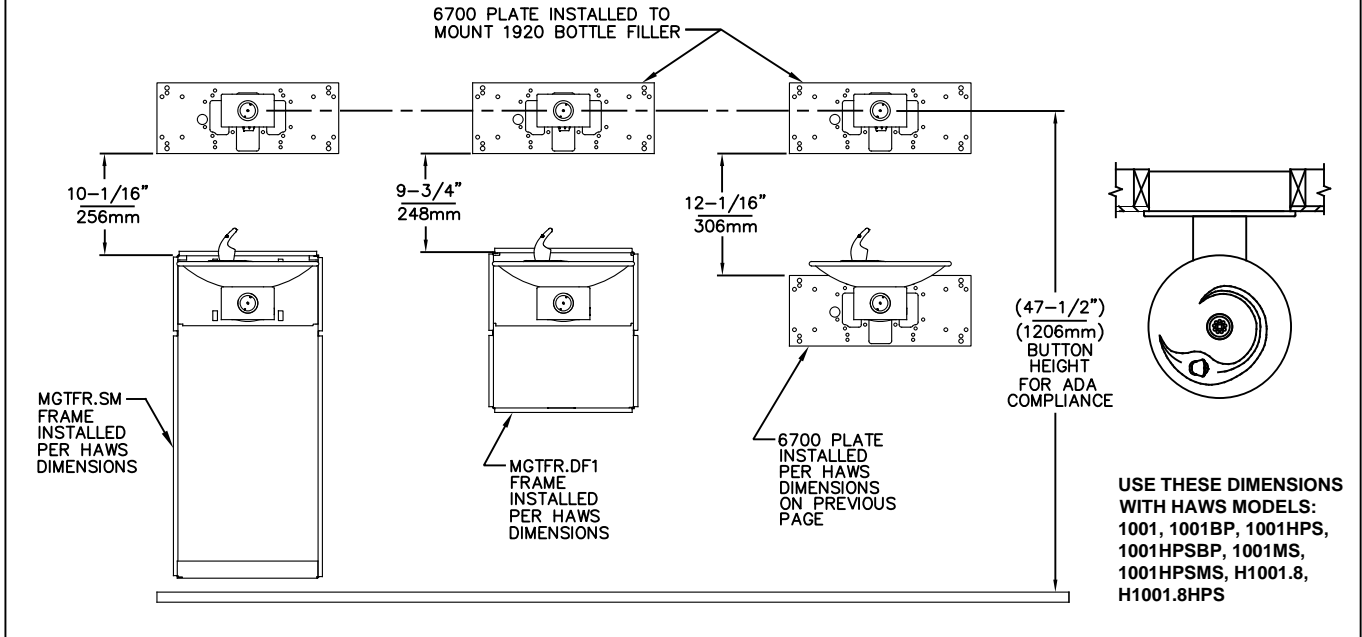
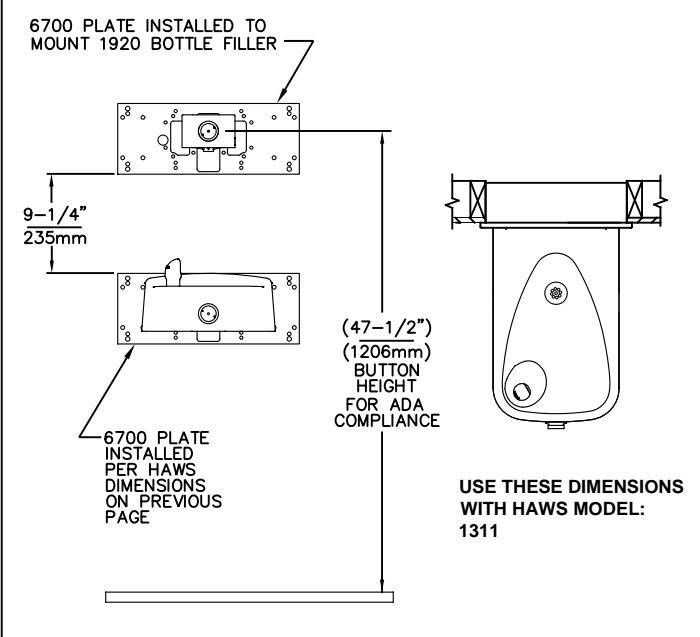
*FINISH WALL OVER MOUNTING PLATE AND BEHIND BACKPANEL. MAKE SURE THAT FINISHED WALL EXTENDS WITHIN THE BRACKET/BOWL MOUNTING HOLES (TO PROVIDE SURFACE AREA FOR RUBBER SPACERS TO CONTACT).

CAUTION

REGARDING CONCRETE/MASONRY WALL MOUNTING: DO NOT SECURE MOUNTING PLATE TO SAME SIDE OF WALL AS FOUNTAIN. AVOID COMPROMISING INTEGRITY OF WALL WHEN ANCHORING FOUNTAIN. IT IS RECOMMENDED THAT INSTALLER CALL TECHNICAL SUPPORT IF THERE ARE ANY QUESTIONS AS TO HOW TO OBTAIN A PROPER ANCHOR IN CONCRETE/MASONRY WALLS. 1-800-766-5612

1455 KLEPPE LANE
SPARKS, NEVADA 89431
(775) 359-4712 FAX (775) 359-7424
E-MAIL: HAWS@HAWSCO.COM
WEBSITE: WWW.HAWSCO.COM

ECN NO.	REVISED PER	BY:	MODEL(S)	PART NUMBER
	ECN: 5172	FV		0002080016
DRAWN:	DATE:	CHK'D:	6700	DRAWING NO.
CJL	09/03/03		MOUNTING PLATE, SINGLE	05387C00
APPROVED:	DATE:		SCALE: 1/5	DRAWING TYPE: INSTALLATION
FV	02/27/17			SIZE: A SHEET 1 OF 2



NOTES:
WHEN INSTALLING THIS UNIT, LOCAL, STATE OR FEDERAL CODES SHOULD BE ADHERED TO.

1455 KLEPPE LANE
SPARKS, NEVADA 89431
(775) 359-4712 FAX (775) 359-7424
E-MAIL: HAWS@HAWSCO.COM
WEBSITE: WWW.HAWSCO.COM

ECN NO.	REVISED PER	BY:	MODEL(S)	PART NUMBER
	ECN: 5172	FV	6700	0002080016
DRAWN:	DATE:	CHK'D.:		DRAWING NO.
MJ	02/09/17			05387C00
APPROVED:	DATE:			REV
FV	02/27/17			20
SCALE: 1/5			DRAWING TYPE: INSTALLATION	SIZE: A SHEET 2 OF 2