



model **6463**  
Drain Strainer

## FEATURES & BENEFITS

---

## OPTIONS

---

For more information, visit [www.hawsc.com](http://www.hawsc.com) or call (888) 640-4297.



## SPECIFICATIONS

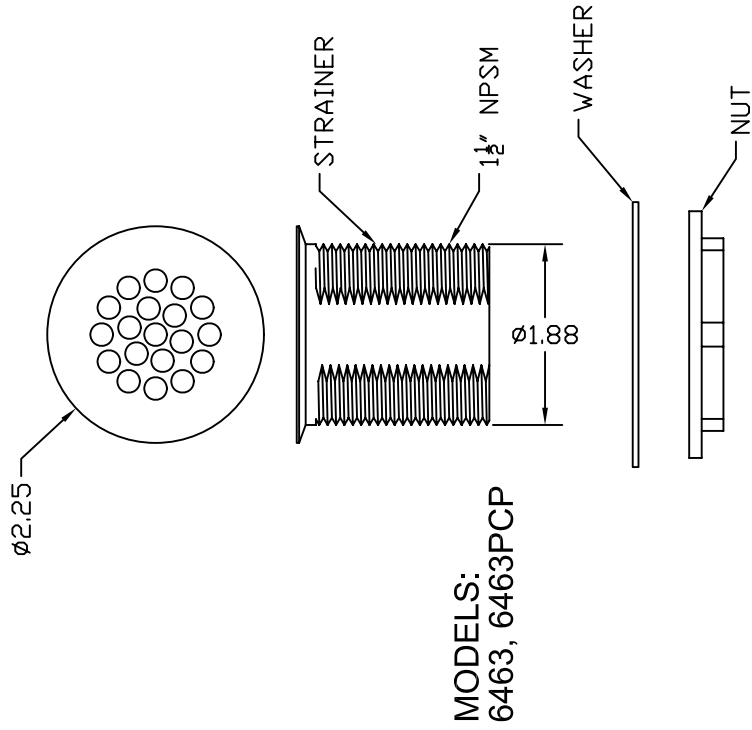
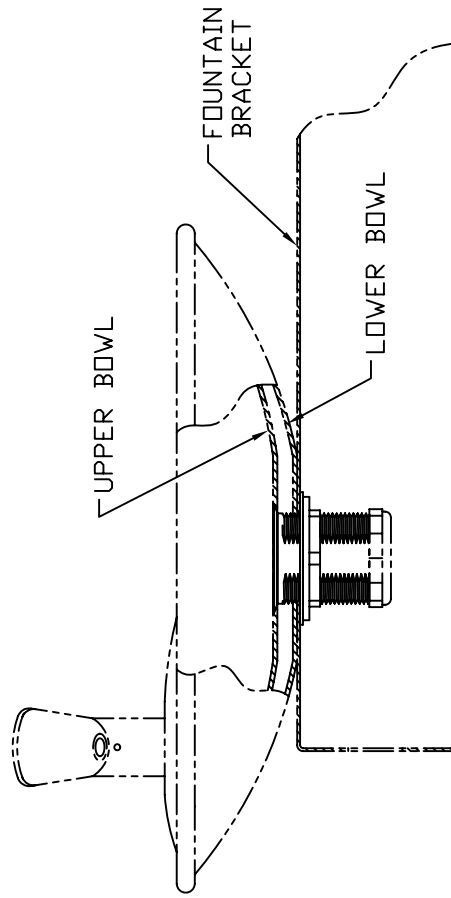
---

Model 6463 is a satin chrome-plated vandal-resistant waste strainer with anti-airlock draining feature. Includes fiber washer and locknut, 1-1/2" NPS. Used on the 1000 series type bowls.

## APPLICATIONS

---

THIS DOCUMENT IS TRUE AND CORRECT AT TIME OF PUBLICATION. CONTINUED PRODUCT IMPROVEMENTS MAKE SPECIFICATIONS AND MEASUREMENTS SUBJECT TO CHANGE WITHOUT NOTICE.



MODELS:  
6463, 6463PCP

**TYPICAL INSTALLTION**  
ACTUAL MODEL WILL VARY

INFO FAX : 1-888-FAX-HAWS (1-888-329-4297)  
1455 Kleppe Ln, Sparks NV, 89431  
Phone: 775-359-4712 Fax: 775-359-7424  
Haws Ag, Bachweg 3, CH-3401 Burgdorf Switzerland  
Haws Mfg Pte Ltd 74 Sungai Kadut Loop Singapore 729531  
e-mail: Haws@hawsco.com website: www.hawsco.com

FOR NO.	REVISED BY	DATE	DESCRIPTION
ECN: 4054	BW	12/27/99	
J.F.			
APPROVED:			

MODEL(S):	6463, 6463PCP
INFO FAX DOC #:	26463
SCALE:	1:2
DRAWING TYPE:	INSTALLATION/BACK
DRAWING NUMBER:	14458000
REV:	2
SIZE:	A
SHEET:	1 OF 1