



**MODEL 5701**



This fountain is certified to NSF/ANSI 61.

**GENERAL**

One-piece backsplash and basin made of non-corrosive stainless steel. Anti-splash ridge to reduce splatter. Contour design insures proper drainage and prevents standing waste water. Satin finish resists stains and corrosion and is easy to maintain. When properly installed, unit meets state and federal requirements as defined by the Americans with Disabilities Act for side approach.

**BUBBLER**

Exclusive two-stream mound-building bubbler with non-removable anti-squirt feature insures a more comfortable and satisfying drink of water. One-piece, chrome-plated unit has integral hood guard design to prevent contamination.

**PUSHBAR ACTUATION MECHANISM**

Self closing light touch push bars with raised letters for the visually impaired.

**AUTOMATIC STREAM HEIGHT REGULATOR**

Self-closing assembly is located inside unit to prevent tampering. Unit resists corrosion and liming. A constant stream height is automatically maintained under line pressures that vary from 20 to 105 psi.

**INLET STRAINER**

Easily cleaned in-line strainer screen traps particles of 140 microns or larger before they enter the waterway.

**WATER INLET**

3/8" O.D. Tubing

**DRAIN OUTLET**

1-1/4" tube outlet for 1-1/4" slip joint connection.

**SUGGESTED SPECIFICATIONS**

Fountain shall include pushbutton on the front, contour-formed basin to eliminate splashing and standing water, and shall have rounded corners and edges. Projector shall be two-stream, mound-building type with integral hood guard and anti-squirt feature. Cooler shall comply with ANSI 117:1 and **ADA for side approach only**. The manufacturer shall certify the unit to meet the requirements of NSF/ANSI 61, and the Safe Drinking Water Act.

Note: Continued product improvement makes specifications subject to change without notice. See Halsey Taylor website for most current spec sheet.

**Wall-Mounted  
Drinking Fountain**



Standard finish is Stainless Steel

**Optional Accessories (extra cost)**

- Vandal-Resistant Kit
- Easy-Flex™ Bubbler

Each 5701 consists of 1 carton of the following:

Fountain and Misc. Parts

Trap and service stop not included.

Copper tube to water supply connection not furnished

Shipping weight: 21 lbs.

JOB NAME: \_\_\_\_\_  
 \_\_\_\_\_  
 \_\_\_\_\_  
 ENGINEER/CONTRACTOR NAME: \_\_\_\_\_  
 \_\_\_\_\_  
 APPROVAL: \_\_\_\_\_  
 DATE: \_\_\_\_\_



\* For parallel approach only

5701

# Wall-Mounted Drinking Fountain

(CONTINUED)

## MOUNTING INSTRUCTIONS

Refer to diagrams for rough-in of plumbing.  
 For wall support required locations see installation instructions provided with fountain. Water service line and waste line are to be assembled as required. Final check for leaks and correct functions of fountain should be made. (For details see the installation instructions.)

Trap and service stop not included.

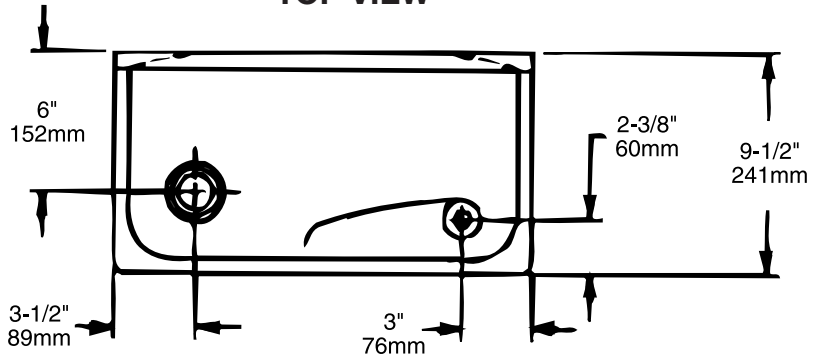
**CAUTION** – Fountain must be securely bolted to wall

## OPERATING PRESSURES

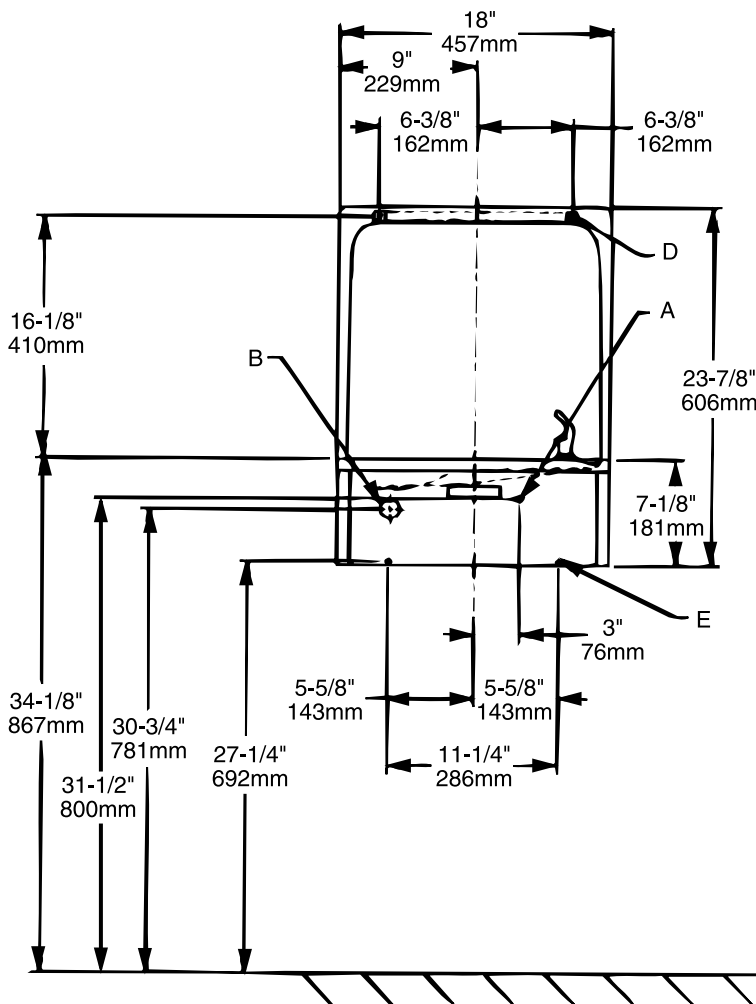
Supply water-105 psi maximum

**NOTE:** A service supply stop (not included) must be installed at the fountain inlet line.

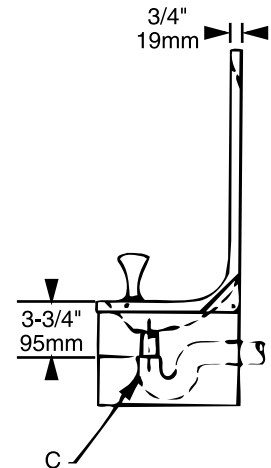
TOP VIEW



FRONT VIEW / WALL LAYOUT



SIDE VIEW



LEGEND:

- A = RECOMMENDED WATER SUPPLY LOCATION, 3/8" O.D. UNPLATED COPPER TUBE CONNECT
- B = RECOMMENDED LOCATION FOR WASTE OUTLET, 1-1/4" O.D. DRAIN
- C = 1-1/4" TRAP NOT FURNISHED
- D = MOUNTING HOLES FOR BASIN HANGER STRAP
- E = MOUNTING HOLES FOR FOUNTAIN

FINISHED FLOOR