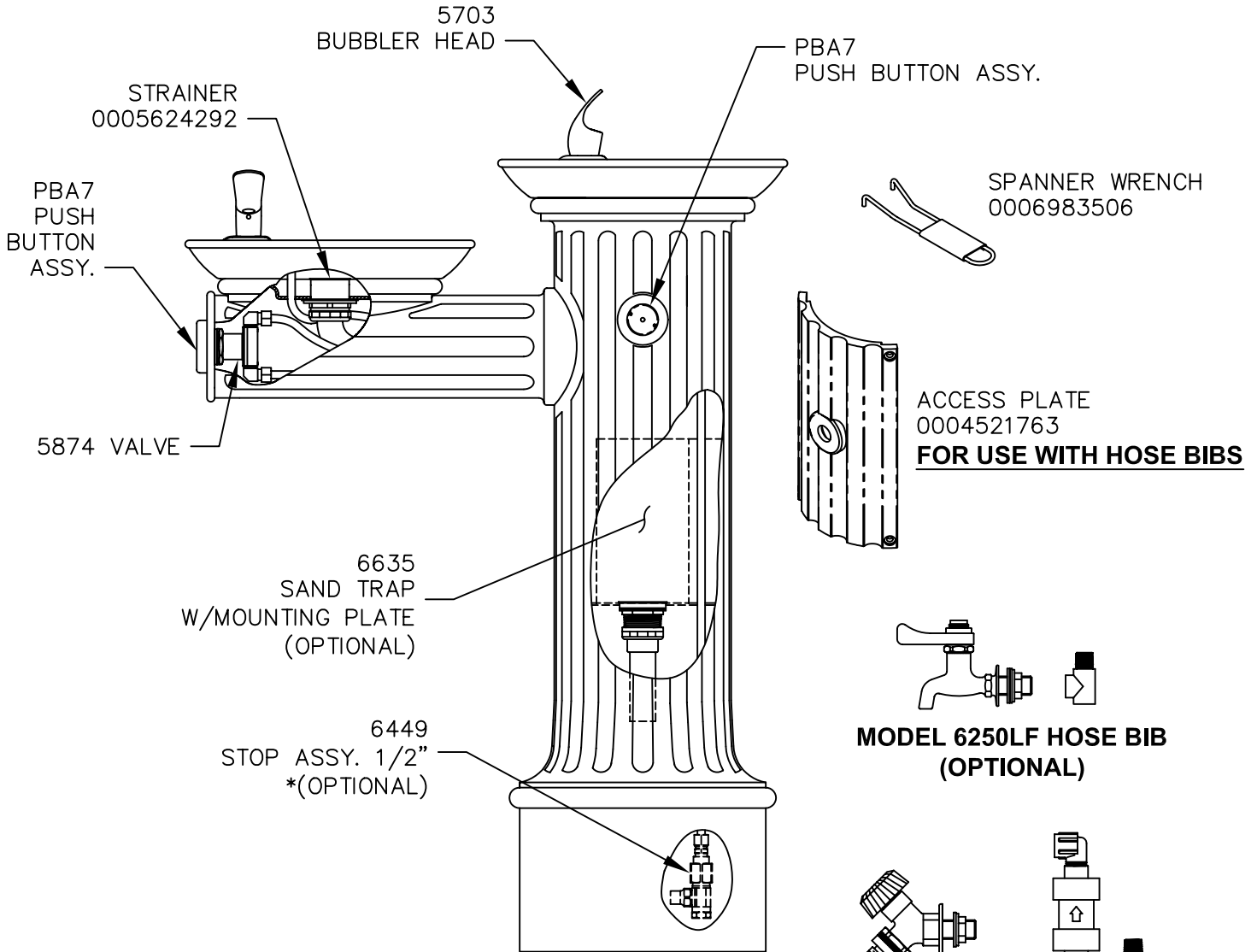
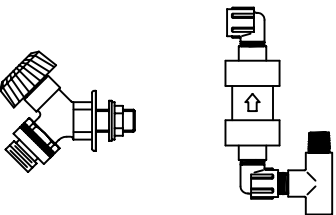


# PARTS BREAKDOWN




\* IF PURCHASED MFG SUGGESTS YOU USE WITH CONNECTOR P/N 0001730150.2

**MODEL 6250LF HOSE BIB (OPTIONAL)**



**MODEL 6275 HOSE BIB (OPTIONAL)**

**IMPORTANT: IF EITHER HOSE BIB IS USED IT MUST BE USED WITH SAND TRAP 6611. CANNOT OFFER HOSE BIBS AS AN OPTION WITH SAND TRAP 6635. IF A HOSE BIB IS PURCHASED, ACCESS PLATE 0004521763 MUST BE USED.**

<b>WHEN ORDERING PARTS PLEASE SPECIFY YOUR MODEL NUMBER</b>			1455 KLEPPE LANE SPARKS, NEVADA		BACHWEG 3 CH3401 BURGDORF SWITZERLAND	
	DRAWN BY: PM	DATE: 05/03/00	CHECK BY:	APP'D BY:	SCALE: 1/4	
	TITLE: 3511			PART NUMBER: 0002074001		
	DRAWING TYPE: PARTS BREAKDOWN			DRAWING NUMBER: 14684C00		REV. 12