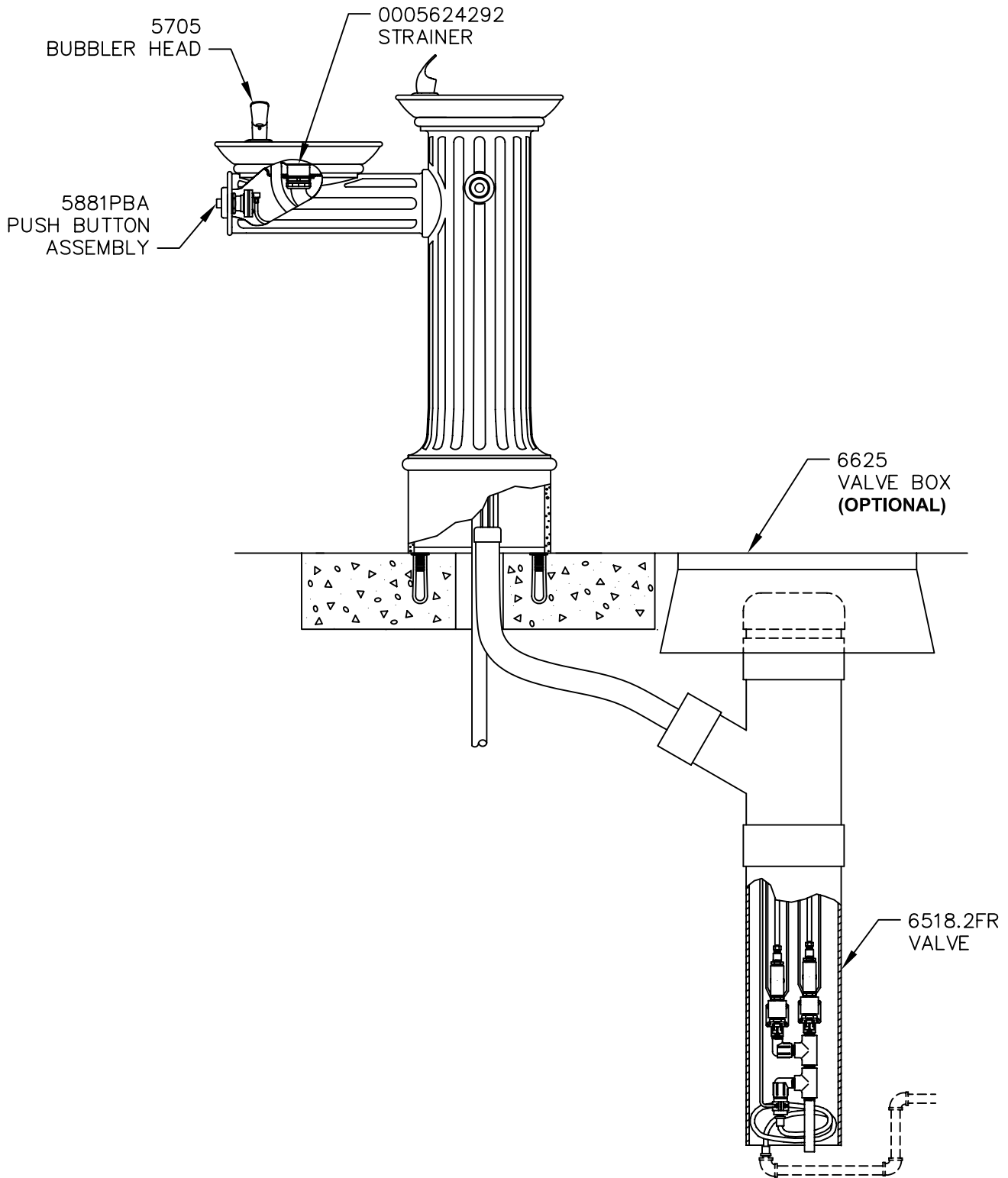



PARTS BREAKDOWN



WHEN ORDERING PARTS PLEASE SPECIFY YOUR MODEL NUMBER			1455 KLEPPE LANE SPARKS, NEVADA	BACHWEG 3 CH3401 BURGDORF SWITZERLAND
DRAWN BY: P MCMULLEN DATE: 05/09/00 CHECK BY: APP'VD BY: SCALE: 1/6			PART NUMBER: 0002077369	
TITLE: MODEL 3511FR		DRAWING NUMBER: 14697C00		REV. 6

REV	DESCRIPTION	ECN	DATE	BY/APVD
REVISIONS				