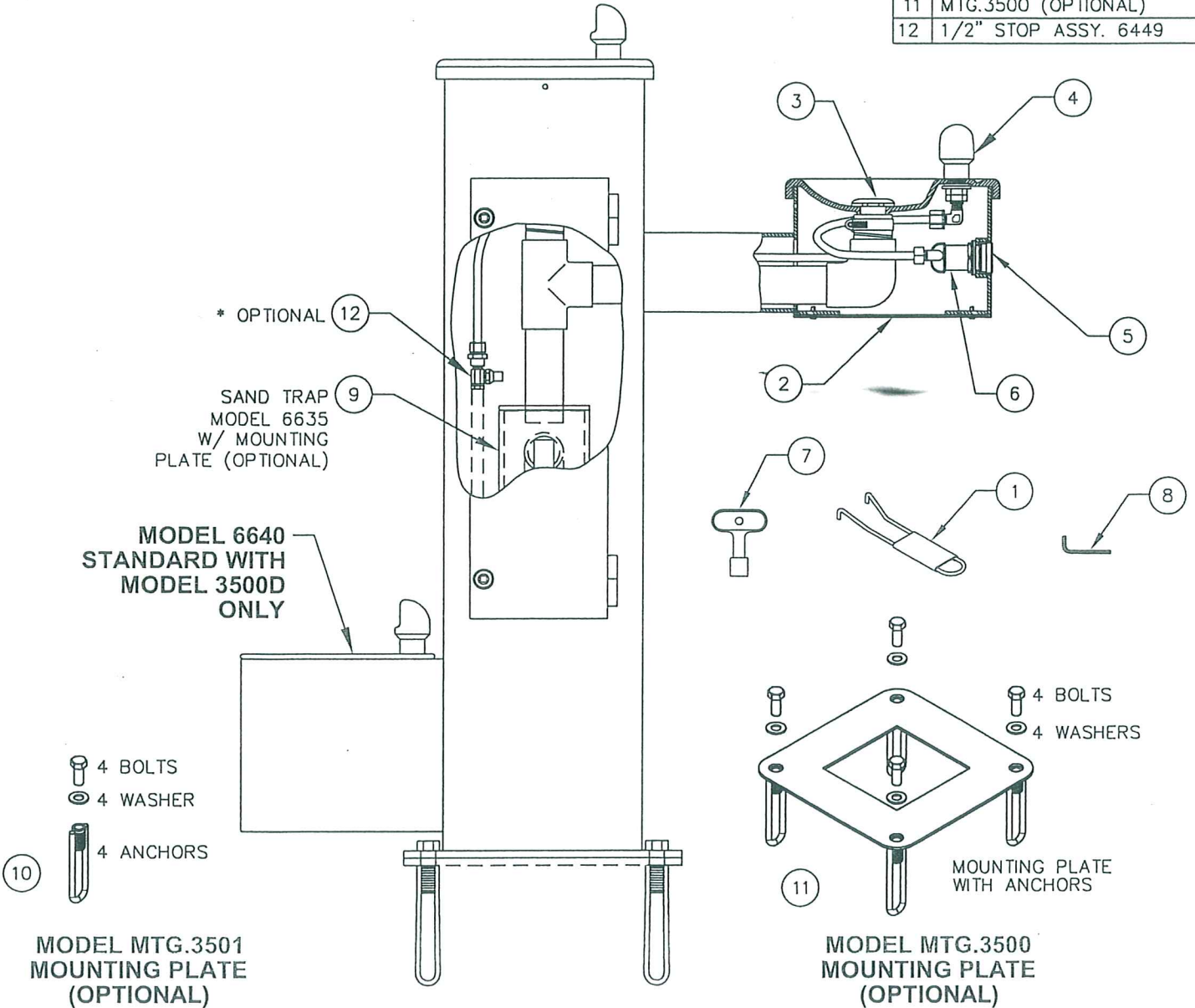


PARTS BREAKDOWN

ITEM	DESCRIPTION
1	SPANNER WRENCH P/N 0006983506
2	BOTTOM PLATE PBM1035
3	STRAINER 6452
4	BUBBLER HEAD 5703M
5	PUSH BTN ASS'Y PBA7
6	VALVE 5874
7	DOOR KEY, TEE 0002049640
8	KEY, 5/32" HEX PINNED P/N 0002981127
9	6635 SANDTRAP (OPTIONAL)
10	MTG.3501 (OPTIONAL)
11	MTG.3500 (OPTIONAL)
12	1/2" STOP ASSY. 6449



* IF PURCHASED MFG SUGGESTS YOU USE WITH CONNECTOR P/N 0001730150.2

WHEN ORDERING PARTS PLEASE SPECIFY YOUR MODEL NUMBER



Haws Corporation

1455 KLEPPE LANE
SPARKS, NEVADA

BACHWEG 3
CH.3401 BURGDORF
SWITZERLAND

DRAWN BY: F.V.	DATE: 02/04/99	CHECK BY: [Signature]	APPROV BY: [Signature]	SCALE: 1/4
TITLE: 3500/3500D	PART NUMBER: 0002077448			REV. 10
DRAWING TYPE: PARTS BREAKDOWN	DRAWING NUMBER: 13961C00			REV. 10

REV	DESCRIPTION	ECN	DATE	BY/APVD
10	UPDATED PER ECN	3878	12/13/06	HM
REVISIONS				