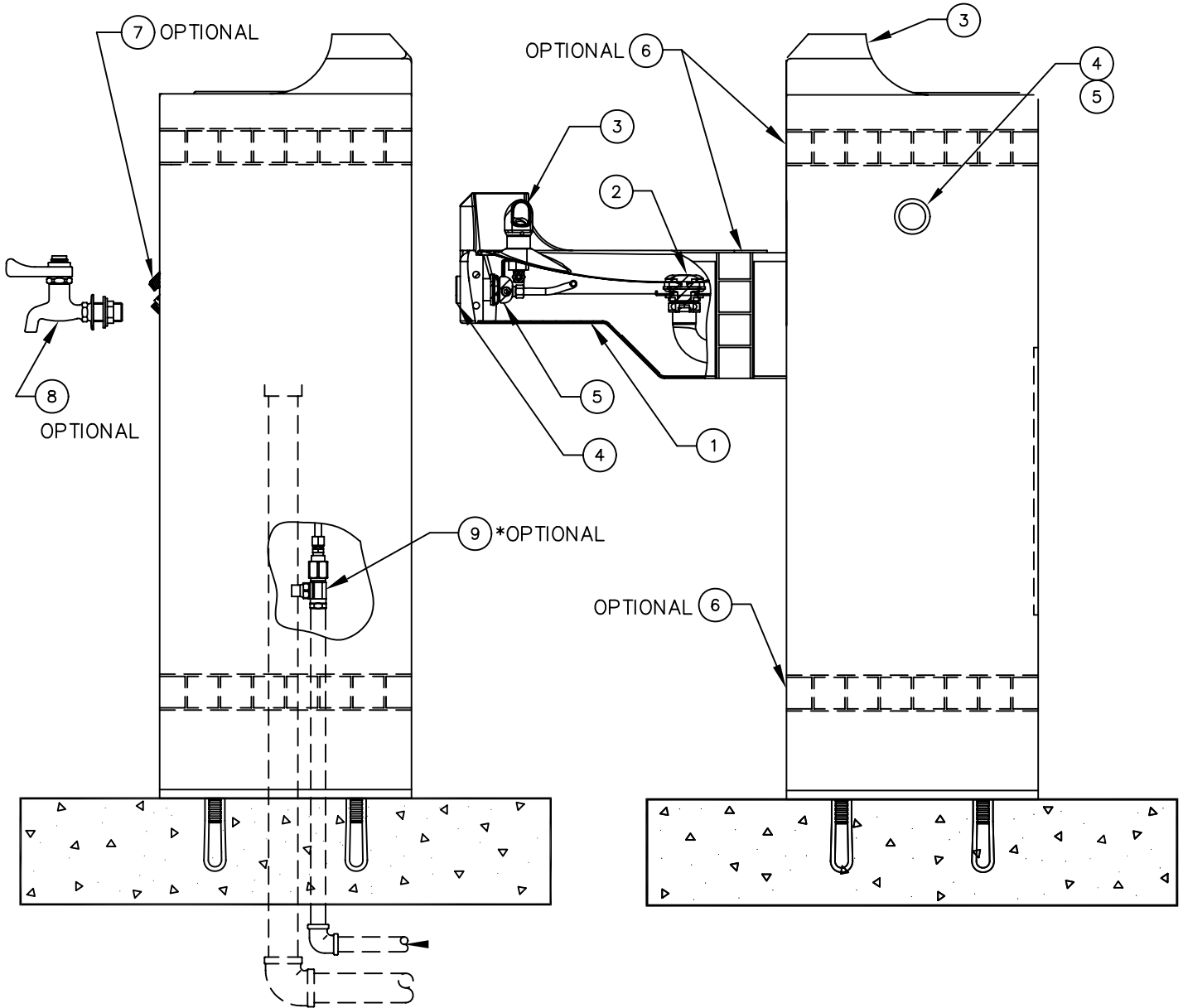



# PARTS BREAKDOWN

ITEM	DESCRIPTION
1	BOTTOM PLATE PBM1047
2	STRAINER ASSY 6466
3	BUBBLER HEAD 5703M
4	PUSH BTN ASS'Y PBA7
5	VALVE 5874
6	TILE (OPTIONAL)
7	HOSE BIB 6275 (OPTIONAL)
8	BIB 6250.60LF (OPTIONAL)
* 9	STOP ASSY, 1/2" X 1/4" 6449



PATENT NO. 353,739

<b>WHEN ORDERING PARTS PLEASE SPECIFY YOUR MODEL NUMBER</b>			1455 KLEPPE LANE SPARKS, NEVADA 89431 (775) 359-4712 FAX (775) 359-7424 E-MAIL: HAWS@HAWS.CO.COM WEBSITE: WWW.HAWS.CO.COM		
	DRAWN BY: D. OLLOM	DATE: 11/25/95	CHECK BY:	APP'VD BY:	SCALE: 1/4
	TITLE: 3150			PART NUMBER: 0002077070	
	DRAWING TYPE: PARTS BREAKDOWN			DRAWING NUMBER: 12808C00	REV. 19