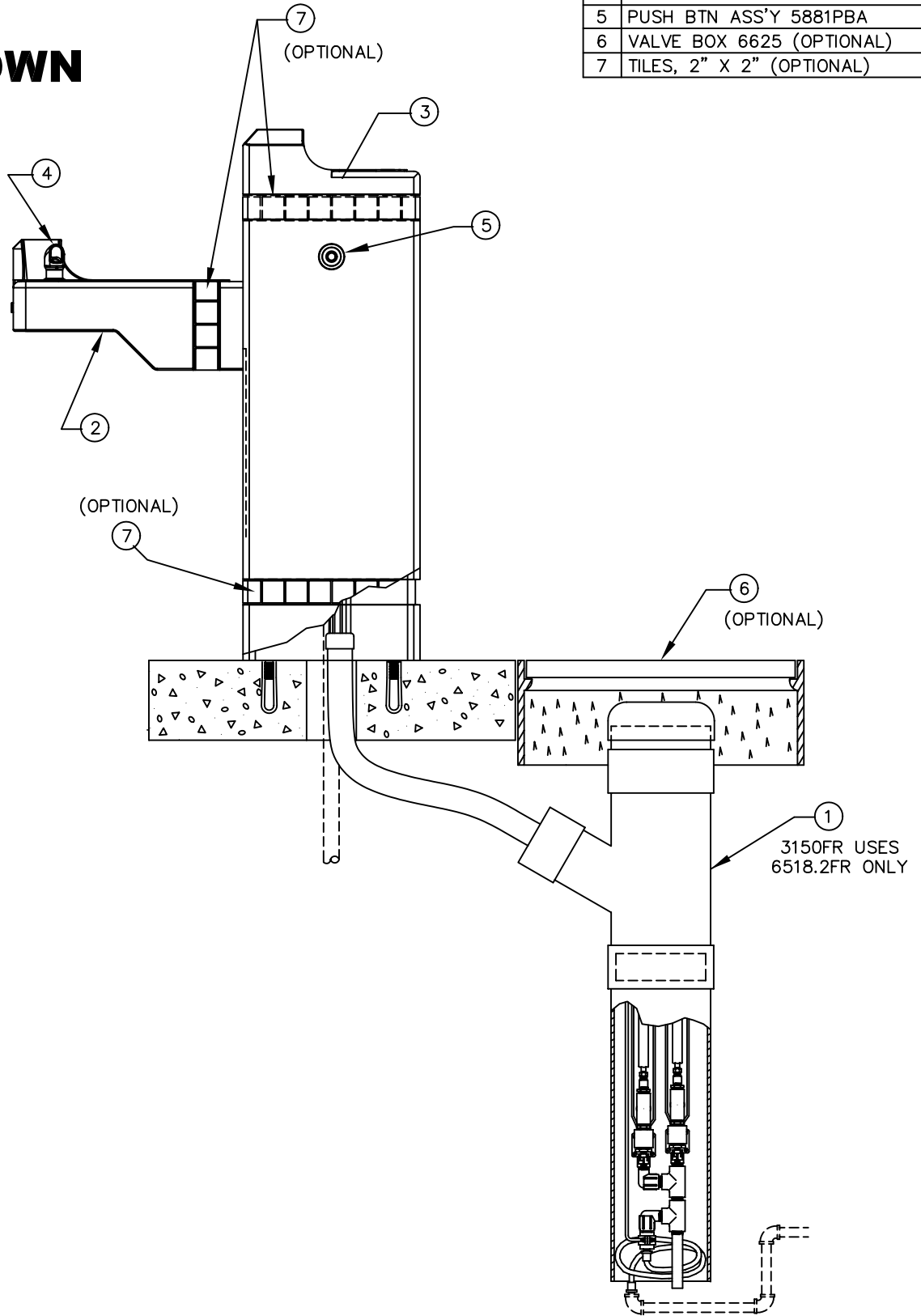


ITEM	DESCRIPTION
1	VALVE 6518.2FR
2	BOTTOM PLATE PBM1047
3	STRAINER ASSY 6466
4	BUBBLER HEAD 5703M
5	PUSH BTN ASS'Y 5881PBA
6	VALVE BOX 6625 (OPTIONAL)
7	TILES, 2" X 2" (OPTIONAL)

PARTS BREAKDOWN



WHEN ORDERING PARTS PLEASE SPECIFY YOUR MODEL NUMBER



1455 KLEPPE LANE
SPARKS, NEVADA 89431
(775) 359-4712 FAX (775) 359-7424
E-MAIL: HAWS@HAWS.CO.COM
WEBSITE: WWW.HAWS.CO.COM

DRAWN BY: D. OLLOM	DATE: 11/25/95	CHECK BY:	APPVD BY:	SCALE: 1/6
TITLE: 3150FR			PART NUMBER: 0002077073	
DRAWING TYPE: PARTS BREAKDOWN			DRAWING NUMBER: 12809C00	REV: 13

REV	DESCRIPTION	ECN	DATE	BY/APVD
13	UPDATED PER ECN	4202	6/4/09	BW
REVISIONS				