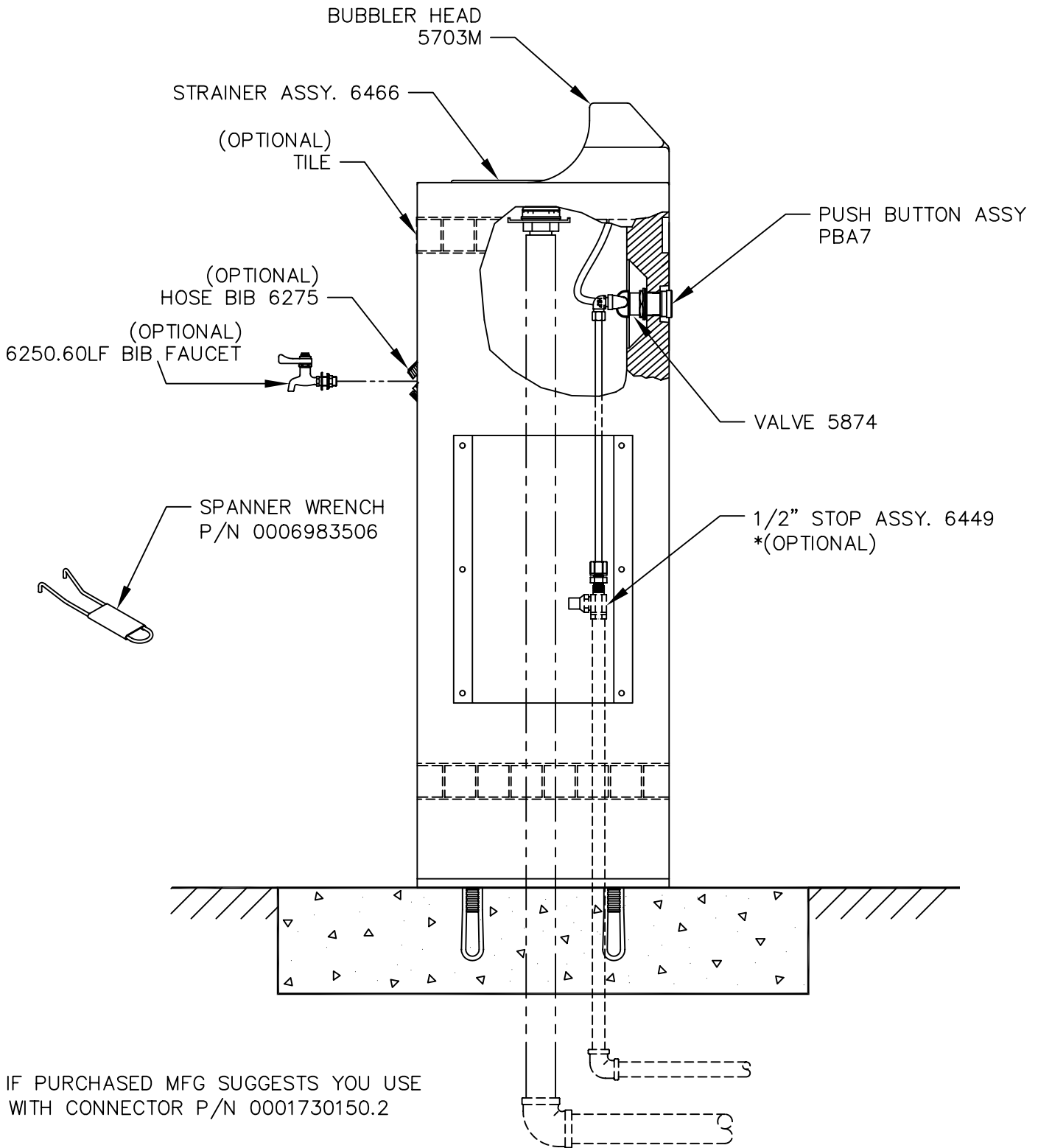



PARTS BREAKDOWN



* IF PURCHASED MFG SUGGESTS YOU USE WITH CONNECTOR P/N 0001730150.2

<p>WHEN ORDERING PARTS PLEASE SPECIFY YOUR MODEL NUMBER</p>			1455 KLEPPE LANE SPARKS, NEVADA		BACHWEG 3 CH3401 BURGENDORF SWITZERLAND	
	DRAWN BY: D. OLLOM	DATE: 11/25/95	CHECK BY:	APP'D BY:	SCALE: 1/4	
	TITLE: 3121 CONCRETE DRINKING FOUNTAIN				PART NUMBER: 0002077062	
	DRAWING TYPE: PARTS BREAKDOWN				DRAWING NUMBER: 12806C00	REV. 13