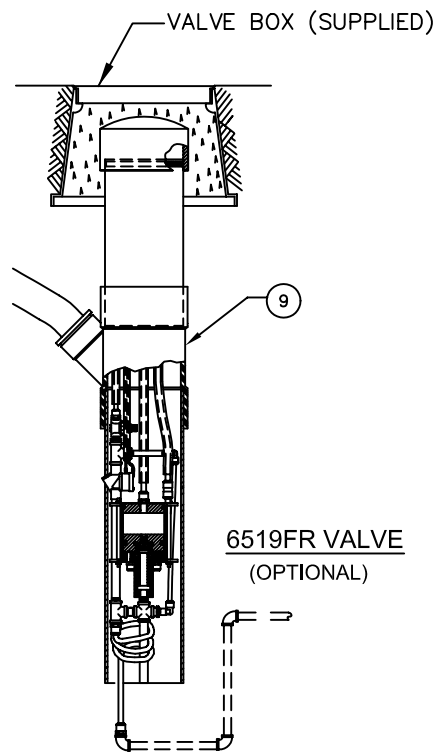
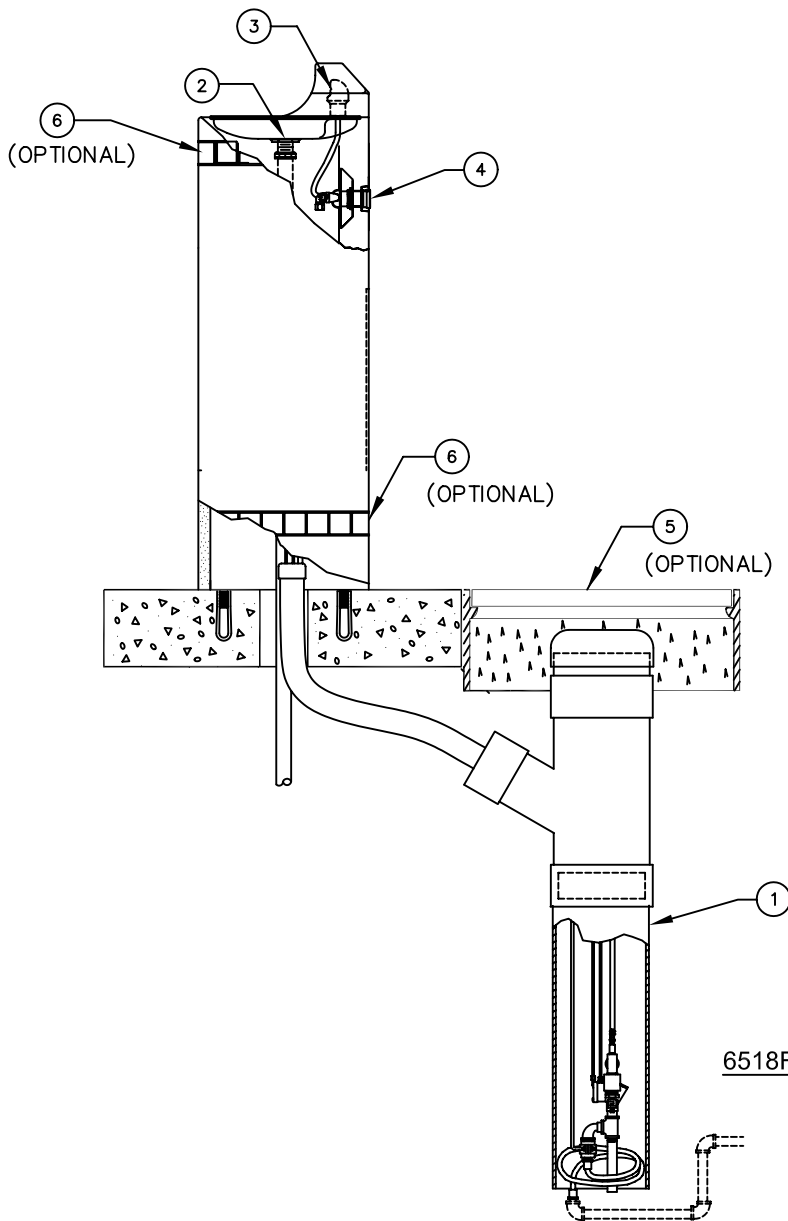


# PARTS BREAKDOWN

ITEM	DESCRIPTION
1	VALVE 6518FR
2	STRAINER ASSY 6466
3	BUBBLER HEAD 5703M
4	PUSH BTN ASS'Y 5881PBA
5	VALVE BOX 6625 (OPTIONAL)
6	TILE (OPTIONAL)
7	-
8	-
9	VALVE 6519FR (OPTIONAL)



REV	DESCRIPTION	ECN	DATE	BY/APVD
7	UPDATED PER	4202	06/24/09	HM
REVISIONS				

**WHEN ORDERING PARTS PLEASE SPECIFY YOUR MODEL NUMBER**



1455 KLEPPE LANE  
SPARKS, NEVADA 89431  
(775) 359-4712 FAX (775) 359-7424  
E-MAIL: HAWS@HAWS.CO.COM  
WEBSITE: WWW.HAWS.CO.COM

DRAWN BY: D. OLLOM	DATE: 11/25/95	CHECK BY:	APPVD BY:	SCALE: 1/8
TITLE: 3121FR/3121.6519FR			PART NUMBER: 0002077064	
DRAWING TYPE: PARTS BREAKDOWN			DRAWING NUMBER: 12807C00	REV: 7