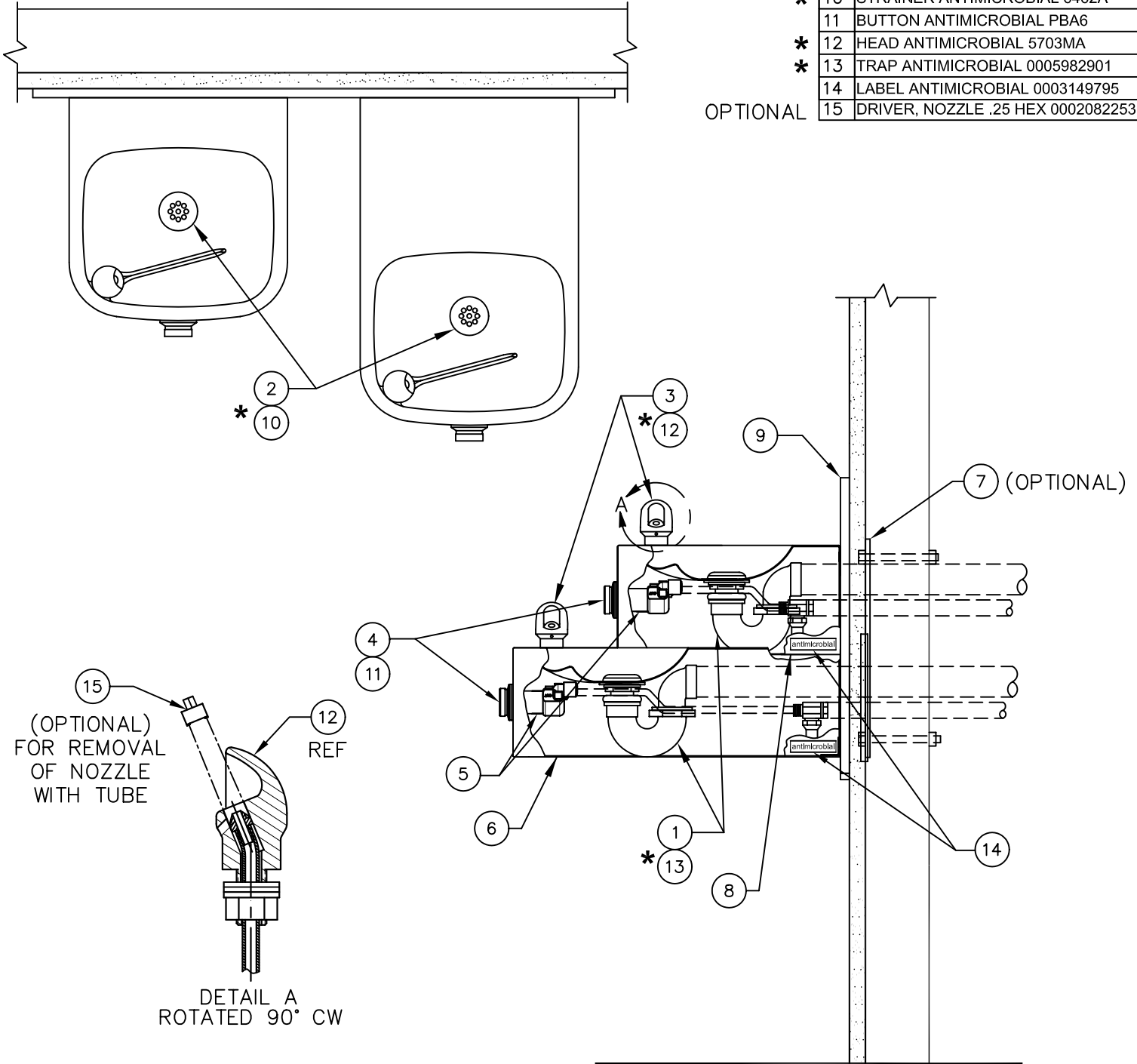



PARTS BREAKDOWN

ITEM	DESCRIPTION
1	TRAP 0005982900
2	STRAINER ASSY 6462
3	BUBBLER HEAD 5703M
4	PUSH BTN ASS'Y PBA6
5	VALVE 5874SS
6	BOTTOM PLATE PBM1109
7	MOUNTING PLATE 6700.4
8	BOTTOM PLATE PBM1105
9	BACK PANEL P/N 0004023580
* 10	STRAINER ANTIMICROBIAL 6462A
* 11	BUTTON ANTIMICROBIAL PBA6
* 12	HEAD ANTIMICROBIAL 5703MA
* 13	TRAP ANTIMICROBIAL 0005982901
14	LABEL ANTIMICROBIAL 0003149795
OPTIONAL 15	DRIVER, NOZZLE .25 HEX 0002082253



NOTE:

1. ASTERISK (*) DENOTES PARTS WITH AN ANTIMICROBIAL COATING.

WHEN ORDERING PARTS PLEASE SPECIFY YOUR MODEL NUMBER			1455 KLEPPE LANE SPARKS, NEVADA 89431 (775) 359-4712 FAX (775) 359-7424 E-MAIL: HAWS@HAWS.CO.COM WEBSITE: WWW.HAWS.CO.COM	
	DRAWN BY: F. VASQUEZ	DATE: 06/05/98	CHECK BY:	APPVD BY:
TITLE: 1119.14/1119.14A			PART NUMBER: 0002076717	
DRAWING TYPE: PARTS BREAKDOWN			DRAWING NUMBER: 13380C00	REV: 13

REV	DESCRIPTION	ECN	DATE	BY/APVD
13	UPDATED PER ECN	4394	02/10/10	HM
REVISIONS				