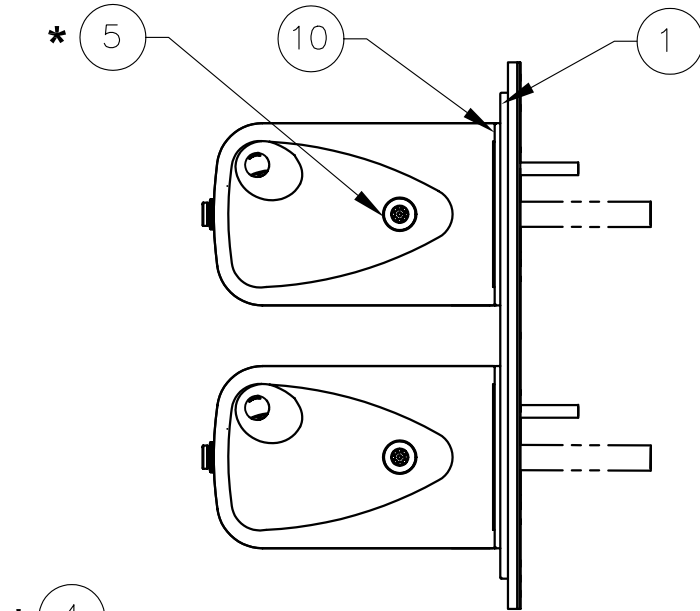
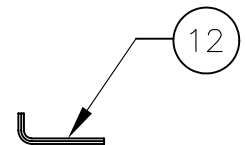
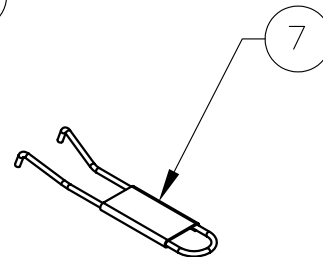
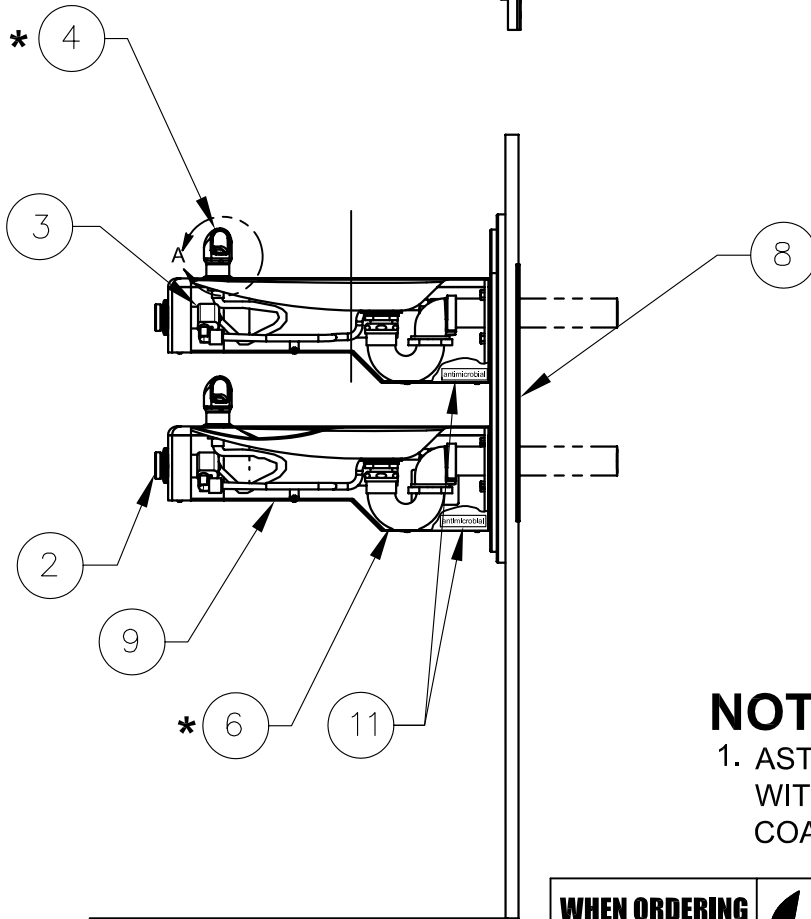
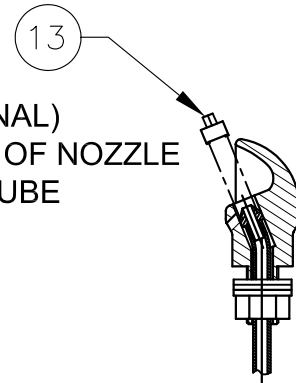


PARTS BREAKDOWN

ITEM	DESCRIPTION
1	BACK PANEL P/N 0004023590
2	BUTTON PBA6
3	VALVE 5874SS
*	4 HEAD ANTIMICROBIAL 5703MA
*	5 STRAINER ANTIMICROBIAL 6462A
*	6 TRAP ANTIMICROBIAL 0005982901
7	SPANNER WRENCH P/N 0006983506
8	MOUNTING PLATE 6717
9	BOTTOM PLATE P/N 0004449315
10	SMALL BACK PANEL P/N 0004023587
11	LABEL ANTIMICROBIAL 0003149795
12	KEY HEX F/PINNED HEX 0002981127
13	DRIVER, NOZZLE .25 HEX 0002082253



(OPTIONAL)
FOR REMOVAL OF NOZZLE
WITH TUBE



NOTE:

1. ASTERISK (*) DENOTES PARTS WITH AN ANTIMICROBIAL COATING.

**WHEN ORDERING
PARTS PLEASE
SPECIFY YOUR
MODEL NUMBER**



1455 KLEPPE LANE
SPARKS, NEVADA 89431
(775) 359-4712 FAX (775) 359-7424
E-MAIL: HAWS@HAWS.CO.COM
WEBSITE: WWW.HAWS.CO.COM

DRAWN BY: C. FENNER	DATE: 10/26/06	CHECK BY:	APPRD BY:	SCALE: 1/1
TITLE: 1117L			PART NUMBER: 0002080223	
DRAWING TYPE: PARTS BREAKDOWN			DRAWING NUMBER: 15268A00	REV: 9