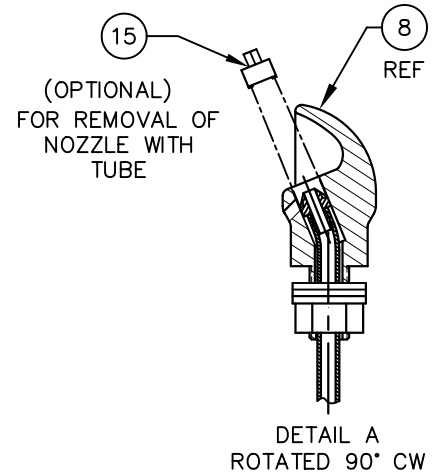
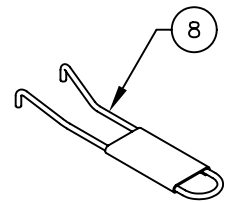
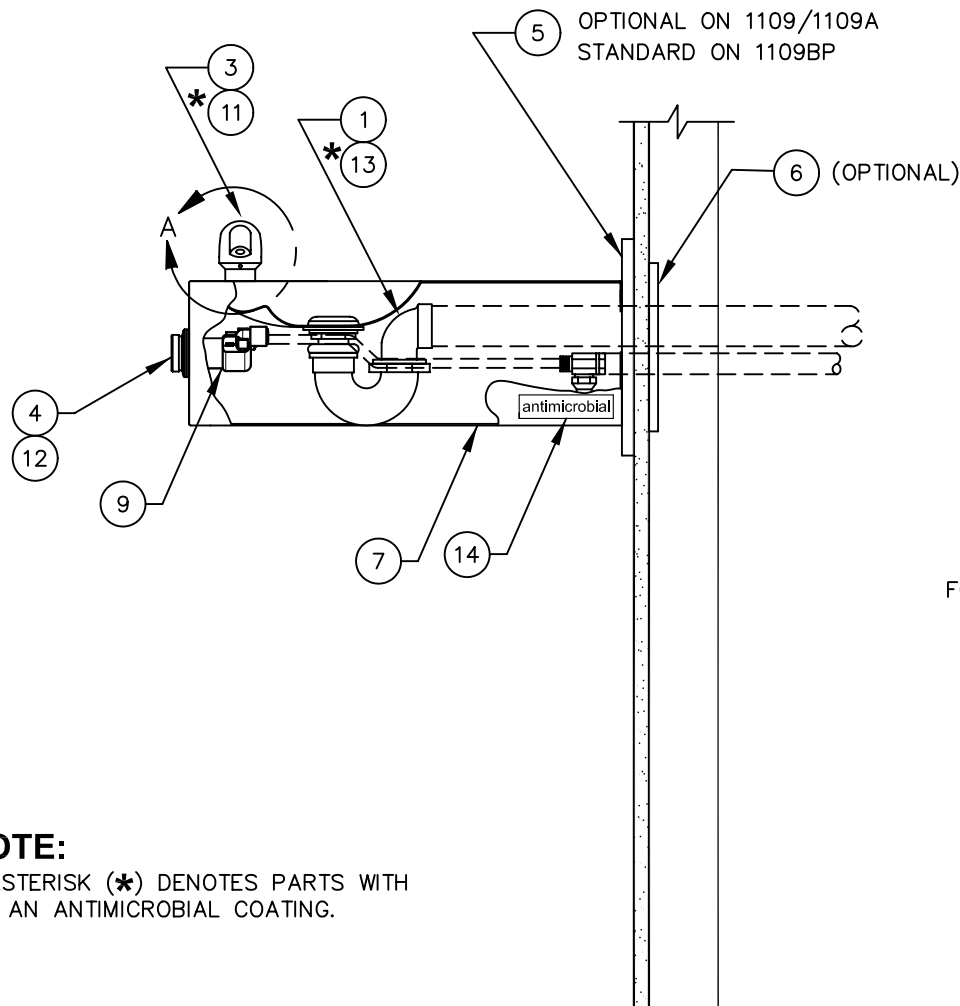
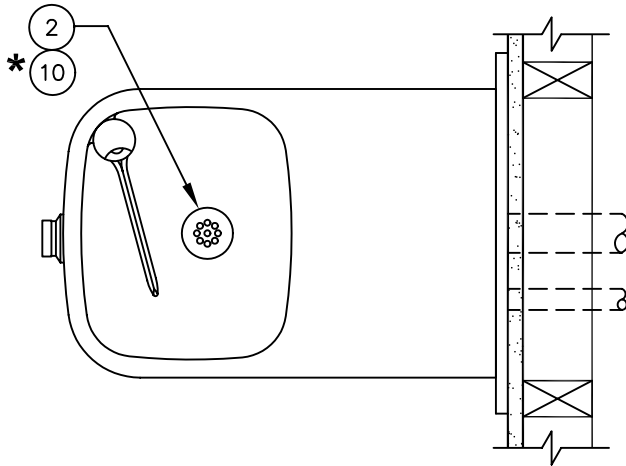


PARTS BREAKDOWN

ITEM	DESCRIPTION
1	TRAP 0005982900
2	STRAINER ASSY 6462
3	BUBBLER HEAD 5703M
4	PUSH BTN ASS'Y PBA6
5	BACK PANEL BP3
OPTIONAL 6	MOUNTING PLATE 6700
7	ACCESS PLATE PBM1109
8	SPANNER WRENCH P/N 0006983506
9	VALVE 5874SS
* 10	STRAINER ANTIMICROBIAL 6462A
* 11	HEAD ANTIMICRIBAL 5703MA
12	BUTTON PBA6
* 13	TRAP ANTIMICRIBAL 0005982901
OPTIONAL 14	LABEL ANTIMICRIBAL 0003149795
OPTIONAL 15	DRIVER, NOZZLE .25 HEX 0002082253



NOTE:

1. ASTERISK (*) DENOTES PARTS WITH AN ANTIMICROBIAL COATING.

WHEN ORDERING PARTS PLEASE SPECIFY YOUR MODEL NUMBER



1455 KLEPPE LANE
SPARKS, NEVADA 89431
(775) 359-4712 FAX (775) 359-7424
E-MAIL: HAWS@HAWS.CO.COM
WEBSITE: WWW.HAWS.CO.COM

DRAWN BY: F. VASQUEZ	DATE: 03/17/98	CHECK BY:	APP'VD BY:	SCALE: 1/4
TITLE: 1109/1109BP/1109A			PART NUMBER: 0002076620	
DRAWING TYPE: PARTS BREAKDOWN			DRAWING NUMBER: 13375C00	REV: 15