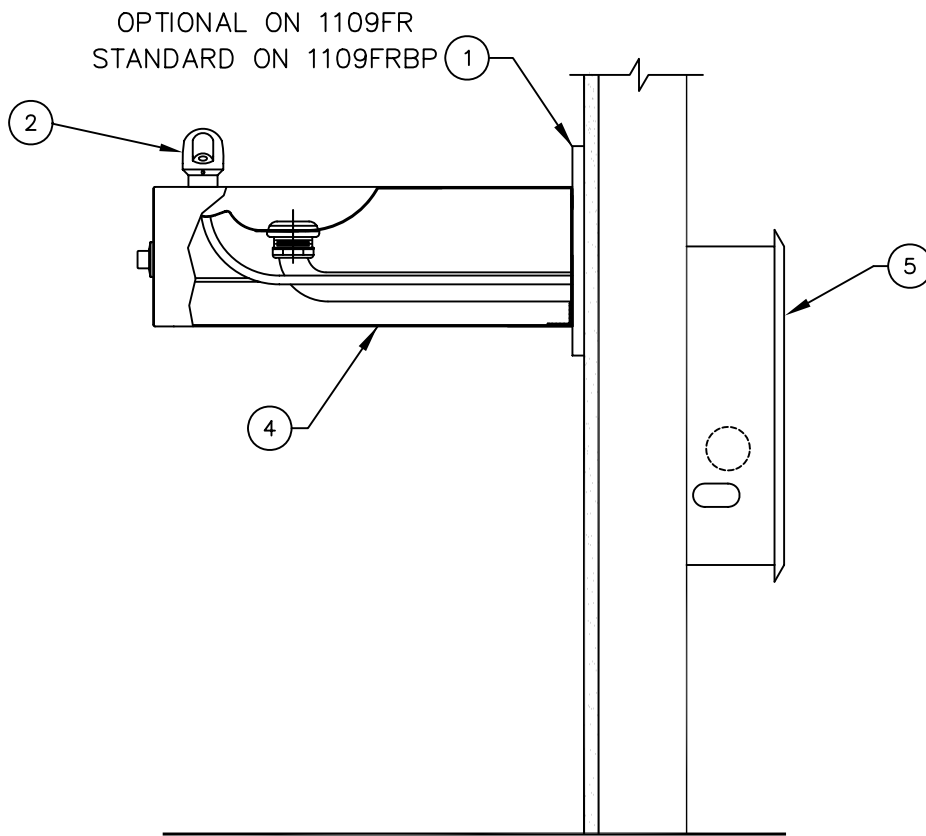
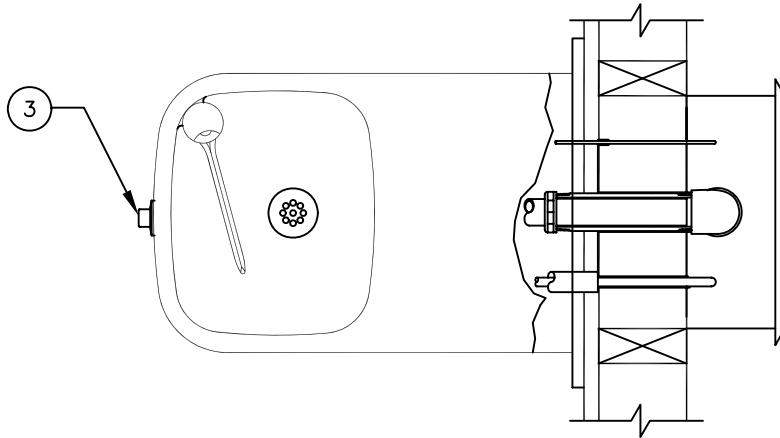



ITEM	DESCRIPTION
1	BACK PANEL BP3
2	BUBBLER HEAD 5703M
3	PUSH BTN ASS'Y 5881PBA
4	BOTTOM PLATE PBM1109
5	FREEZE RESISTANT BOX 6521FR

PARTS BREAKDOWN



<p>WHEN ORDERING PARTS PLEASE SPECIFY YOUR MODEL NUMBER</p>			1455 KLEPPE LANE SPARKS, NEVADA		BACHWEG 3 CH3401 BURGDORF SWITZERLAND	
	DRAWN BY: F. VASQUEZ	DATE: 06/05/98	CHECK BY:	APP'D BY:	SCALE: 1/4	
	TITLE: 1109FR/1109FRBP				PART NUMBER: 0002076626	
	DRAWING TYPE: PARTS BREAKDOWN				DRAWING NUMBER: 13377C00	REV. 9