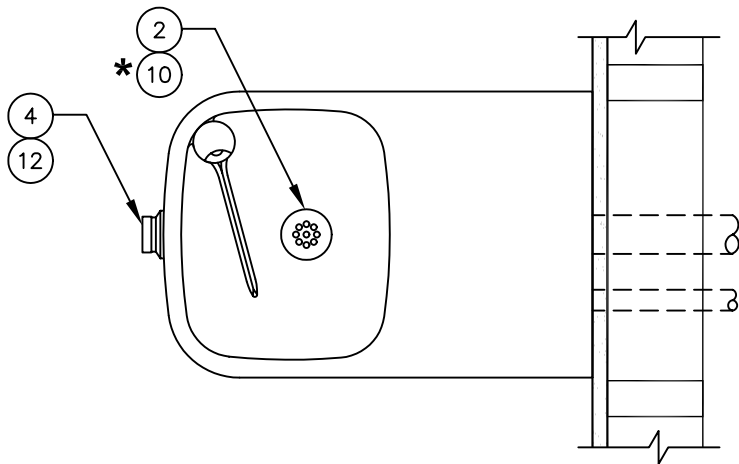


# PARTS BREAKDOWN

ITEM	DESCRIPTION
1	TRAP 0005982900
2	STRAINER ASSEMBLY 6462
3	BUBBLER HEAD 5703M
4	PUSH BUTTON ASSEMBLY PBA6
5	VALVE 5874SS
OPTIONAL	6 MOUNTING PLATE 6700
7	ACCESS PLATE PBM1109
8	SPANNER WRENCH P/N 0006983506
9	BACK PANEL BP3
*	10 STRAINER ANTIMICROBIAL 6462A
*	11 HEAD ANTIMICROBIAL 5703MA
12	BUTTON PBA6
*	13 TRAP ANTIMICROBIAL 0005982901
14	LABEL ANTIMICROBIAL 0003149795
OPTIONAL	15 DRIVER, NOZZLE .25 HEX 0002082253



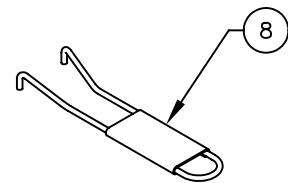
OPTIONAL

\*

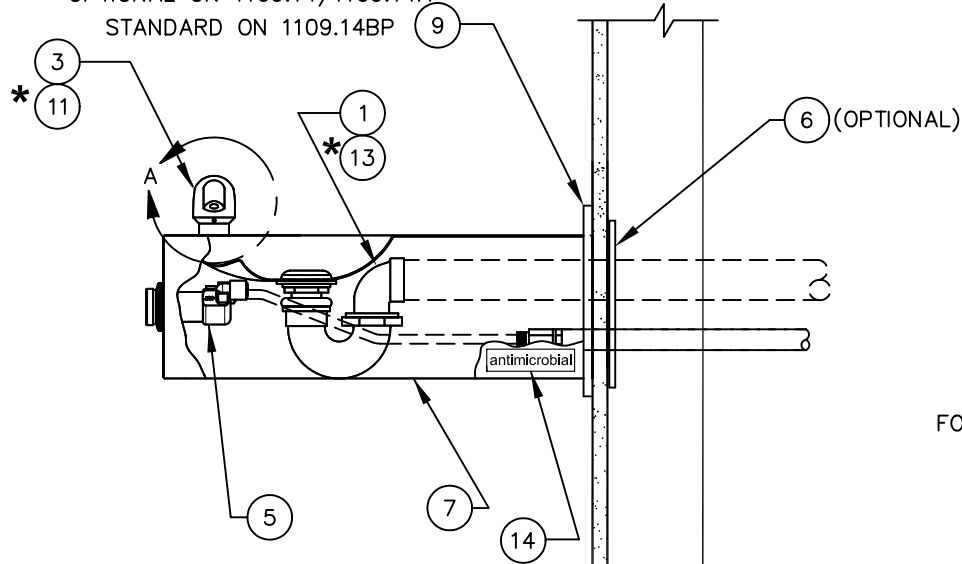
\*

\*

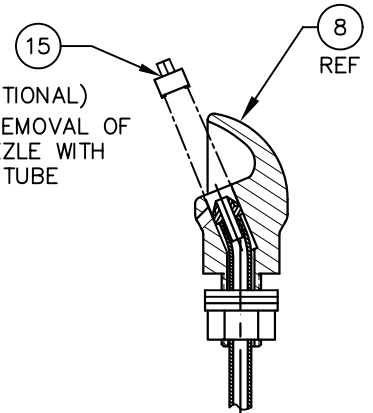
OPTIONAL



OPTIONAL ON 1109.14/1109.14A  
STANDARD ON 1109.14BP



(OPTIONAL)  
FOR REMOVAL OF  
NOZZLE WITH  
TUBE



DETAIL A  
ROTATED 90° CW

**NOTE:**

1. ASTERISK (\*) DENOTES PARTS WITH AN ANTIMICROBIAL COATING.

**WHEN ORDERING  
PARTS PLEASE  
SPECIFY YOUR  
MODEL NUMBER**



1455 KLEPPE LANE  
SPARKS, NEVADA 89431  
(775) 359-4712 FAX (775) 359-7424  
E-MAIL: HAWS@HAWS.CO.COM  
WEBSITE: WWW.HAWS.CO.COM

DRAWN BY: F. VASQUEZ	DATE: 04/23/98	CHECK BY:	APPROV BY:	SCALE: 1/4
TITLE: 1109.14/1109.14BP/1109.14A			PART NUMBER: 0002076625	
DRAWING TYPE: PARTS BREAKDOWN			DRAWING NUMBER: 13376C00	REV: 11